

095. x - x x x x x x / x x

		-	-	-					A	
				1 x 100 W	Z5c / ZK5c				B	
				1 x 2 000 W					F	
				2 x 100 W	Z6c / ZK6c				K	
				2 x 2 000 W					P	
R/I	51)	2-		4 - 20 mA	Z10g / ZK10g				S	
				0 - 20 mA					Z257b ZK257b	T
				4 - 20 mA						V
		3-		0 - 5 mA	Z269r / ZK269r	Y				
				4 - 20 mA		Q				
				0 - 20 mA		U				
3-		4 - 20 mA	Z260h / ZK260h	W						
		0 - 5 mA		Z						
R/U	51)	3-		0 - 10 V	Z257m / ZK257m				D	
				0 - 10 V					R	
CPT	51)52)	2-		4 - 20 mA	Z10g / ZK10g				I	
				0 - 5 mA					5	
		3-		4 - 20 mA	Z269r / ZK269r	J				
				0 - 5 mA	Z260m / ZK260m	6				
DCPT 3M	51)52)	2-		4 - 20 mA	Z10g / ZK10g				2	
				4 - 20 mA	Z269r / ZK269r				3	

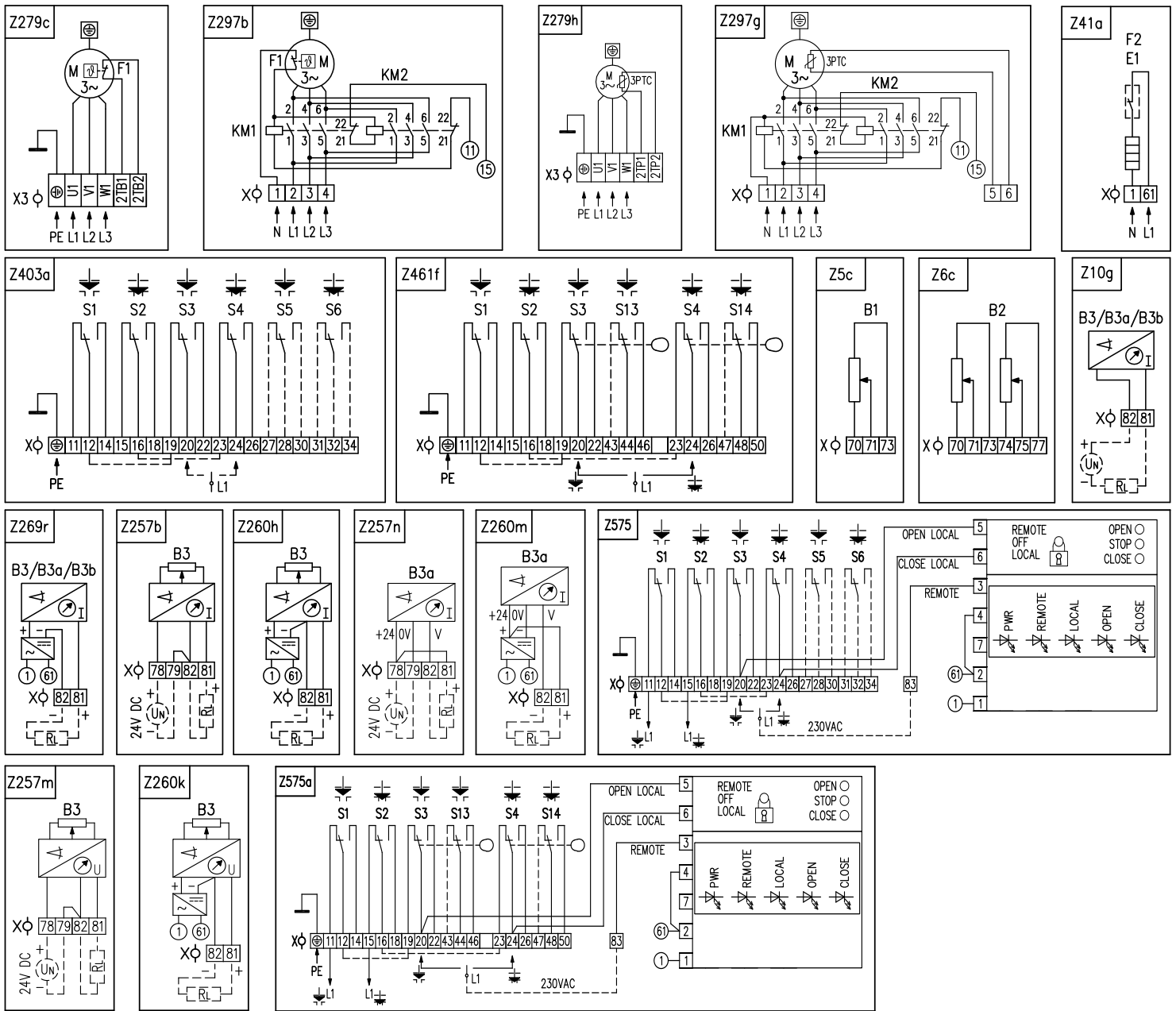
e	ISO 5210	F16	C	24/Ø55/Ø80	P-1421c	P-1422/C	C	
			D	Ø40		P-1426/D	D	
			B3	Ø40		P-1427/B	B	
			B2	Ø60		P-1427/2	2	
			C	20/Ø45/Ø60		P-1422/Q	Q	
	ISO 5210	F14	D	Ø30		P-1426/R	R	
			B3	Ø30		P-1427/L	L	
			B1	Ø60		P-1427/M	M	
			B2	Ø45		P-1427/N	N	
			A	Max. TR 52		P-1424/A	A	
e	ISO 5210	F16 F14 ⁶¹⁾	A	Max. TR 52	P-1430/V	V		
				55510	Ø220/4xM20	Ø70/Ø85 - 5	P-1423/V	G
				55510	Ø135/4xØ13 ⁶¹⁾	Ø45/Ø58 - 5	P-1423/B	U

		2,8	31						0 1
B									0 3
C									0 4
F		PTC, 150 °C				Z279h / ZK279h Z297g / ZK297g			0 5
H		e							4 0
: B+C=06, B+F=07, B+H=41, B+C+H=44, C+H=42, C+F=08, B+C+F=09									

- 1) 150°C.
- 10) ISO 9223 / EN ISO 12944-2.
- 21) -40°C.
- 25) (3x500; 3x480; 3x415 V AC).
- 31) .1.3
- 32) S2-10 min a S4-25% 90 / .
- 33) S4-25%, 90 1200 / .
- 34) 3x400 VAC.
- 44) M S3, S4
- 46) M 2,8 31 75%, -40°C.
- 51) -60°C.
- 52) CPT - , DCPT - .400 ()
- 61)

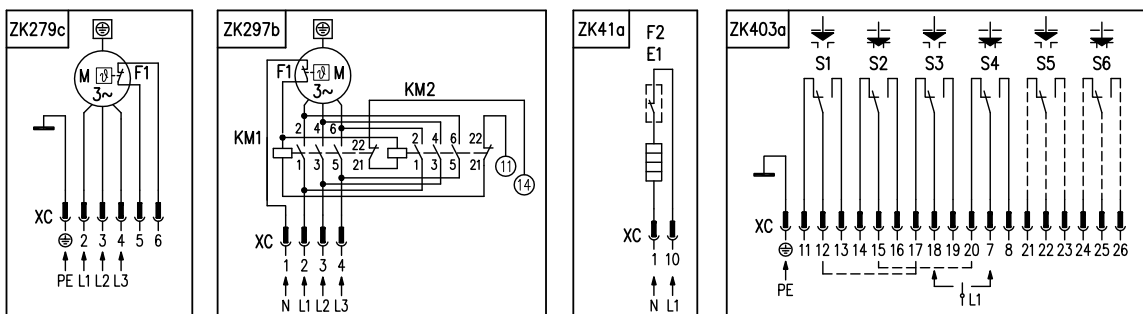
MO 3.5

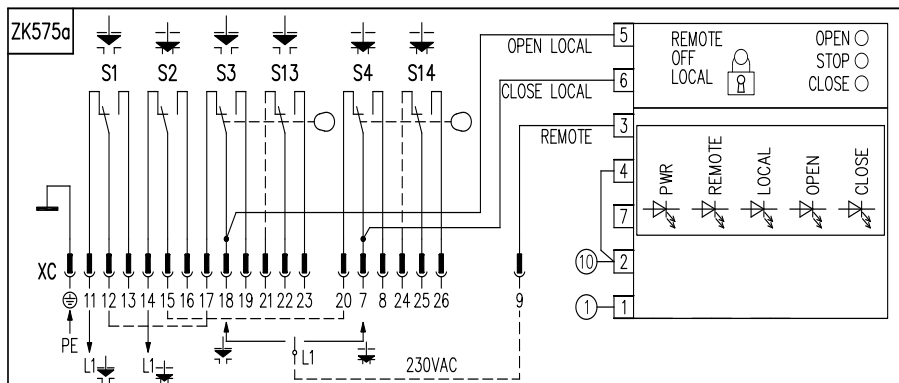
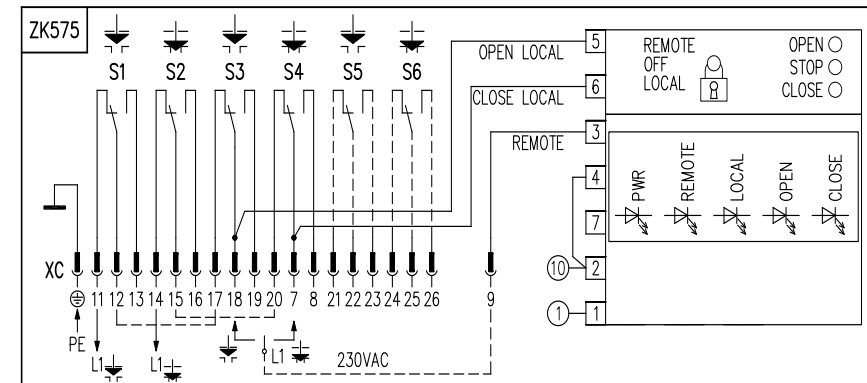
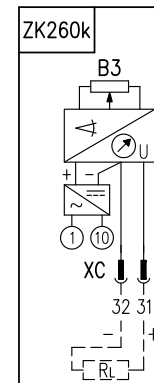
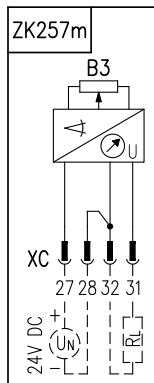
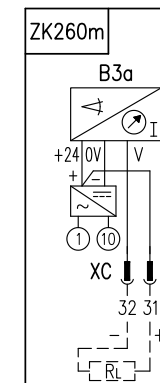
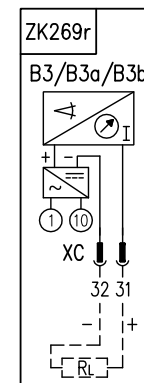
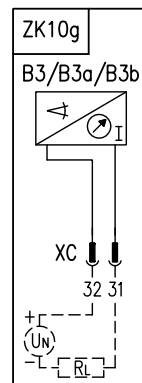
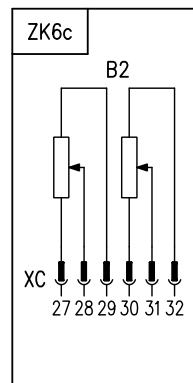
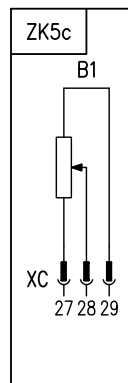
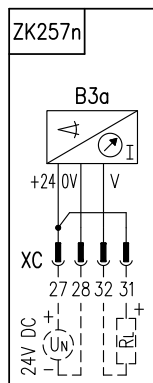
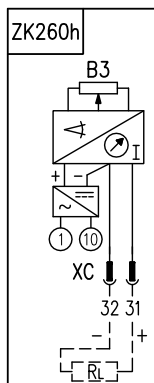
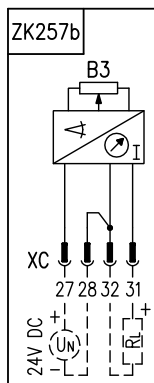
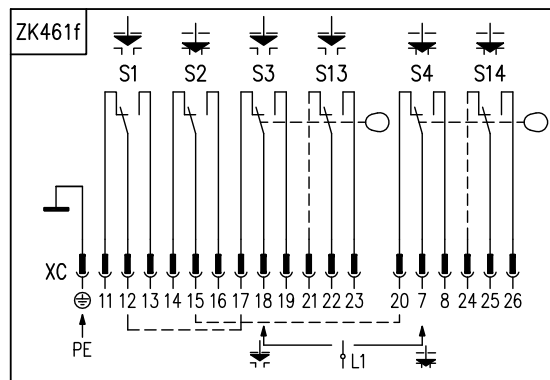
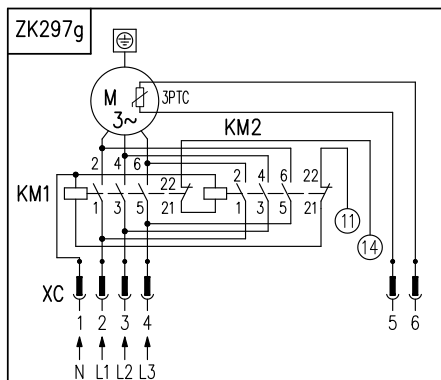
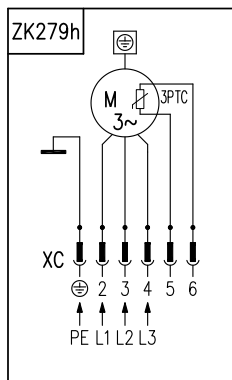
P



) 2 : M25x1,5 12,5 19 mm, (X) 32
 . 2,5 mm²
) M25x1,5 x 12,5 19 mm

P





(XC):
 - 2 : M20x1,5 -
 - 8 14,5 M25x1,5 mm -
 - 12,5 19 mm.
 - .32
 0,5 mm².

Z5c/ZK5c				
Z6c/ZK6c				
Z10g/ZK10g				
Z41a/ZK41a				
Z257b/ZK257b				
Z257m/ZK257				
Z257n/ZK257n				
Z260h/ZK260h				
Z260k/ZK260k				
Z260m/ZK260m				
Z269r/ZK269r				
Z279c/ZK279c				
Z279h/ZK279h				
Z297b/ZK297b				
Z297g/ZK297g				
Z403a/ZK403a				
Z461f/ZK461f				
Z575/ZK575				
Z575a/ZK575a				

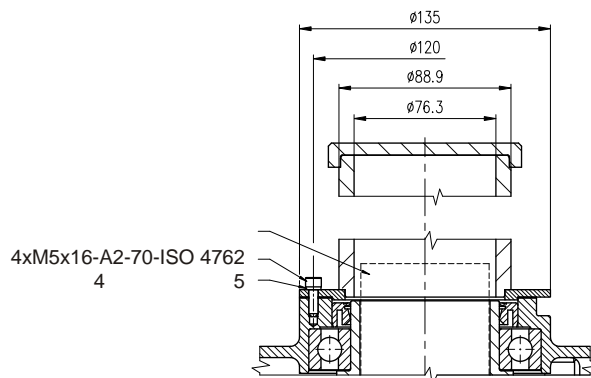
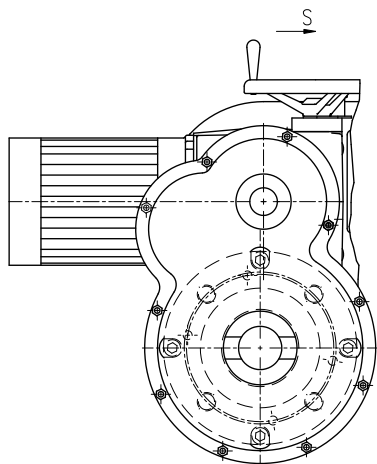
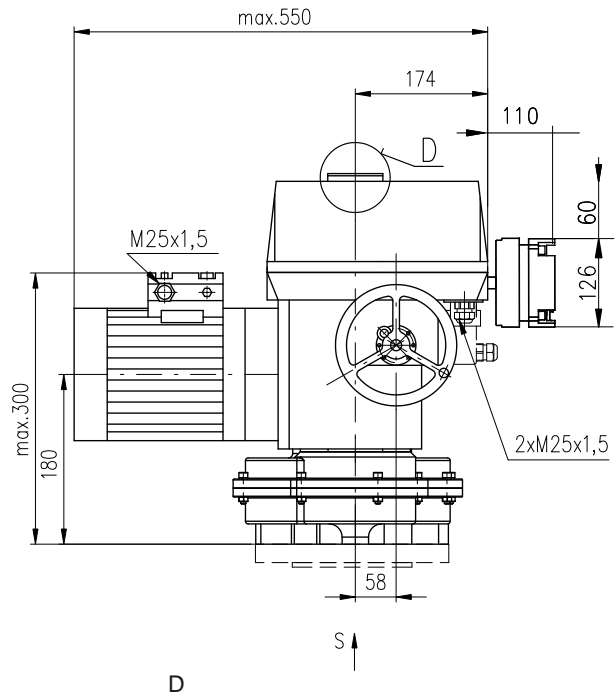
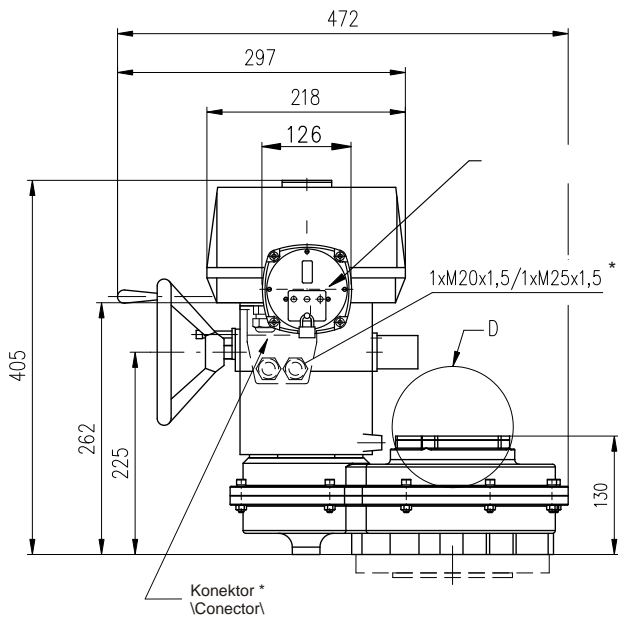
CPT DCPT 3M - 2-

CPT DCPT 3M - 2-

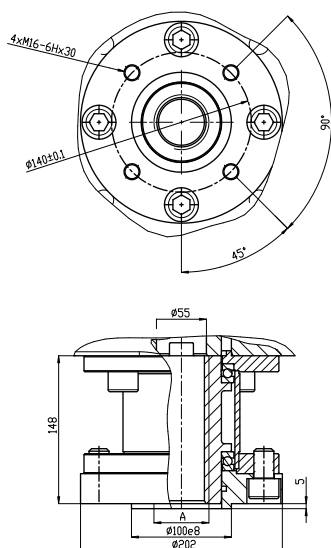
PTO
 PTC
 PTO
 PTC

B1	p	,	
B2	p	,	
B3			
B3a			- CPT
B3b			DCPT ()
E1			()
F1			()
F2			
I			
U			
KM1, KM2	e		
M			
PTC/PTO	a	a	
R _L			
REMOTE-OFF-LOCAL			-
OPEN-STOP-CLOSE			-
S1			" "
S2			" "
S3			" "
S4			" "
S5			" "
S6			" "
S13			" "
S14			" "
X			
X3			
XC			

MO 3.5



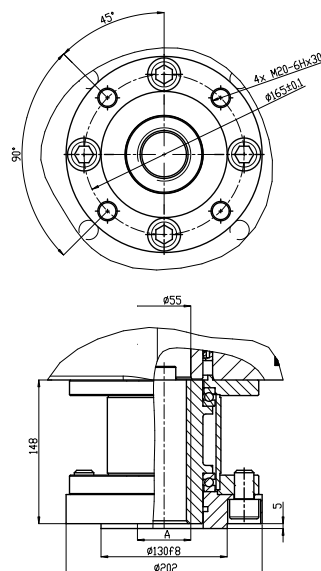
A, F14
ISO 5210



"A"

P-1430/V

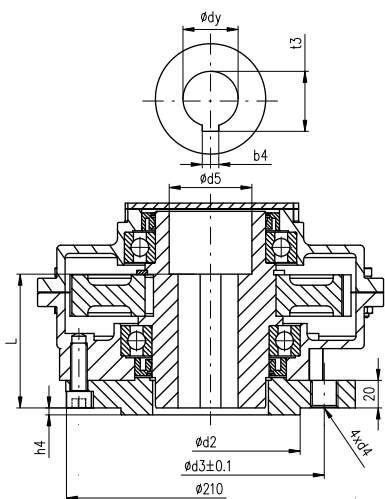
A, F16
ISO 5210



P-1424/A

P-1424/A	F16	Max. TR 52
P-1430/V	F14	Max. TR 52
		A

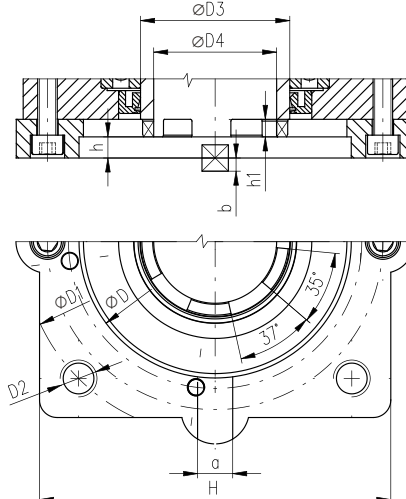
B1, B2, B3
ISO 5210



P-1427

P-1427/M	B1			60	40	18	64.4			
P-1427/N	B2	100	140	M16	45	40	14	48.6	65	
P-1427/L	B3			30	-	8	33.3		4	
P-1427/2	B2	130	165	M20	60	50	18	64.4	80	
P-1427/B	B3			40	-	12	43.3		5	
		∅d2	∅d3	d4	∅dy	∅d5	b4	t3	L	h4

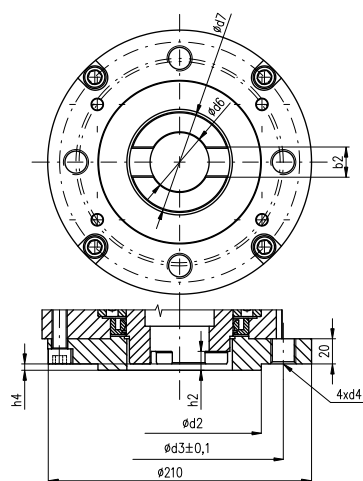
55510



P-1423

P-1423/V	B	200x200	155	12	220	M20	85	70	10	20	6
P-1423/B		122x122	108	8	135	∅13	58	45	8	-	-
		H x H	∅D	h	∅D1	D2	∅D3	∅D4	h1	a	b

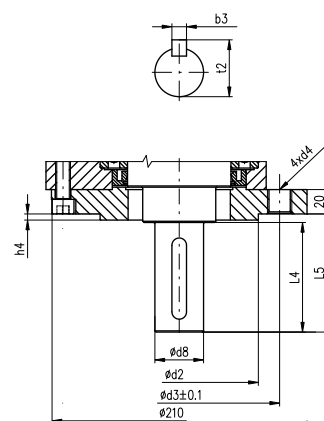
C



P-1422

P-1422/C	130	165	M20	55	80	24	15	5	
P-1422/Q	100	140	M16	45	60	20	12	4	
		d2	d3	d4	d6	d7	b2	h2	h4

D



P-1426

P-1426/D	130	165	M20	40	90	97	12	43.2	5	
P-1426/R	100	140	M16	30	70	76	8	33	4	
		d2	d3	d4	d8	L4	L5	b3	t2	h4