

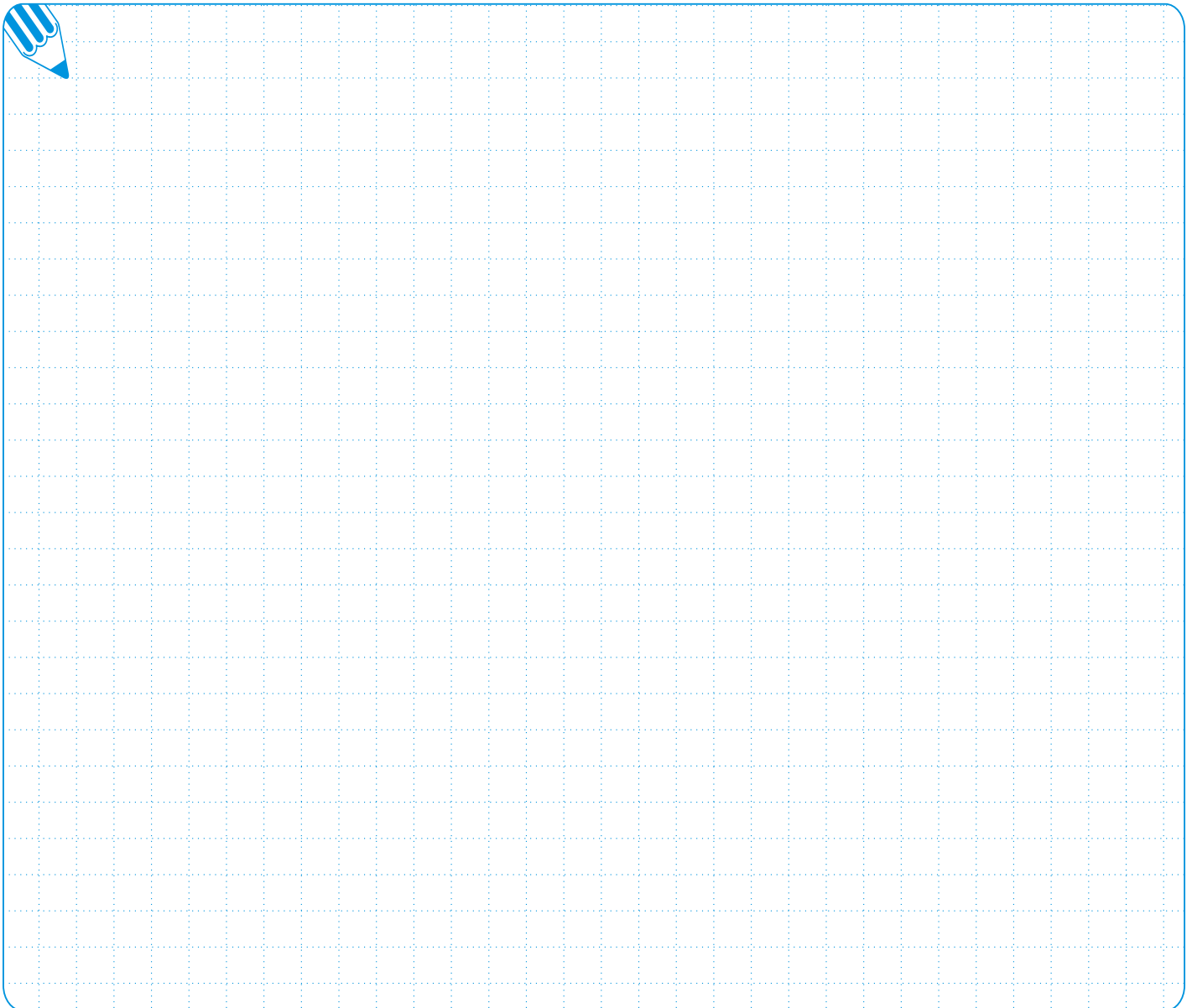


52 420. x - x x x x x / x x

	/	/	62)		
	30/100	150/-	M20x1,5 M16x1,5 M10x1	P-1045b/A; P-1045b/D	A
	74/100			P-1045b/B; P-1045b/E	B
	130/100			P-1045b/C; P-1045b/H	C
	112/100	150/80 H8		P-1046b/A; P-1046b/C	L
	110/100	150/65,15 H7		P-1046b/B; P-1046b/D	M

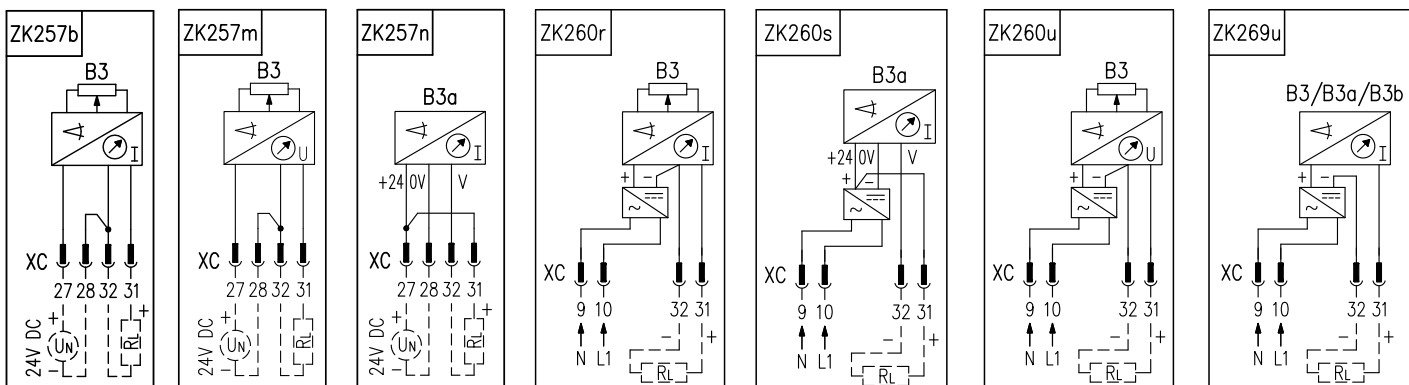
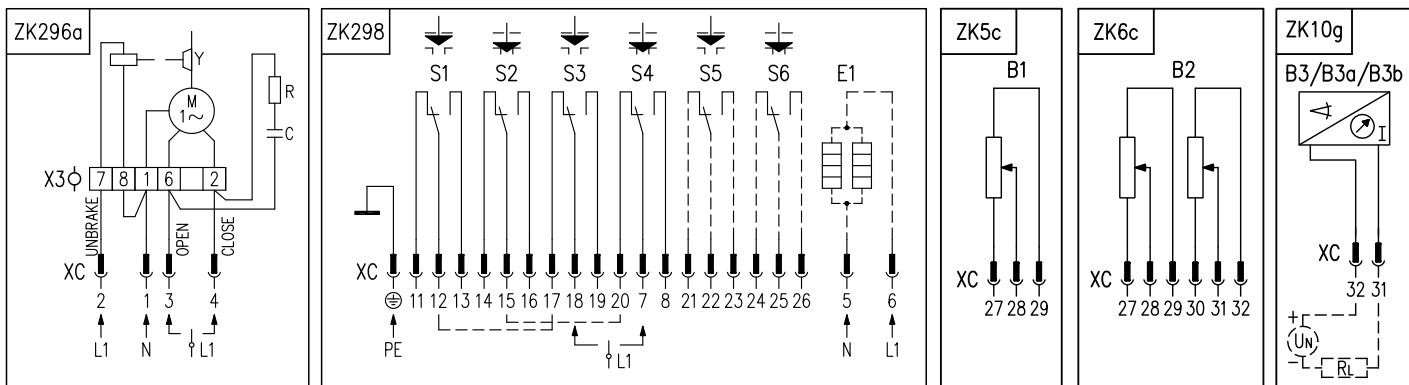
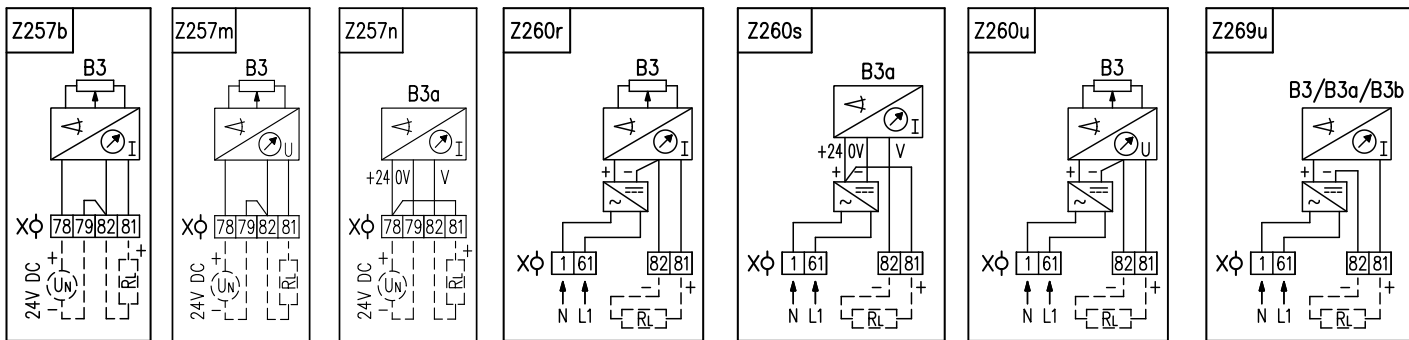
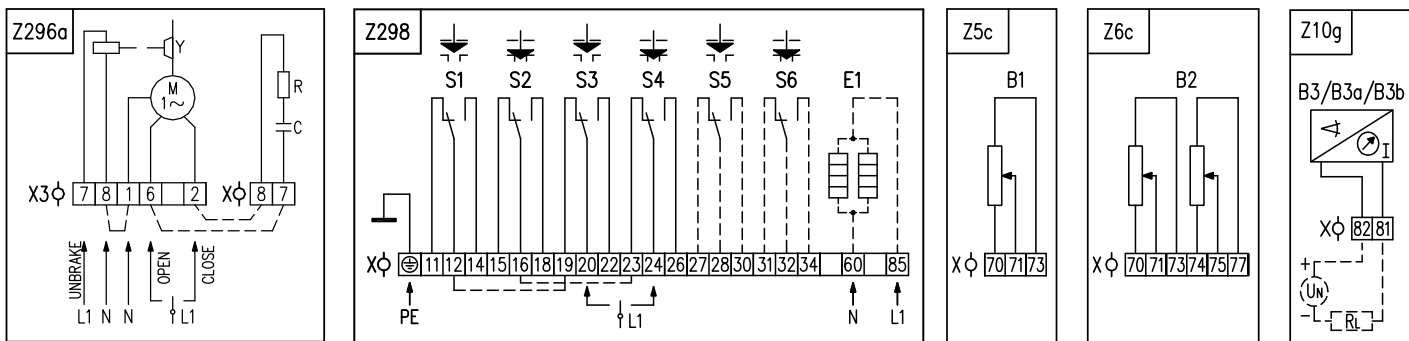
				0	1
A	2	S5, S6	Z298/ZK298	0	2
B				0	3
: A+B=07					

- 10) :
- 32) ISO 9223 / EN ISO 12944-2.
- 33) :
- 0.8 S2-10 S4-25%, 6-90 /
- 0.6 S4-25%, 90-1200 ( / )
- 52) CPT- , DCPT-
- 62)



MTR

P

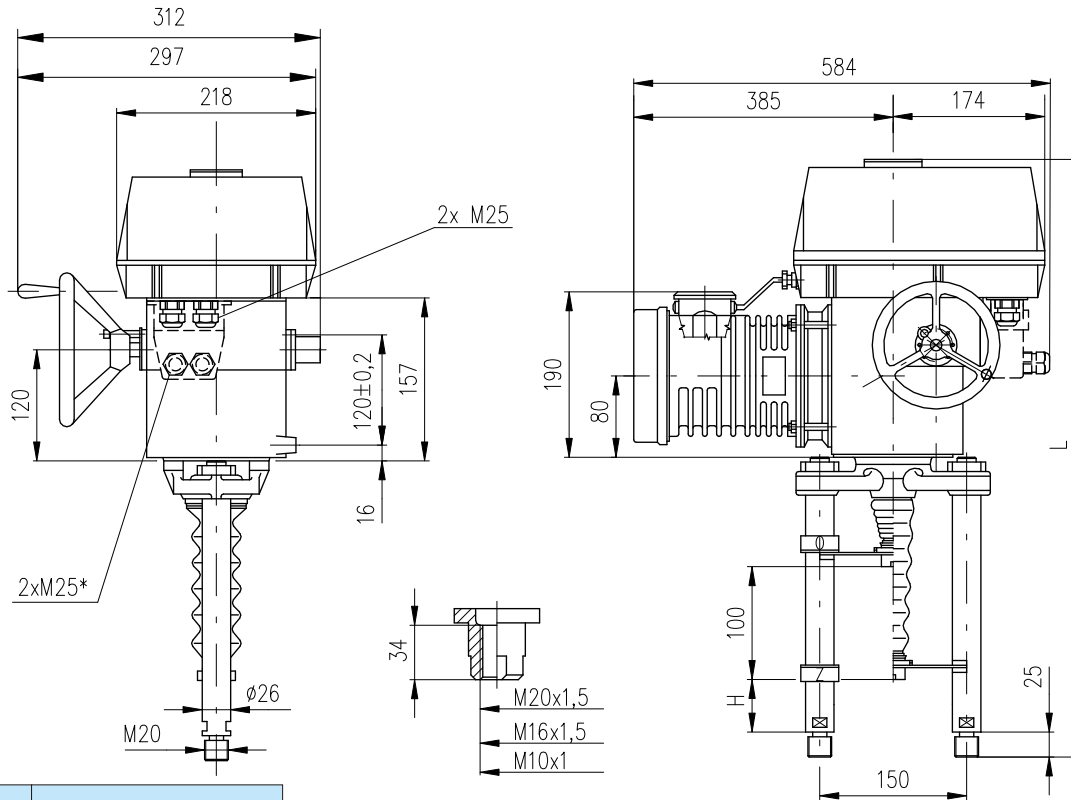


12,5 19 mm. 32 : . 2,5 mm<sup>2</sup>, 3 M25x1,5  
 1. :  
 2. X3:6-X:7 X3:2-X:8 32, Z296 ( )  
 3. 230 VAC 7 8 X3.

:  
 Z5c/ZK5c ..... ,  
 Z6c/ZK6c ..... ,  
 Z10g/ZK10g ..... CPT - 2-  
 Z257b/ZK257b ..... , 3-  
 Z257m/ZK257m ..... , 3-  
 Z257n/ZK257n ..... CPT, 3-  
 Z260r/ZK260r ..... , 3-  
 Z260u/ZK260u ..... , 3-  
 Z260s/ZK260s ..... CPT, 3-  
 Z269u/ZK269u ..... , 2-  
 Z296a/ZK296a .....  
 Z298/ZK298 .....

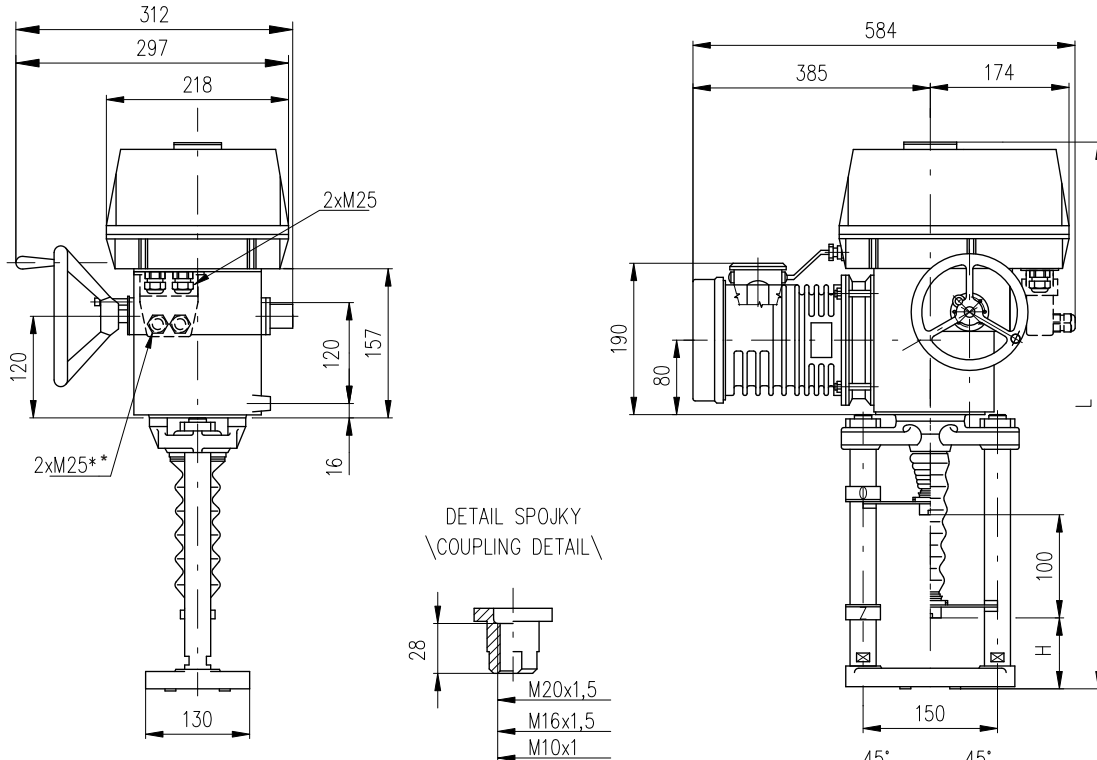
:  
 B1 ..... p ,  
 B2 ..... p ,  
 B3 .....  
 B3a ..... - CPT  
 B3b ..... DCPT ( )  
 S1 ..... " " " "S3 " "  
 S2 ..... " " " " " "  
 S4 ..... " " " " " "  
 S5 ..... " " " " " "  
 S6 ..... " "M  
 .....  
 Y .....  
 E1 .....  
 X .....  
 X3 .....  
 I .....  
 U .....  
 R .....  
 R<sub>L</sub> .....

MTR

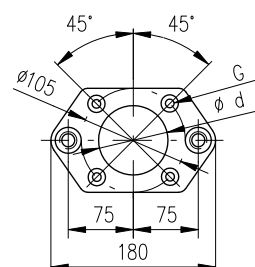


P-1045b/C	130	680	P-1045b/H	130	702
P-1045b/B	74	622	P-1045b/E	74	646
P-1045b/A	30	578	P-1045b/D	30	602
	H	L		H	L

P-1045b



P-1046b/B	656	65.15 H7	-	110	P-1046b/D	678	65.15 H7	-	110
P-1046b/A		80 H8	4x Ø13	112	P-1046b/C		80 H8	4x Ø13	112
	L	d	G	H		L	d	G	H



P-1046b