



SP 2

- 220 V AC
- 2
- 2
-
-
-
-
-
-

ISO 5211

IP 67

282.	x	-	x	x	x	x	x	/	x	x
------	---	---	---	---	---	---	---	---	---	---

		10)		↓		
/	o	e				
3.1	-25°C ... +55°C		C3	IP 67	1	
	-25°C ... +55°C		C3	IP 68 ¹¹⁾	5	
B2	+	-25°C ... +55°C		C4	IP 67	2
2	-50°C ... +40°C		C3	IP 67	3	
2	-25°C ... +55°C		C3	IP 67	6	
1	-50°C ... +40°C		C4	IP 67	7	
2	-60°C ... +40°C		C3	IP 67	8	

		↓			
230 V AC		Z1a + Z11a	0		
220 V AC		L			
3x400 V AC		Z78a + Z12a ²²⁾	9		
3x400 V AC ²⁸⁾		Z303 + Z12a ²²⁾	2		
3x380 V AC		Z78a + Z12a ²²⁾	M		
3x380 V AC ²⁸⁾		Z303 + Z12a ²²⁾	N		
24 V AC		Z507a	3		
24 V DC		Z503a	A		
21)		Z1a + Z11a		5	
		220 V AC		P	
		3x400 V AC		Z78a + Z12a ²²⁾	7
		3x400 V AC ²⁸⁾		Z303 + Z12a ²²⁾	6
		3x380 V AC		Z78a + Z12a ²²⁾	R
		3x380 V AC ²⁸⁾		Z303 + Z12a ²²⁾	S
		24 V AC		Z507a	C
		24 V DC		Z503a	8

		33)		34)			↓	
		230 V, 220 V AC		3x380, 3x400 V AC, 24 V AC/DC				
72 Nm	63 Nm	5 s/90°		60 W	5 s/90°	65 W, 24 V AC/DC	90 W 3x400 V AC	0
145 Nm	125 Nm	10 s/90°		60 W	10 s/90°	-	-	1
		20 s/90°			20 s/90°			2
		40 s/90°		20 W	40 s/90°			3
		80 s/90°			-			-

↓	
60°	A
90°	B
120°	C
160°	D
60°	K
90°	L
120°	M
160°	N
360°	P
> 0°L 360° ⁴¹⁾	Z

282.	x	-	x	x	x	x	x	/	x	x
------	---	---	---	---	---	---	---	---	---	---

		-	-	A
	22)	-	1 x 100 W	Z5a
		-	1 x 2 000 W	Z5a
	22)	-	2 x 100 W	Z6a
		-	2 x 2 000 W	Z6a
R/I		2-	4 - 20 mA	Z10a
		3-	0 - 20 mA	Z257b
			4 - 20 mA	
	59)	2-	0 - 5 mA	Z260a
		3-	4 - 20 mA	
			0 - 5 mA	
CPT	59)	2-	4 - 20 mA	Z10a
				Z269a

		ISO		
ISO 5211	F05/F07	D-17	17x17	A
		L-17		B
		H-17		C
		V-16	Ø16 ⁶²⁾	8
		V-28	Ø28 ⁶²⁾	D
		H-11	11x18	N
		D-16	16x16	R
		L-16		S
		D-14	14x14	E
		L-14		F
		H-14	14x22	G
		V-22	Ø22 ⁶²⁾	H
		V-30	Ø30 ⁶³⁾	V
		-	Ø8 ⁶⁴⁾	W
	H-13	13x19	Z	
F10	V-20	Ø20	P-2068	9
	-	Ø25	P-1162, P-0210 P-2148/E	J
	-	-		K
	-	-		L

		230 V AC	3x400 V AC	24 V AC	24 V DC		
A	2	Z11a	Z12a	Z507a	Z503a	0	0
E		Z1a	Z78a	Z507a	Z503a	0	2
C	(-40 °C)	Z270i	Z90c, Z304a	Z509a	Z505a	0	7
D		Z1a	Z78a	Z507a	Z503a	1	5
H	e					4	0

A+E=04, A+C=08, E+C=10, A+E+C=12, A+D=16, C+D=17, A+C+D=18

- 10) : ISO 9223/EN ISO 12944-2.
- 11) IP 68 - 10 / 48
- 21) -40°
- 22) 3x400 (380)
- 28)
- 33) S2-10 min, S4-25%, 6-90 / 0.8
- 34) S4-25%, 90 - 1200 / 50% +30% ±10%
- 41) D
- 59) 24VAC/DC, ()
- 62)
- 63) Ø8.
- 64)

SP 2

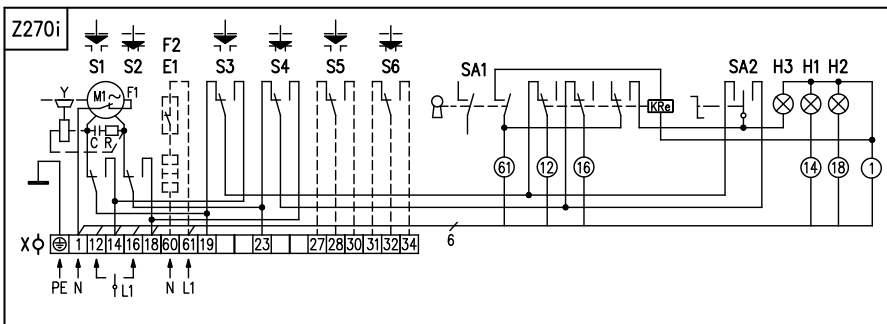
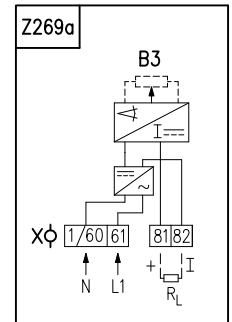
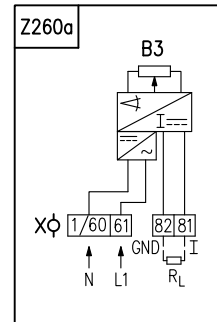
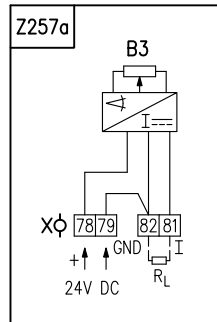
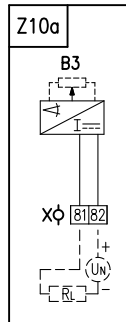
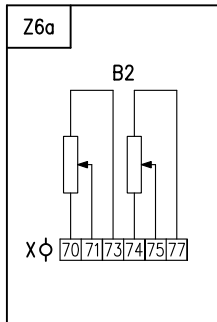
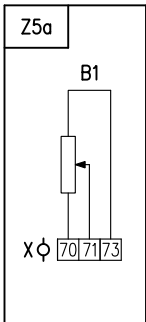
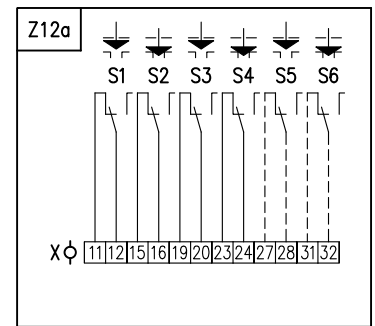
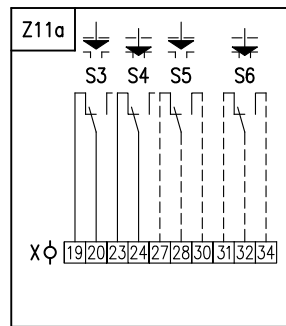
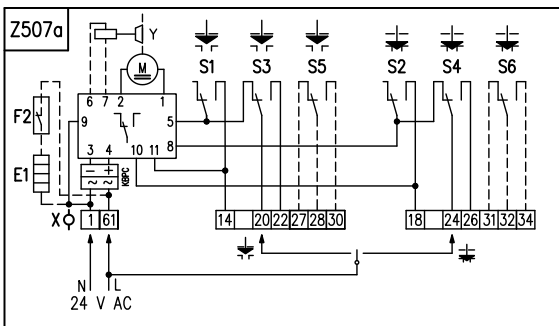
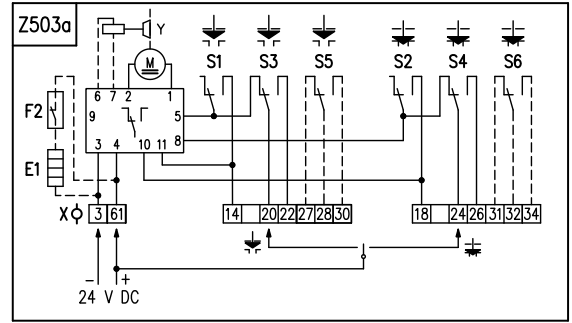
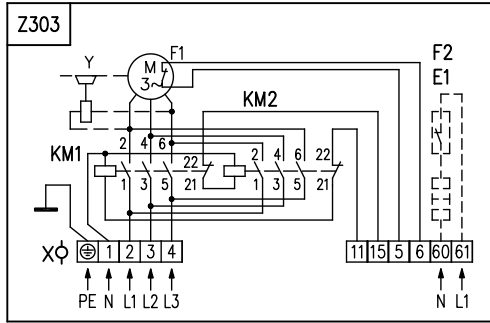
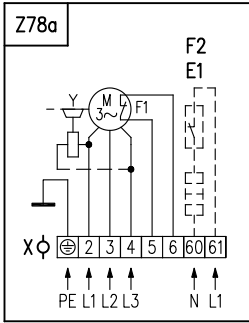
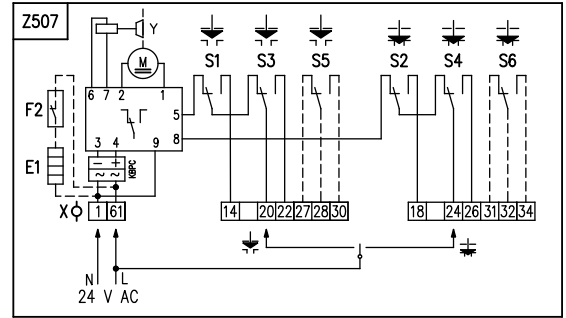
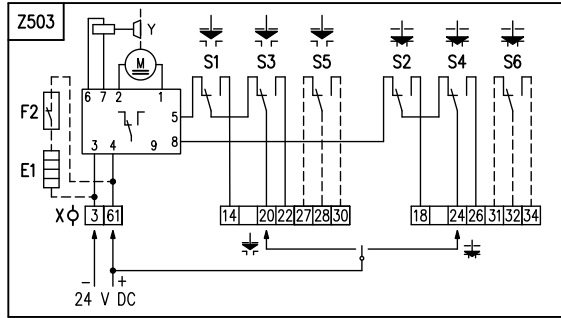
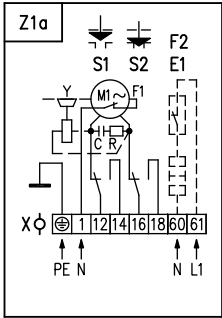
. 28 - 30

24

. 2,5 mm², 3

- M20x1,5 8 14,5 mm (1)
- M16x1,5 6 10,5 mm (2)

SP 1, SP 2, SP 2.3, SP 2.4

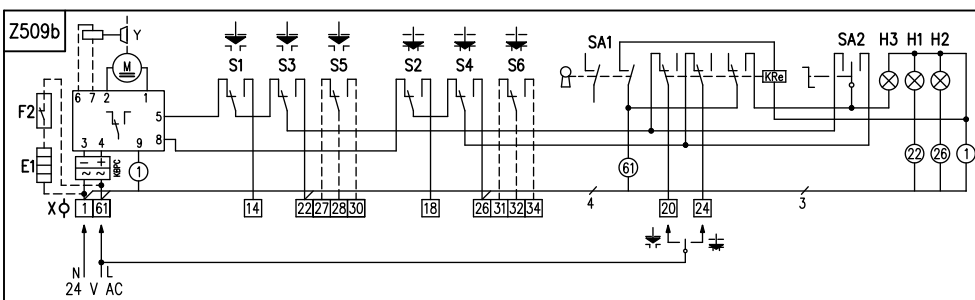
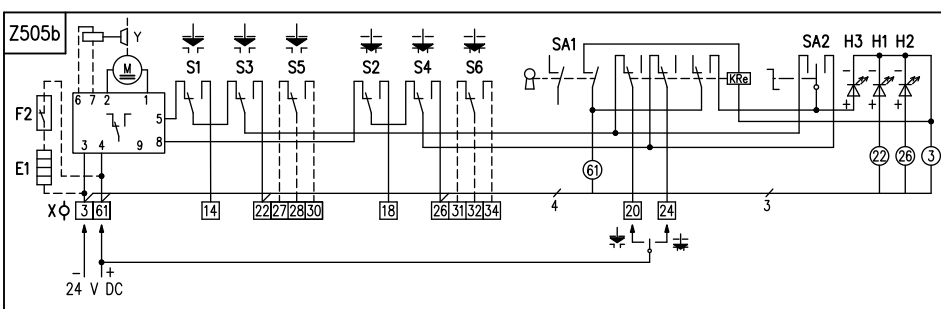
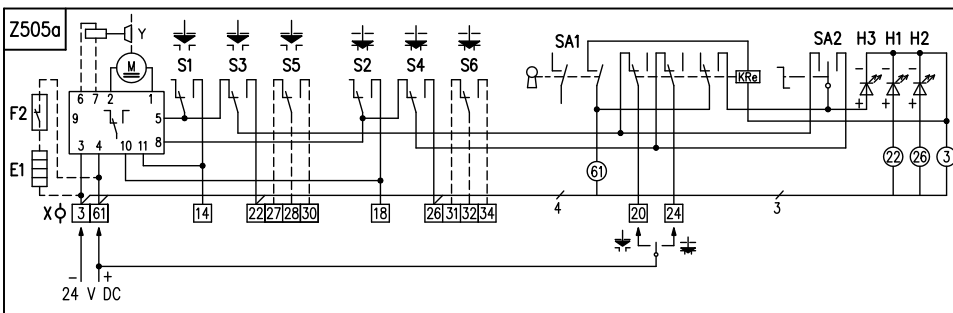
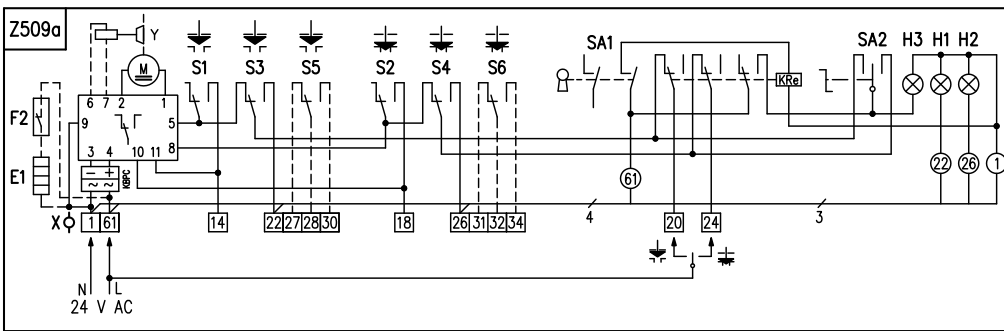
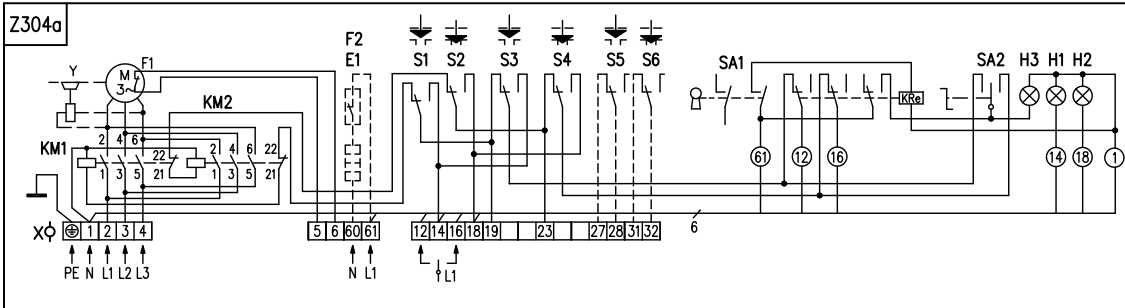
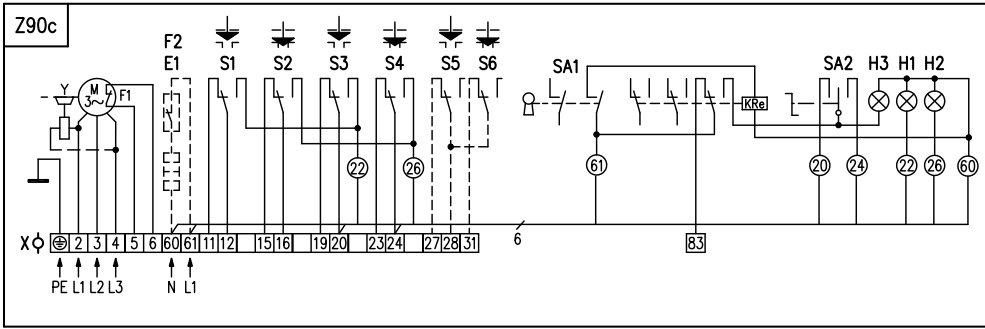


- 1.
- 2.
- 3.
- 4.

24.

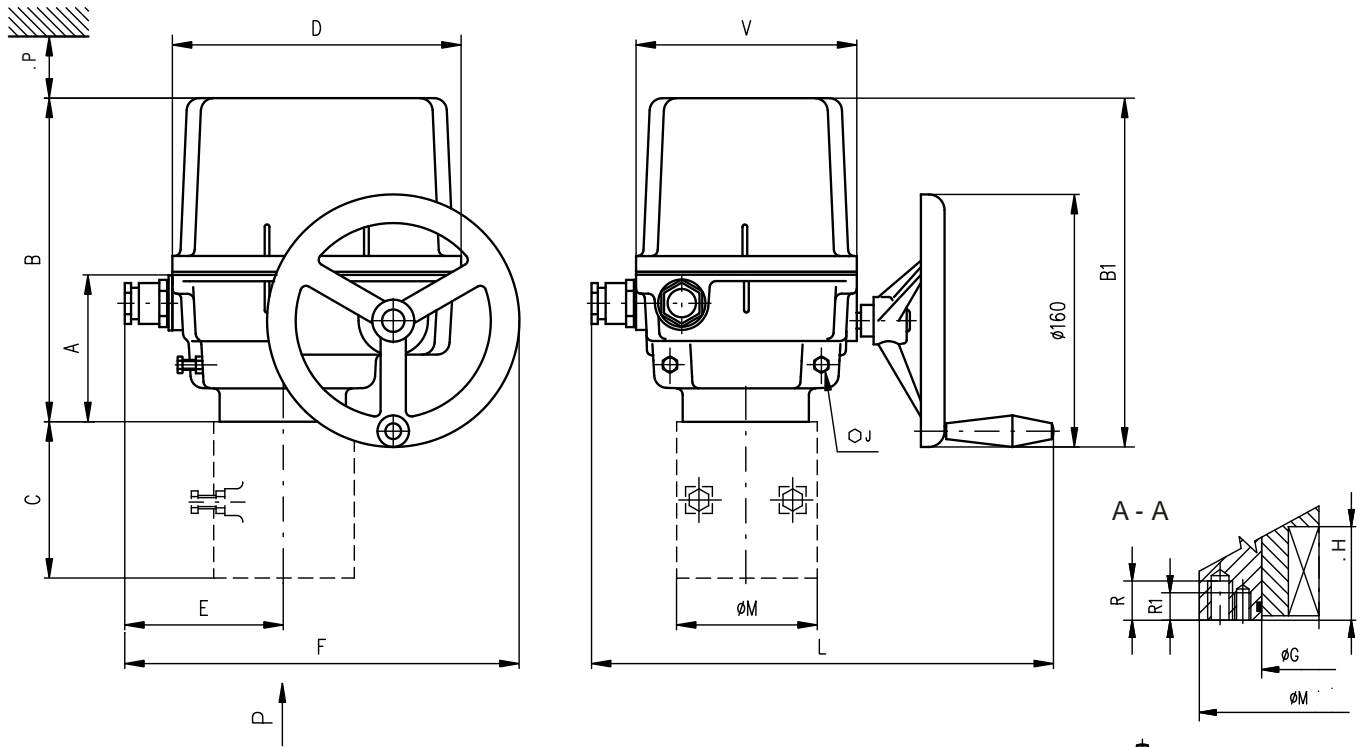
24 VAC

PE.



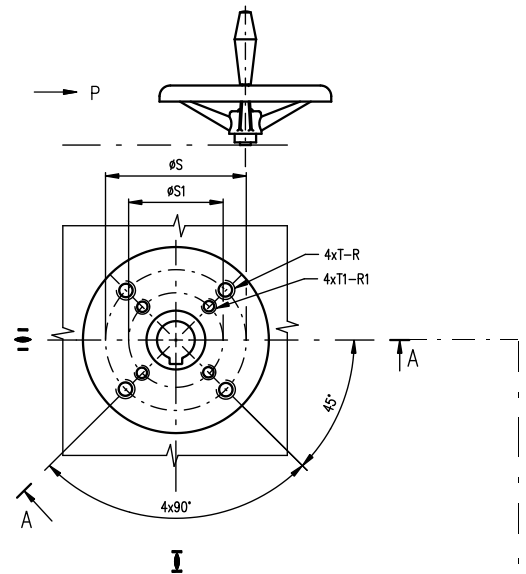
Z1	:				
Z5 c					
Z6					
Z10				CPT - 2-	
Z11					
Z12		S1 - S6			
Z78					
Z90c					
Z257			- 3-		
Z260			- 3-		
Z269				- 2-	
Z270i					
Z303					
Z304a					
Z503		SP 1		24 V DC	
Z503a		SP 2, SP 2.3, SP 2.4			24 V DC
Z505		SP 2, SP 2.3, SP 2.4			24 V DC
Z505b		SP 1		24 V DC	
Z507		SP 1	24 V AC		
Z507a		SP 2, SP 2.3, SP 2.4		24 V AC	
Z509a		SP 2, SP 2.3, SP 2.4		24 V AC	
Z509b		SP 1	24 V AC		
B1	p				
B2	p				
B3				CPT	
C					
E1					
F1					
F2					
H1		" "			
H2		" "			
H3		" "			"
I					
KM1, KM2					
M1					
M3					
R					
R _L					
SA1				- 0 -	"
SA2		" "	- "		
S1		" "	" "		
S2		" "	" "		
S3	"	" "	" "		
S4	"	" "	" "		
S5		" "	" "		
S6		" "	" "		
X					
Y					

SP 1, SP 2, SP 2.3, SP 2.4

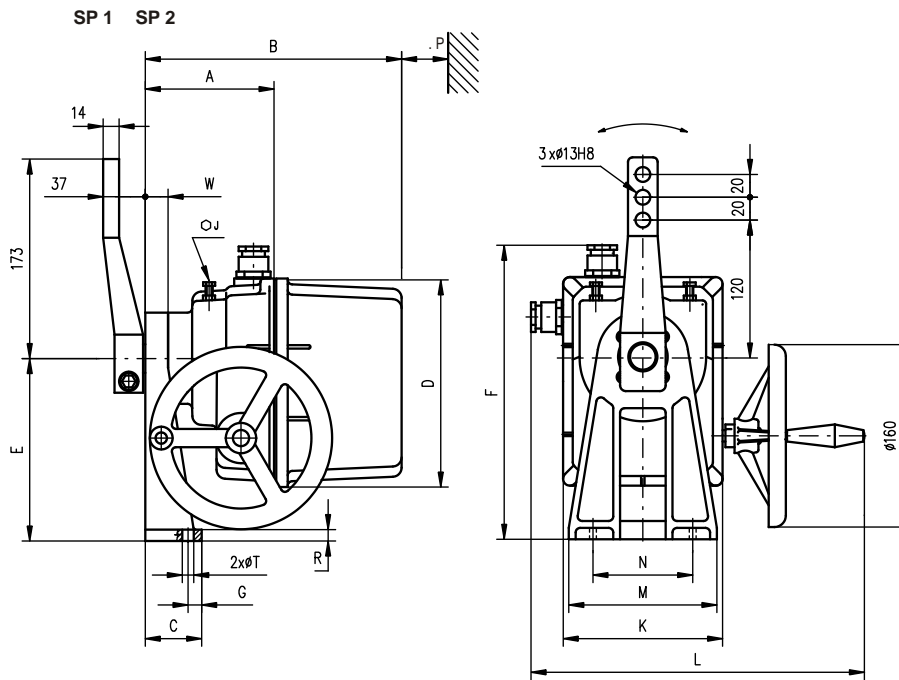


	A	B	B1	C	D	E	F	J	L	M	P	V
SP 1	102	221	229	-	183	93	243	17	280 396*	90	160	140
SP 2				-				17		90		
SP 2.3	117	316	323	112	232	119	294	22	330	125	210	190
SP 2.4				127				22	446*	150		

	G	H	R	R1	S	S1	T	T1	
SP 1	40	37	16	14	70	50	M8	M6	F07/F05
SP 2	40	49	18	14	70	50	M8	M6	F07/F05
SP 2.3	55	56	25	17	102	70	M10	M8	F10/F07
SP 2.4	65	71	30	25	125	102	M12	M10	F12/F10



D-xx (Axx)		L-xx (Bxx)		H-xx (Cxx)			V-xx (D01 - D09)		V-30 (D10)		
ISO		ISO		ISO			ISO				
D-xx	U	L-xx	U	H-xx	U	V	V-xx	W	Z	X	
D-14	14	L-14	14	H-14	14	22	V-20	20.0	22.5	6.0	
D-17	17	L-17	17	H-11	11	18	V-22	22.0	24.5	6.0	
D-22	22	L-22	22	H-8	8	13	V-32.2	32.2	35	6.5	
D-27	27	L-27	27	H-17	17	25	V-17	17.0	19.5	6.0	
D-11	11	L-11	11	H-13	13	19	V-28	28.0	30.9	8.0	
D-16	16	L-16	16	H-22	22	32	V-42	42.0	45.1	12.0	
				H-16	16	22	V-45.4	45.4	48.8	10.0	
				H-27	27	48	V-50	50.0	53.5	14.0	
				H-19	19	28	V-18	18.0	20.5	6.0	
				H-10	10	16	V-30	30.0	32.5	8.0	



	A	B	C	D	E	F	F2	G	W	J	K	L	M	N	P	R	T
SP 1	122	241	50	183	160	258	273 345*	12	20	13	140	280 396*	130	80	160	10	10.5
SP 2	145	344	58	232	200	323	-	30	28	17	190	330 446*	160	90	210	11	12.6

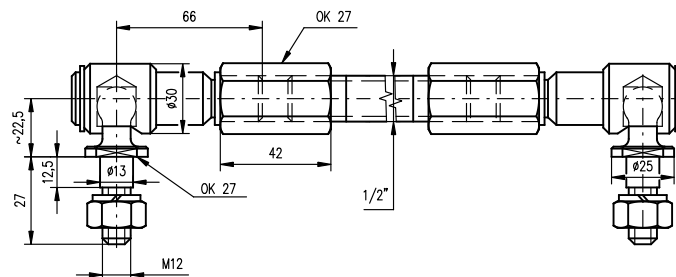
SP 1 SP 2

E

Exx		H	S	U	V	Z	Y	Y1
SP 1	24.5	22	6	28	25	2	2	E01
SP 2	27.9	25	8	35	28	2	2	E02

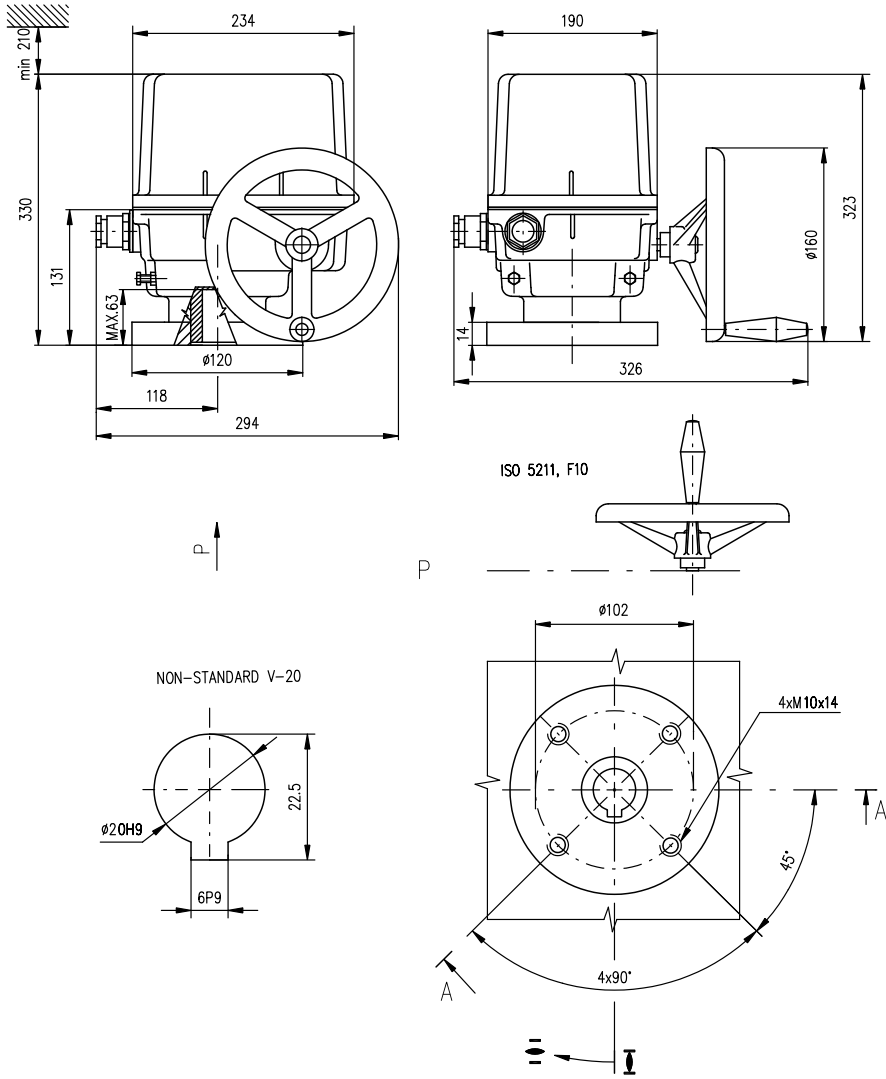
P - 1162

TV 160



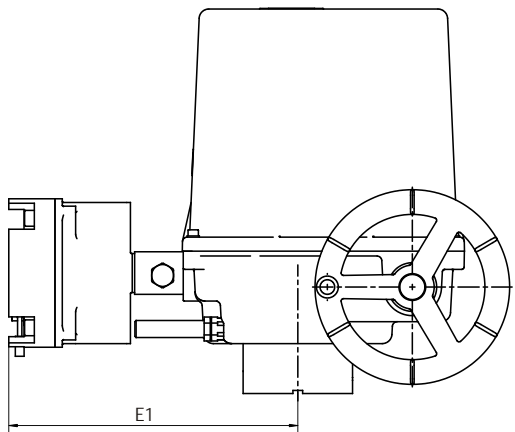
P - 0210

SP 2 F10



P - 2068

SP 1 SP 2



SP 2	P-2148/E	-25 °C / -50 °C	238
SP 1	P-2148/A	-25 °C / -50 °C	238
		o .	E1

P - 2148