

REMATIC, DMS3, 24 V DC (2P)
 (3P)
 PROFIBUS DP V0/V1 MODBUS RTU.
 : LED (RS-232).
 « - ». a a



DMS3

- 220 V AC
- T
- a 60 % 100 %
- ()
- ()
- 2 R1, R2 (18)¹⁾
- READY¹⁾
- - 0/4 - 20 mA, 4 - 12 mA, 12 - 20 mA 0/2 - 10 V¹⁾
- 24 V DC - , ,
- 24 V DC - , ,
- ESD ()
- - 4 - 20 mA a - (2P)¹⁾
- 24 V DC, 40
- LED
- (, ,)
- RS 232
- IP 67
- RE3, RE4, RE5¹⁾
- RE1, RE2, RE3, RE4, RE5, READY¹⁾
- PROFIBUS DP V0/V1,
- MODBUS RTU,

1) Profibus Modbus

STR 1PA

431. x - x x x x x / x x

/		o	e	10)		
3.1			-25 °C ... +55 °C	C3	IP 67	1
			-25 °C ... +55 °C	C3	IP 68 ¹¹⁾	5
B2	+		-25 °C ... +55 °C	C4	IP 67	2
2			-50 °C ... +40 °C	C3	IP 67	3
2			-25 °C ... +55 °C	C3	IP 67	6
1	-		-50 °C ... +40 °C	C4	IP 67	7
2			-60 °C ... +40 °C	C3	IP 67	8

50 Hz	230 V AC	Z514, Z523, Z515 Z574, Z574c	L	240 V AC	Z514, Z523, Z515 Z574, Z574c	V	
			T				
			J				
	60 Hz	240 V AC	Z514, Z523, Z515 Z574, Z574c	V	120 V AC	Z514, Z523, Z515 Z574, Z574c	T
				J			
				J			
50 Hz	3x400 V AC	Z532, Z536, Z537 Z574e, Z574b	2	3x380 V AC	Z532, Z536, Z537 Z574e, Z574b	N	
			N				

31)		o 32)		o 33)				
						50 Hz	60 Hz	
10 000 N	^	8 700 N		7 000 N		8 mm/min	10 mm/min	0
						10 mm/min	12 mm/min	5
8 600 N	v	7 500 N		6 000 N		16 mm/min	19 mm/min	1
7 500 N		6 300 N		5 000 N		32 mm/min	38 mm/min	2
5 800 N		5 000 N		4 000 N		40 mm/min	52 mm/min	7
3 700 N		3 200 N		-		63 mm/min	74 mm/min	3
2 900 N		2 500 N		-		80 mm/min	96 mm/min	8

10				10 - 50 mm	I
				10 - 80 mm	K

DMS3	2P	24 V DC		, , ,	-	Z515, Z537	F	
	3P/2P	0/4 - 20 mA	24 V DC					4 - 20 mA
		0/2 - 10 V	, , ,			Z523, Z536	H	
DMS3 M1	/2P	MODBUS RTU	, , ,		24 V DC	-	Z574c, Z574e	M
DMS3 M2			, , ,				Z574, Z574b	N
DMS3 P1			, , ,				Z574c, Z574e	P
DMS3 P2			, , ,				Z574, Z574b	R

				62)		
EN 15714-2	F05	20 mm	45 mm	M12x1.25-20	P-1169 P-2046	A
		50 mm				B
	A	50 mm	112 mm	M10x1-28 M12-28 M12x1.5-20 M16x1.5-28 UN 7/8"-9	P-1170 P-2148/C/D	C
		80 mm	52 mm			E
	B	50 mm	127 mm			G
			27 mm			I
	C	50 mm	57 mm			J
			110 mm			K
	E	50 mm	92 mm			M
			102 mm			N
F	80 mm	125 mm	3			
H	50 mm	70 mm	7			

STR 1PA

431.	x	-	x	x	x	x	x	/	x	x
------	---	---	---	---	---	---	---	---	---	---

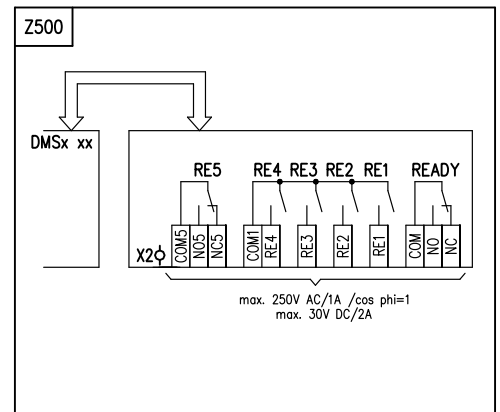
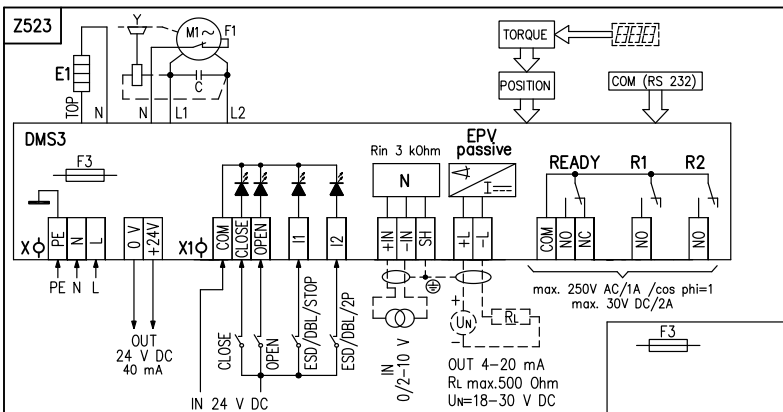
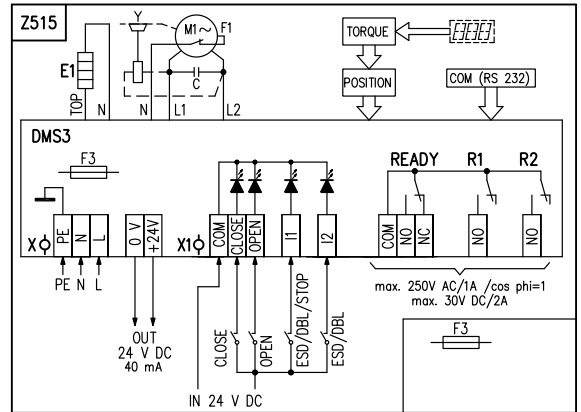
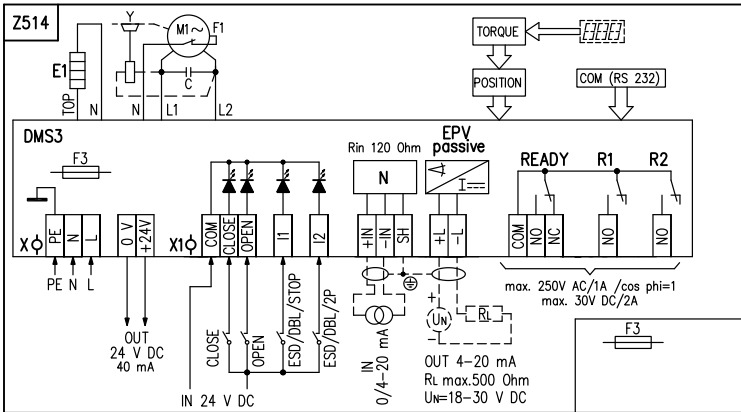
A			-	0	1
B			-	0	3
D	RE3, RE4, RE5 (DMS3 RE3) ⁷¹⁾	Z500a		0	5
E	RE1, RE2, RE3, RE4, RE5, READY (DMS3 RE6) ⁷¹⁾	Z500		0	6
F	LCD (-40°C)	Z473a		0	7

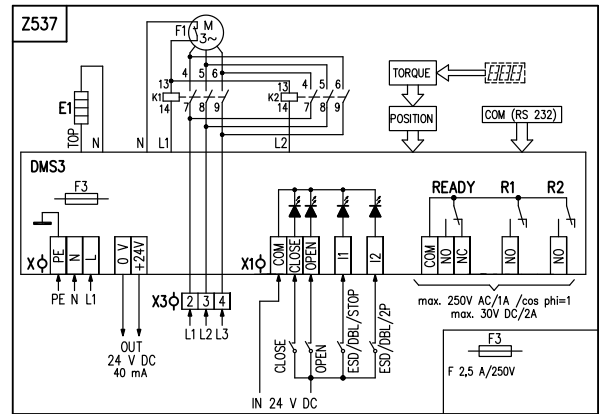
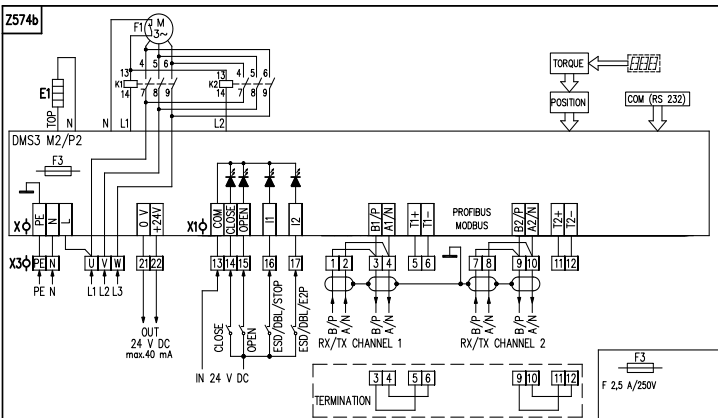
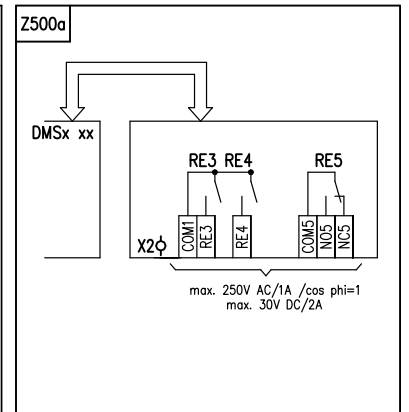
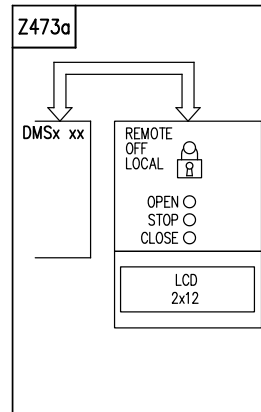
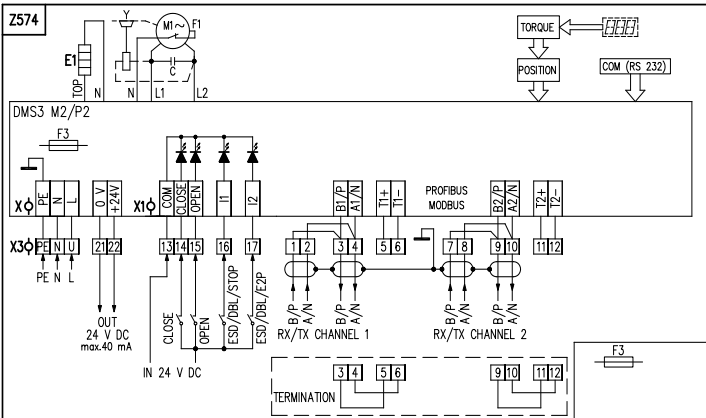
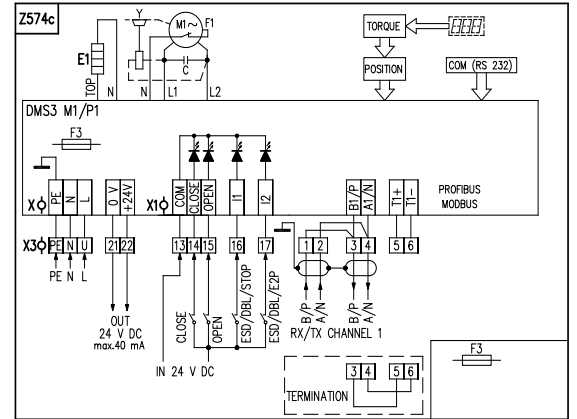
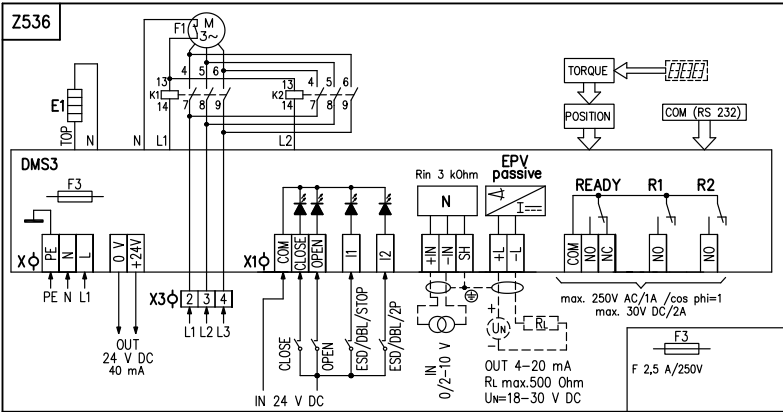
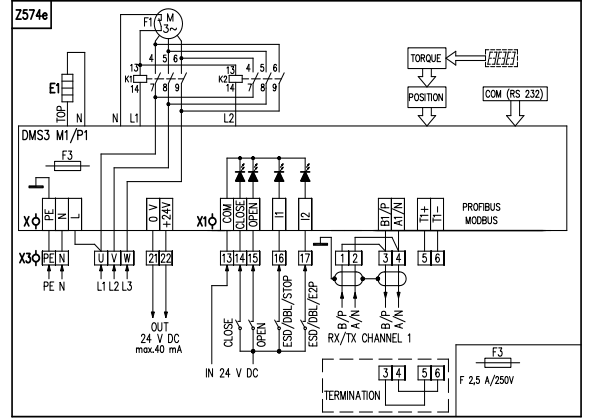
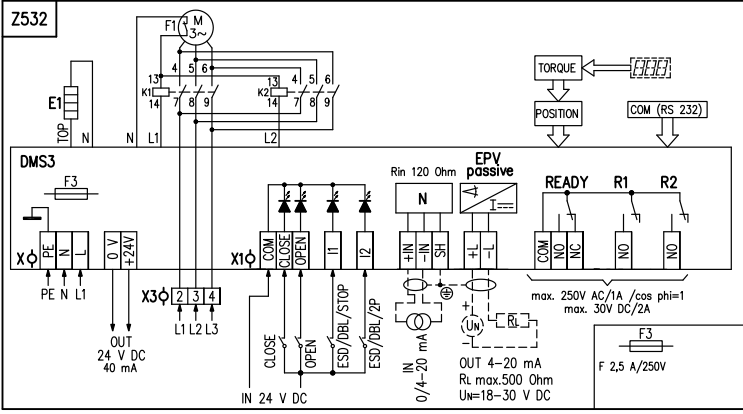
: A+B=20, A+D=22, A+E=23, A+F=24, B+D=29, B+E=30, B+F=31, D+F=40, E+F=44, A+B+D=52, A+B+E=53, A+B+F=54, A+D+F=63, A+E+F=67, B+D+F=80, B+E+F=84, A+B+E+F=113, A+B+D+F=114

DB-9F/RJ45	224A80100
------------	-----------

- 10) ISO 9223 / EN ISO 12944-2.
- 11) IP 68 - 10 / 48
- 31) 60 100 %.
- 32) S2-10 min a S4-25% 90 /
- 33) S4-25%, 90 - 1200 /
- 62)
- 71) PROFIBUS MODBUS RTU.

STR 1PA





1. N, L () 230V AC, 24 V AC

-3 -1 12- 3,5 5 , 1x 16- 9 13 () 1x 20- 8 14,5

-2 -1 12- 3,5 5 1x 16- 9 13 ()

X -
 PE, N, L (0,05 - 1,5 mm²) 220/230/240 V AC, 120 V AC, 24 V AC, 50/60 Hz
 0 V, +24 V (1,5 mm²) 24 V DC (40 mA)
X1 -
 COM, CLOSE OPEN, I1, I2... (0,05 - 1 mm²) 24 V DC
 +IN, -IN, SH (0,05 - 1 mm²) 0/4-20 mA (0/2-10V)
 +L, -L, SH (0,05 - 1 mm²) () 4-20 mA
 COM, NO, NC (0,05 - 1,5 mm²) READY
 COM, NO (0,05 - 1,5 mm²) R1, R2
X2 -
 COM1,RE1,RE2,RE3,RE4 (0,05 - 1,5 mm²) RE1, RE2, RE3, RE4
 COM5, NO5, NC5 (0,05 - 1,5 mm²) RE5
 COM, NO, NC (0,05 - 1,5 mm²) READY

Z473a ...
 Z500 6-
 Z500a ... 3-
 Z514 a 0/4 - 20 mA c
 4 - 20 mA a
 Z515 a
 Z523 a 0/2 - 10 V c
 4 - 20 mA a
 Z532 a 0/4 - 20 mA c
 4 - 20 mA a
 Z536 a 0/2 - 10 V c
 4 - 20 mA a
 Z537 a
 Z574 e MODBUS / PROFIBUS -
 Z574b ... e MODBUS / PROFIBUS -
 Z574c ... e MODBUS / PROFIBUS -
 Z574e ... e MODBUS / PROFIBUS -

C PC
 COM(RS232) PC
 EPV passive (EPV)
 E1
 F1
 F2
 F3
 M1~ / M3~
 N
 R
 POSITION
 Rin
 R₁
 UN EPV
 R1, R2
 READY ()
 RE1 o RE5
 TORQUE
 DMS3
 ,

R1, R2, RE1, RE2, RE3, RE4, RE5:

READY: o ; o ; o ; o ; o

(**EPV**): 4 - 20 mA, 20 - 4 mA.
 (): 2P, 3P, 3P/2P I2.
 (**N**): 4 - 20 mA, 20 - 4 mA, 0 - 20 mA, 20 - 0 mA, 4 - 12 mA, 12 - 4 mA, 12 - 20 mA, 20 - 12 mA;

: 2 - 10 V, 10 - 2 V, 0 - 10 V, 10 - 0 V

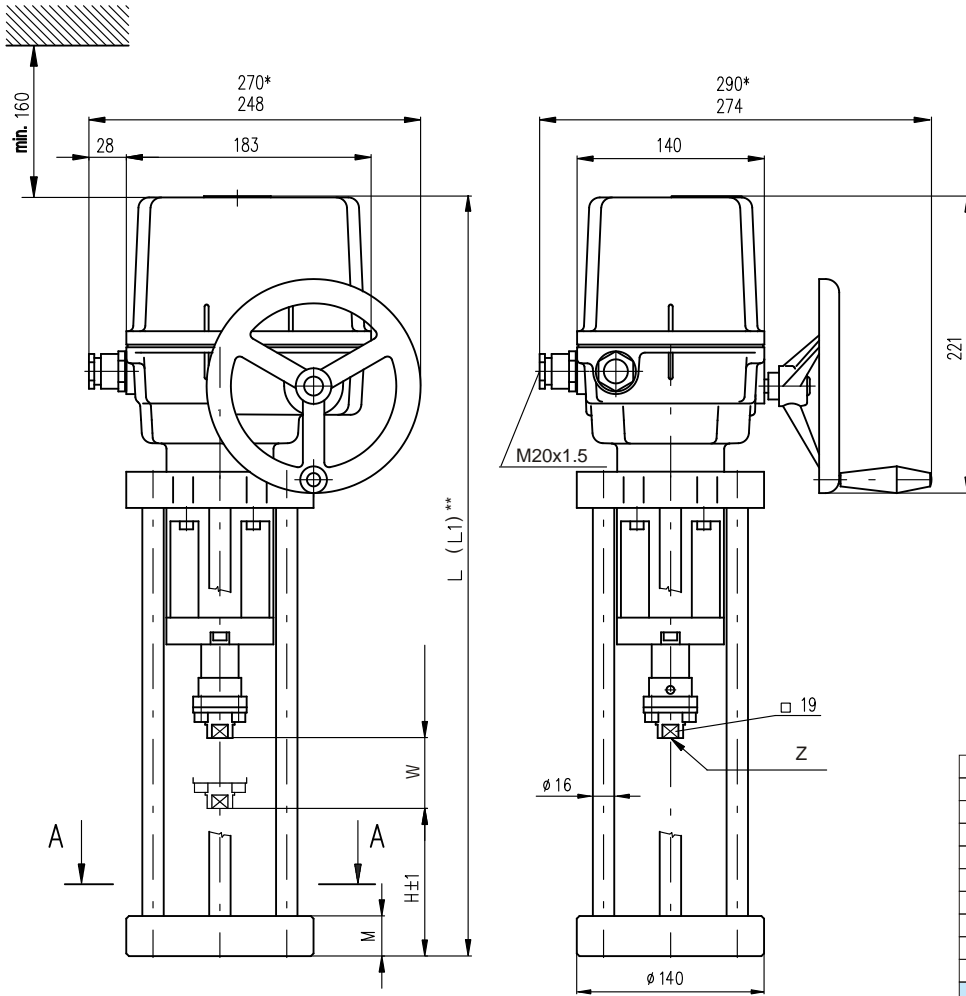
I1: ; ESD (Emergency shut down - I1, , ; !
 "); DBL (

I2: ; ESD (Emergency shut down - I2, , ;
 "); DBL (); 2P (

O : 3P/2P I2 ; I2 24 V DC).

I1, I2 _____ ESD I1,
 ESD I2).

STR 1PA

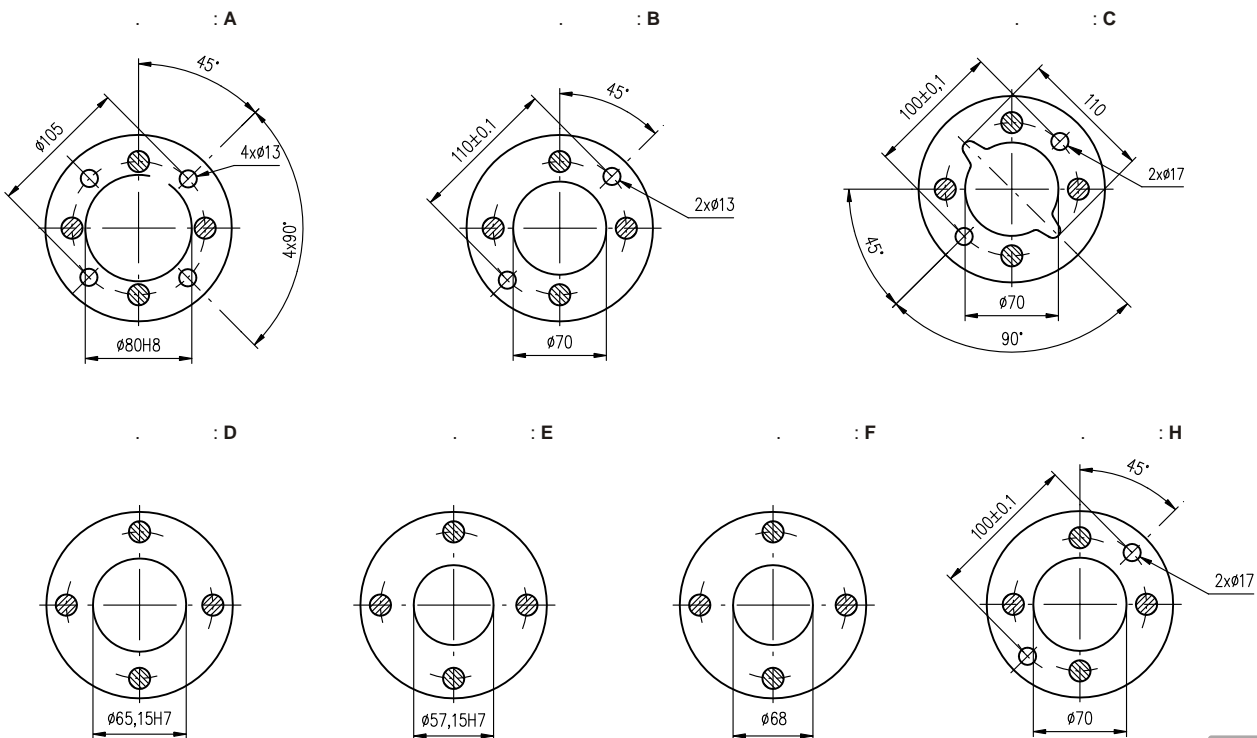


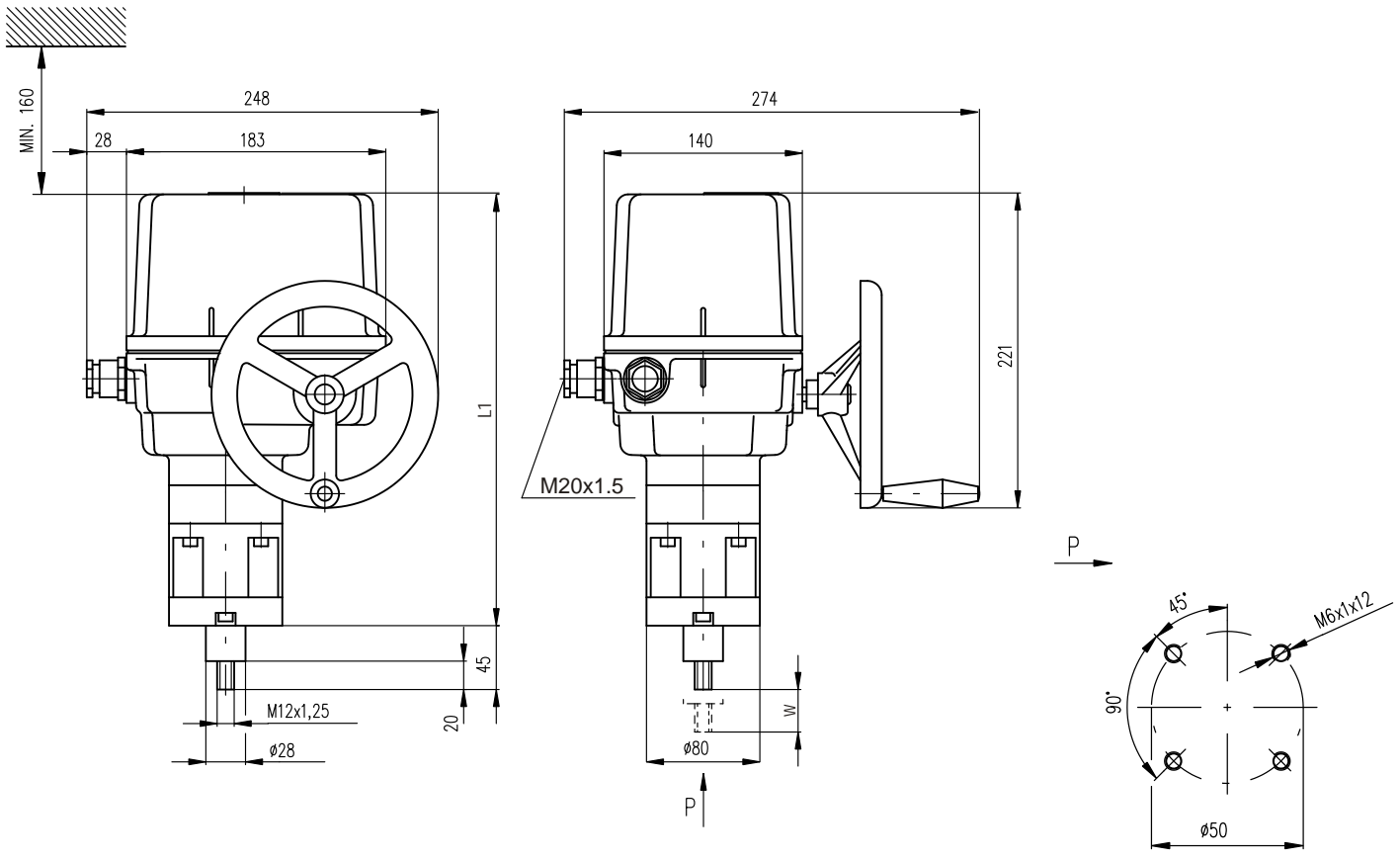
7/8" - 9 UN
M16x1.5-28
M14 - 28
M12x1.5-6H
M12x1.25
M12-28
M10x1.5-28
M10x1-28
Z

70	50	534	30	H
125	80	676	32	F
102	50	568	30	E
92	50	558	30	E
110	50	576	30	D
57	50	521	30	C
27	50	491	30	C
127	50	591	30	B
52	80	576	30	A
112	50	576	30	A
H	W	L1	M	

P-2148/C/D.

A-A



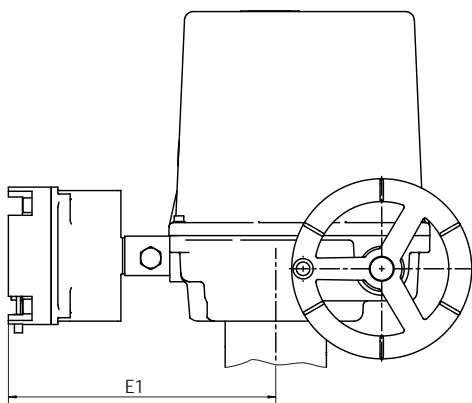


P-2148/C/D.

50	342
20	312
W	L1

P - 1169

STR 1PA



STR 1PA	P-2148/D	-50 °C	173
	P-2148/C	-25 °C	141
		o	E1

P - 2148/C/D