

II 2G Ex db IIC T5 Gb
 II 2G Ex db eb IIC T5 Gb ()
 II 2D Ex tb IIIC T100°C Db

REMATIC, DMS3,
 24 V DC (2P)
 (3P)
 PROFIBUS DP V0/V1 MODBUS RTU.
 : LED (RS-232).
 a a
 « - ».



DMS3

- 220 V AC
- T
- a 60 % 100 %
- ()
- ()
- 2 R1, R2 (18)¹⁾
- READY¹⁾
- - 0/4 - 20 mA, 4 - 12 mA, 12 - 20 mA 0/2 - 10 V¹⁾
- 24 V DC - , ,
- 24 V DC - , ,
- ESD ()
- - 4 - 20 mA a - (2P)¹⁾
- 24 V DC, 40
- LED
- (, ,)
- RS 232
- IP 66 / IP 68
- RE3, RE4, RE5¹⁾
- RE1, RE2, RE3, RE4, RE5, READY¹⁾
- PROFIBUS DP V0/V1,
- MODBUS RTU,

1) Profibus Modbus

ULR 2PA-Ex

547	x	-	x	x	x	x	x	/	x	x
-----	---	---	---	---	---	---	---	---	---	---

/		o	e	10)	
3.1			-25°C ... +55°C	C3	1
B2	+		-25°C ... +55°C	C4	2
2			-50°C ... +40°C	C3	3
2			-25°C ... +55°C	C3	6
1	-		-50°C ... +40°C	C4	7
2			-60°C ... +40°C	C3	8

IP 66 / IP 68 ¹¹⁾

	50 Hz	230 V AC	Z514, Z523, Z515	0	
		220 V AC	Z574c, Z563	L	
	60 Hz ²⁴⁾	120V AC	Z514, Z523, Z515	T	
		110V AC	Z574c, Z563	B	
c	50 Hz	3x400 V AC	Z532b, Z536b, Z537b	2	
		3x380 V AC	Z574d, Z563a	N	
	50 Hz	3x400 V AC	Z532f, Z536f, Z537f	E	
		3x380 V AC		F	

230 (220) V AC			3x400 (380) V AC					
31)	o		31)	o		50 Hz	60 Hz	
	«	» 32)		33)	«			» 32)
25 kN	15 kN	10 kN	25 kN	15 kN	10 kN	14 mm/min	17 mm/min	A
						25 mm/min	30 mm/min	B
						40 mm/min	48 mm/min	C
						60 mm/min	72 mm/min	D
						80 mm/min	96 mm/min	E
100 mm/min	120 mm/min	F						
120 mm/min	144 mm/min	G						
16 kN	10 kN	6,5 kN	16 kN	10 kN	6,5 kN	14 mm/min	17 mm/min	H
						25 mm/min	30 mm/min	J
						40 mm/min	48 mm/min	K
						60 mm/min	72 mm/min	L
						80 mm/min	96 mm/min	M
100 mm/min	120 mm/min	N						
120 mm/min	144 mm/min	P						

10	10 - 100	A
----	----------	---

DMS3	2P	24 V DC		-	Z515, Z537b Z537f	F
	3P/2P	0/4 - 20 mA	24 V DC		4 - 20 mA	Z514, Z532b Z532f
0/2 - 10 V				Z523, Z536b Z536f		H
DMS3 M1	/ 2P	MODBUS RTU		24 V DC	Z574c, Z547d	M
DMS3 M2					Z563, Z563a	N
DMS3 P1		PROFIBUS DP V0 / V1			Z574c, Z547d	P
DMS3 P2					Z563, Z563a	R

ULR 2PA-Ex

547. x - x x x x x / x x

		[mm]		62)		↓
-	F07	40 mm	50 / -	M16x1.5-25	P-2146/A	A
	F10	60 mm	55 / -	M20x1.5-25	P-2146/B	B
	80 mm		110 / Ø 65 H12	M20x1,5-34	P-2059/A	D
			112 / Ø 80 H12		P-2059/B	E
			110 / Ø 85 H12		P-2059/C	3
			110 / Ø 65 H12		P-2059/D	C
4	100 mm		110 / Ø 65 H12	M20x1,5-34	P-2145/A	F
			112 / 4x Ø13	M16x1,5-34	P-2145/B	G
	100 mm		92 / -	M14x2-34	P-2147/A	J
			30 / -		P-2147/B	K
			74 / -		P-2147/C	L
4	100 mm		126 / -	UN 7/8" -9	P-2147/D	M
			92 / 2x Ø20.5		P-2144/A	N
			30 / 2x Ø20.5		P-2144/B	P
			74 / 2x Ø20.5		P-2144/C	Q
			126 / 2x Ø20.5		P-2144/D	R

/			↓	↓
		10		
A			0	1
B			0	3
D	RE3, RE4, RE5 (DMS3 RE3) ⁷¹⁾	Z500a	0	5
E	RE1, RE2, RE3, RE4, RE5, READY (DMS3 RE6) ^{71) 72)}	Z500	0	6
F	LCD (-40°C) (P-2083)	Z473a	0	7
K	„e“ (P-2083) ⁷³⁾	-	1	1
: A+B=20, A+D=22, A+E=23, A+F=24, B+D=29, B+E=30, B+F=31, D+F=40, E+F=44, A+B+D=52, A+B+E=53, A+B+F=54, A+D+F=63, A+E+F=67, B+D+F=80, B+E+F=84, A+B+E+F=113, A+B+D+F=114				

DB-9F/RJ45 DMS3	224 A80 100
-----------------	-------------

10) : ISO 9223 / EN ISO 12944-2.

11) IP 68 - 10 / 96

24) 60 , 60 100 % . 80 %.

31) 60 100 %.

32) S2-10 min a S4-25% 90 / .

33) S4-25% , 90 - 1200 / .

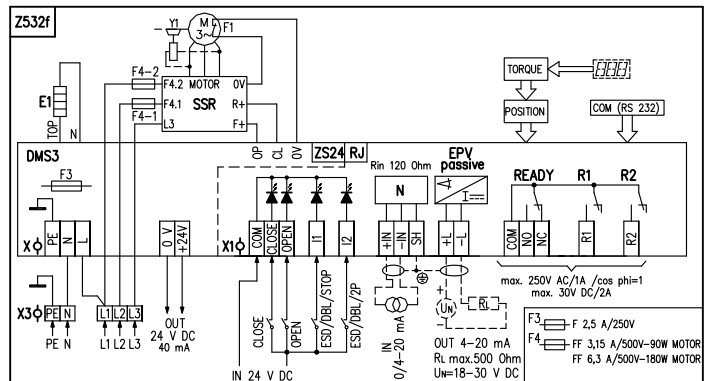
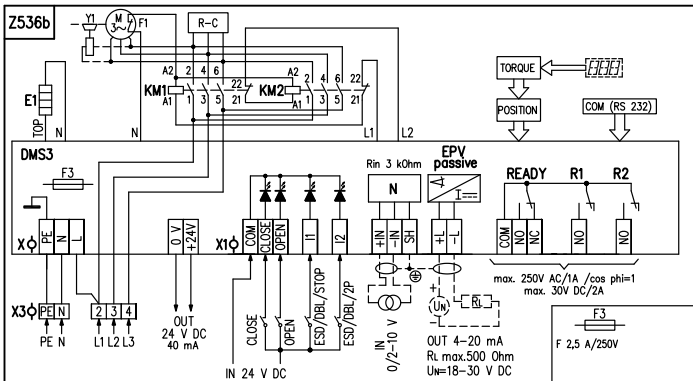
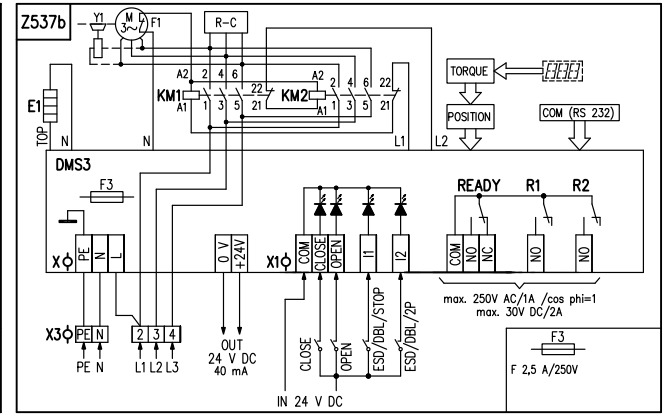
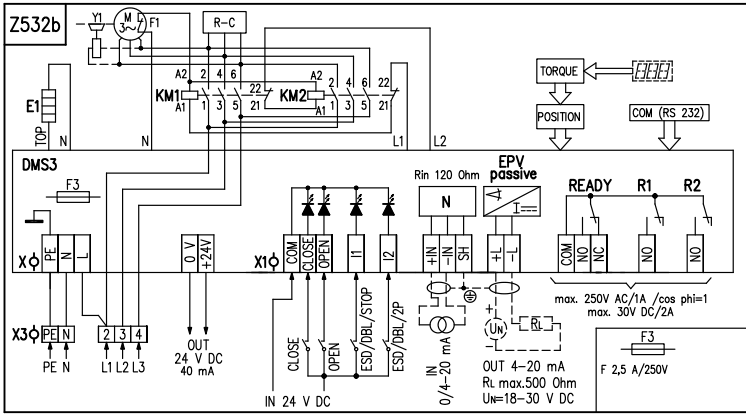
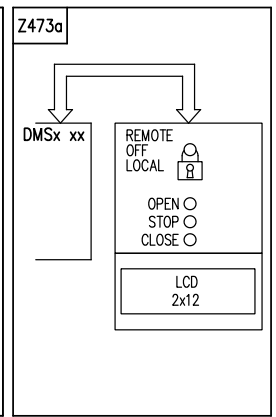
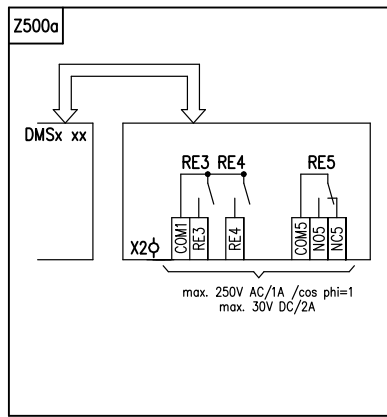
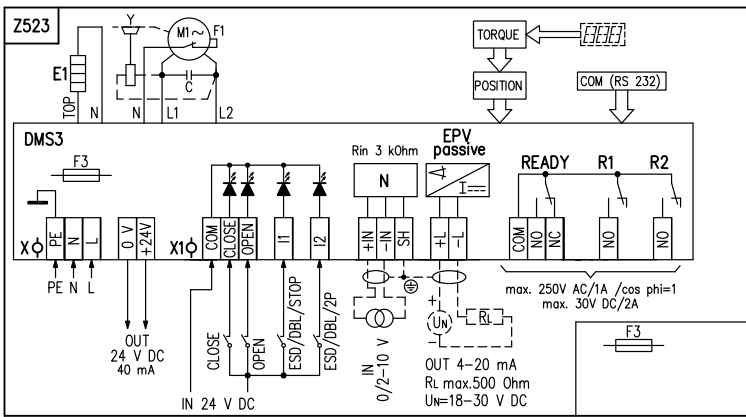
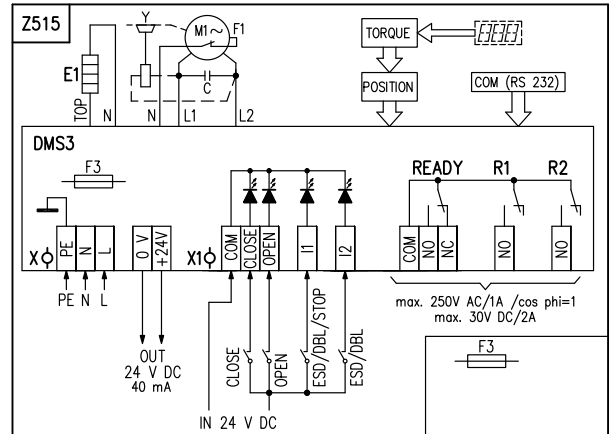
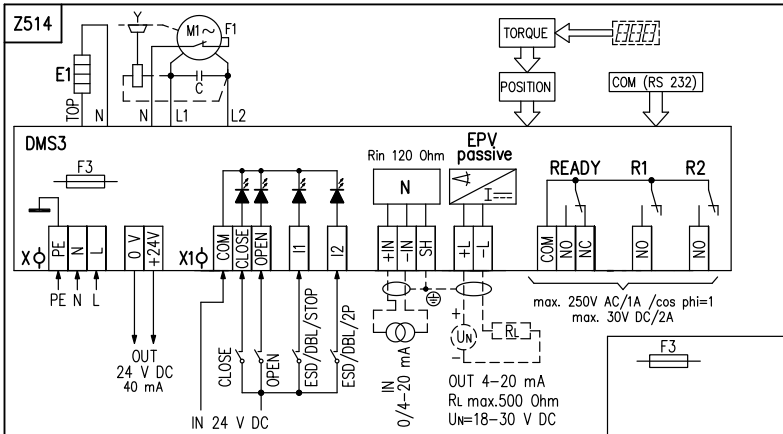
71) PROFIBUS MODBUS RTU.

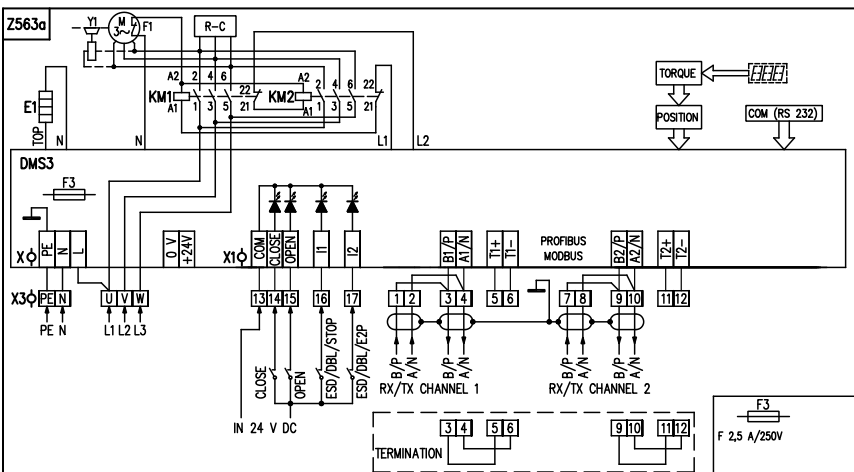
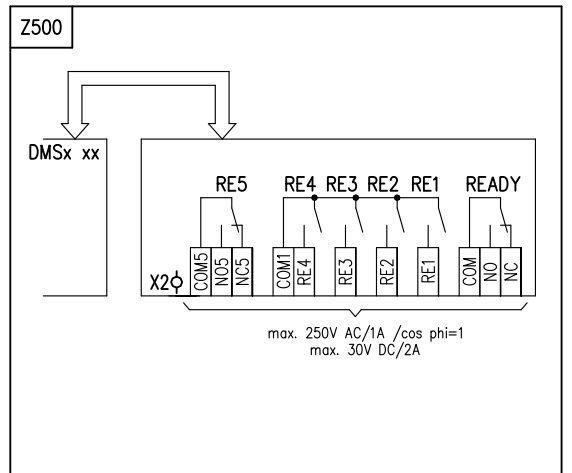
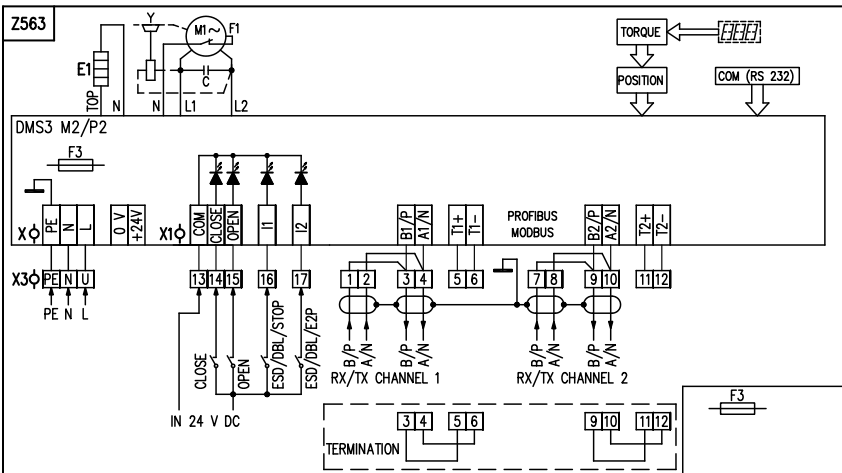
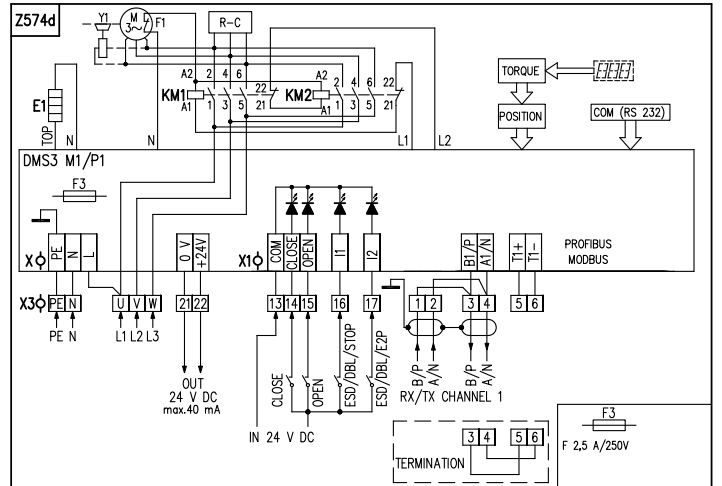
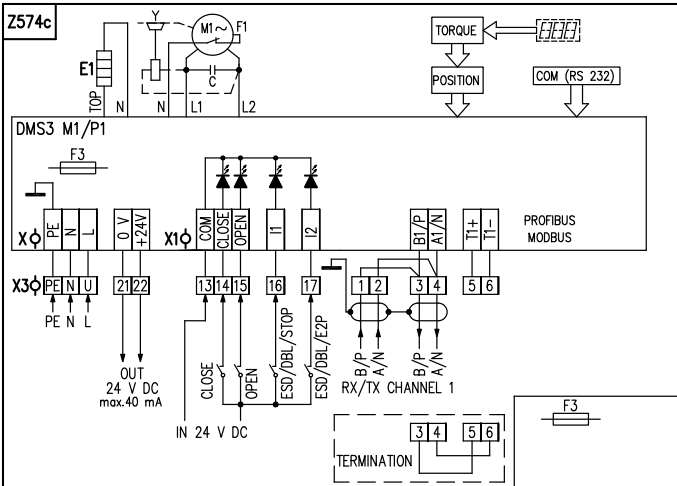
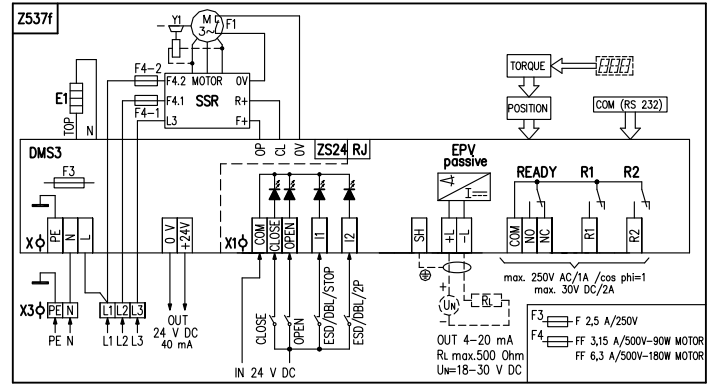
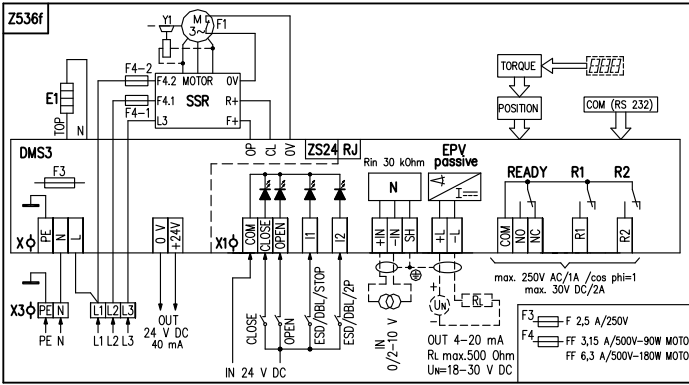
72) 3x400/3x380 V.

73) „d“ „de“ (Exd

„e“).

ULR 2PA-Ex





32 2,5 d. " 2

3

IECEX/ATEX

X -

PE, U, V, W (0,05 - 2,5 mm²) (3x400/3x380 VAC, 50 Hz
 0 V, +24 V2 (0,05 - 1 mm²) 24 V DC (100 mA)

X1 -

COM, CLOSE OPEN, I1, I2 ... (0,05 - 1 mm²) 24 V DC
 +IN, -IN, SH (0,05 - 1 mm²) 0/4-20 mA
 +L, -L (0,05 - 1 mm²) () 4-20 mA
 COM, NO, NC (0,05 - 1,5 mm²) READY ()
 R1, R2 (0,05 - 1,5 mm²) R1, R2 ()
 COM, NO, NC (0,05 - 1,5 mm²) READY ()

X2 -

COM1, RE1, RE2, RE3, RE4 ... (0,05 - 1,5 mm²) RE1 RE4 ()
 COM5, NO, NC (0,05 - 1,5 mm²) RE5 ()

X3 -

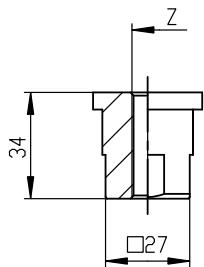
L1, L2, L3svorky (0,05 - 1,5 mm²) napájacieho napätia 3x400 VAC, 50 Hz
 READY R1 R2
 R 1 R 2

Z473a ...							
Z500		6-					
Z500a ...		3-					
Z514	4 - 20 mA	a	a		0/4 - 20 mA	c	
Z515			a				
Z523	4 - 20 mA	a	a		0/2 - 10 V	c	
Z532b ...	4 - 20 mA	a	a		0/4 - 20 mA	c	
Z532f ...	4 - 20 mA	a	a		0/4 - 20 mA	c	
Z536b ...	4 - 20 mA	a	a		0/2 - 10 V	c	
Z537b ...			a				
Z536f ...	4 - 20 mA	a	a		0/2 - 10 V	c	
Z537f ...			a				
Z563			e		MODBUS/PROFIBUS-		
Z563a ...			e		e		MODBUS/PROFIBUS-
Z574c ...			e		MODBUS/PROFIBUS-		
Z574d ...			e		e		MODBUS/PROFIBUS-

COM(RS232) PC
 DMS3
 EPV passive (EPV)
 E1
 F1
 F2
 F3 F6
 M
 N
 R
 POSITION
 Rin
 RL
 UN EPV
 R1
 R2
 READY ()
 RE1 o RE5
 TORQUE
 SSR (solid state)

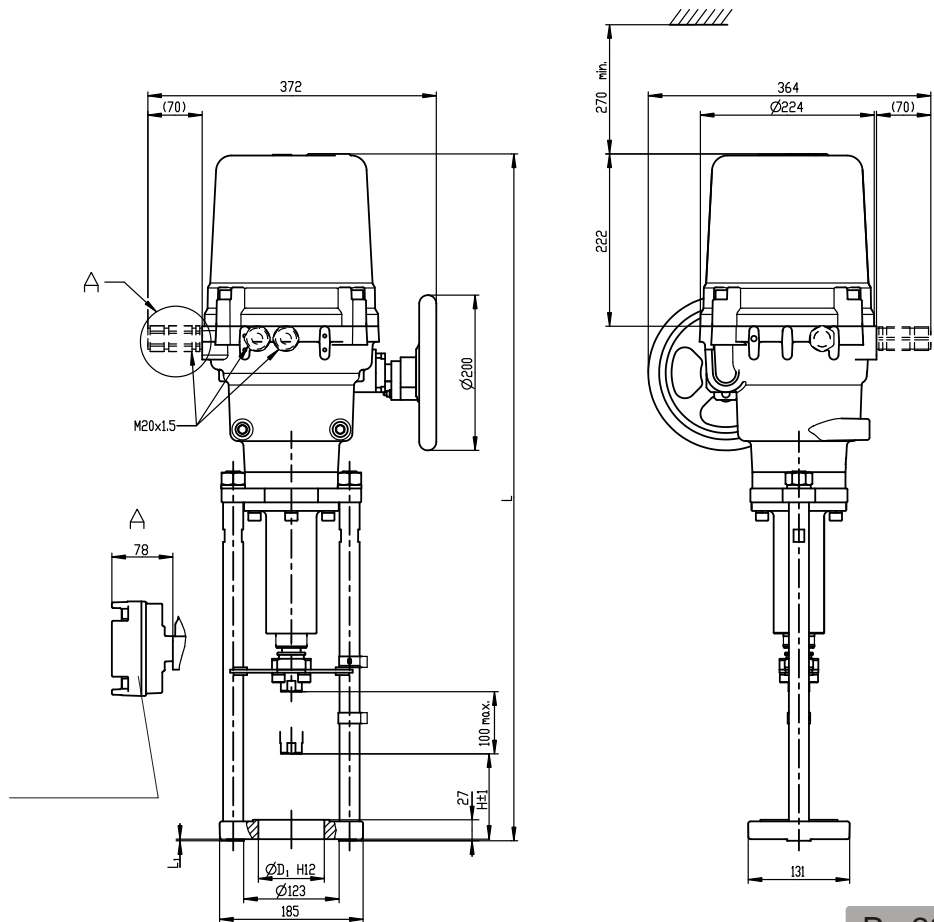
X
 X1
 X2
 IN
 OUT

ULR 2PA-Ex

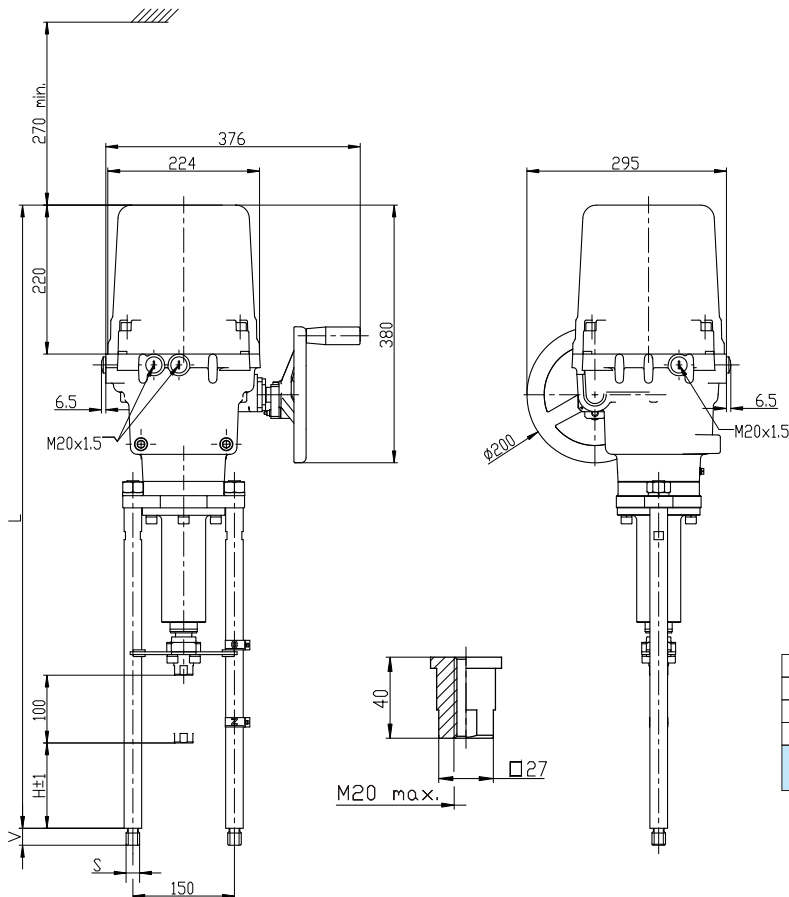


M18x1.5
M10
M12x1.25-6H
M20-6H
Ø8
M14x2
M16x2-6H
M14x1.5-6H
M20x1.5-6H
M16x1.5-6H
M10x1-6H
Z

P-2059/D	65	80	856	3
P-2059/C	85	110	885	2
P-2059/B	80	112	887	2
P-2059/A	65	110	886	3
	D_1	H	L	L_1

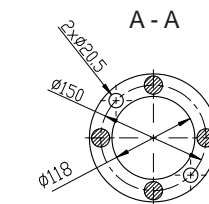
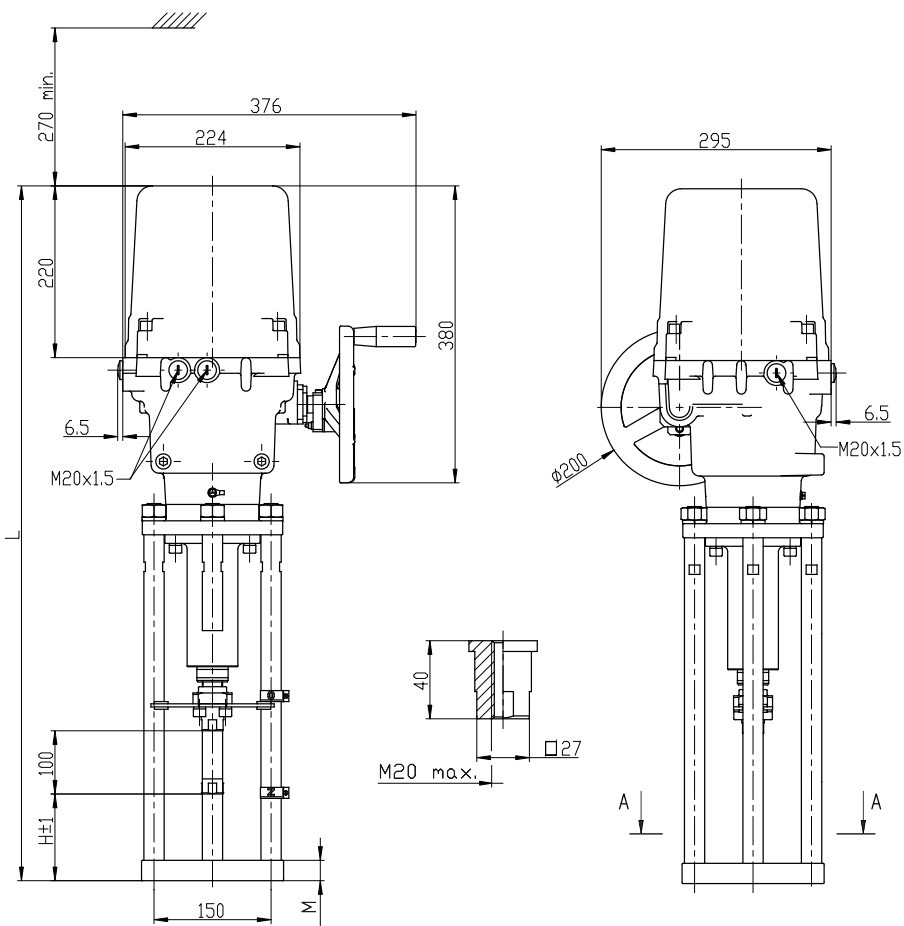


P - 2059



P-2147/D	126	920	M20	25
P-2147/C	74	868	M20	25
P-2147/B	30	824	M20	25
P-2147/A	92	886	M16	40
	H	L	S	V

P - 2147

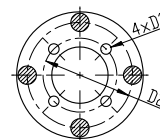


P-2144/D	126	924	26
P-2144/C	74	872	26
P-2144/B	30	828	26
P-2144/A	92	890	26
	H	L	M

P - 2144

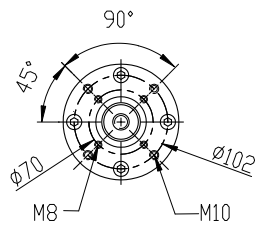
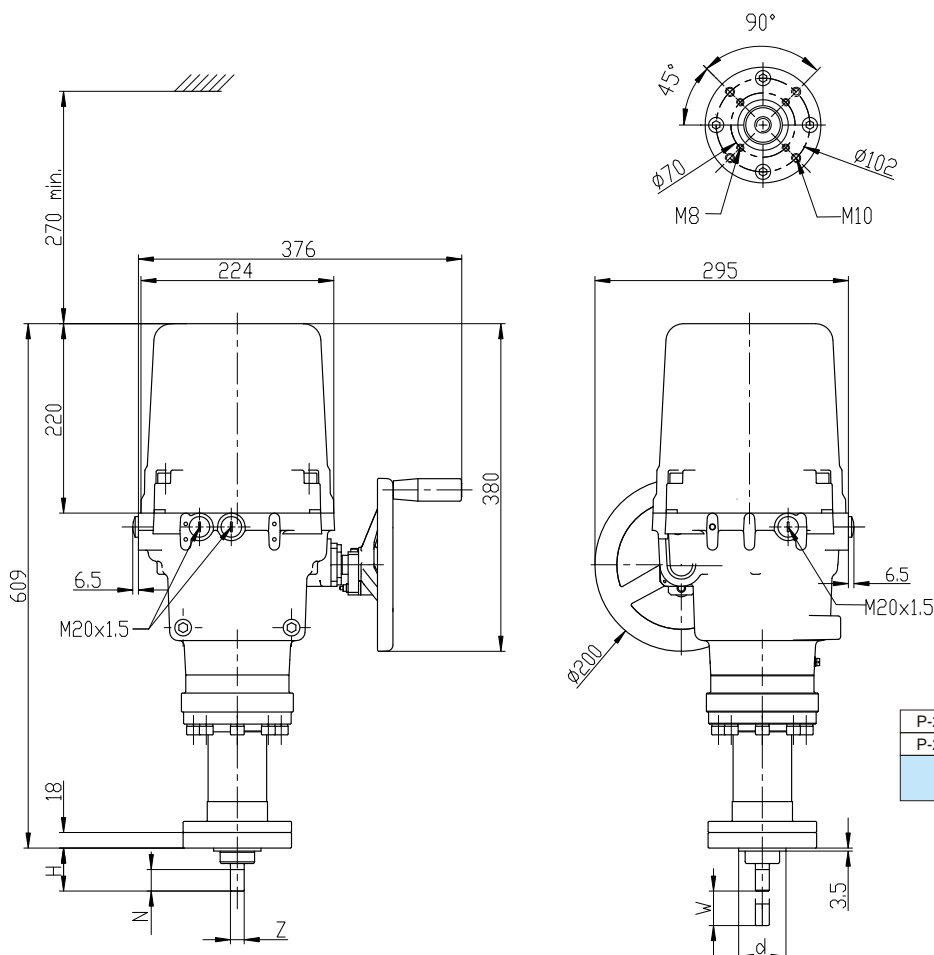
P - 2144 / P - 2145

A - A



P-2145/B	112	909	Ø80	Ø105	Ø13	27
P-2145/A	110	907	Ø65 H12	-	-	27
	H	L	D1	D2	D3	M

P - 2145



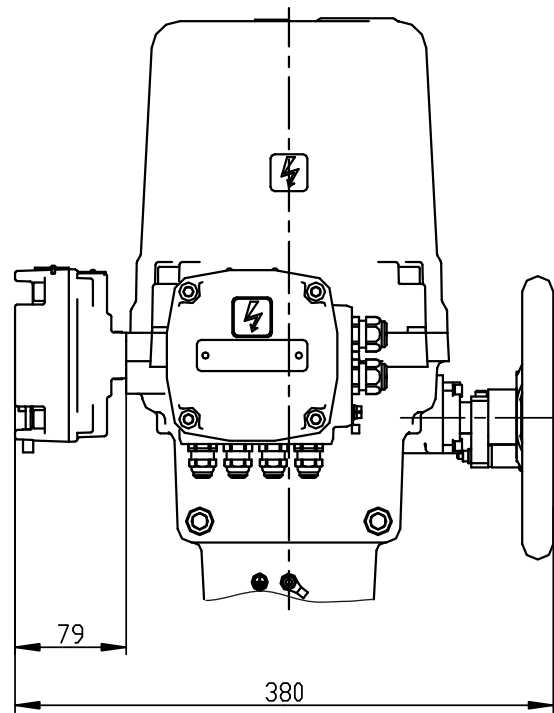
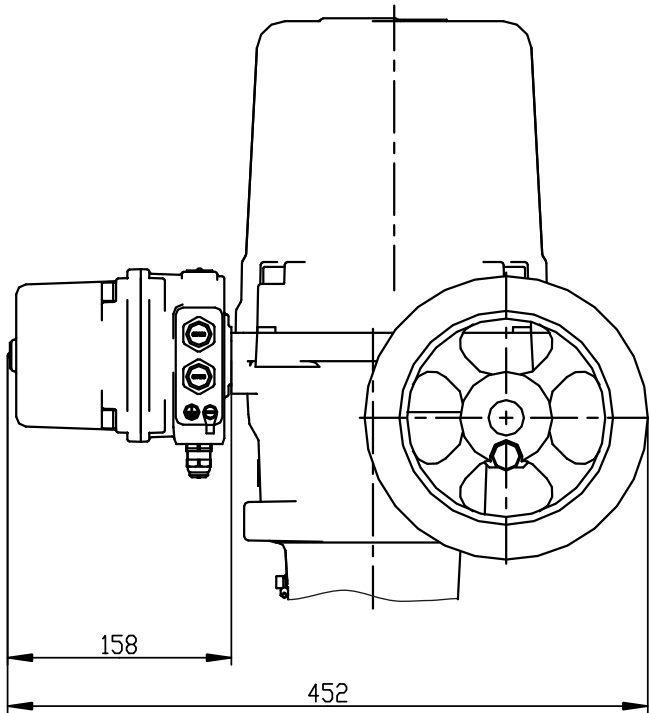
P-2146/B	F10	Ø 102	Ø 70	55	30	60	M20x1.5
P-2146/A	F07	Ø 70	Ø 55	50	25	40	M16x1.5
		d	H	N	W	Z	

P - 2146

ULR 2PA-Ex

„de“

Profibus Modbus



P-2083