

II 2G Ex db IIC T5 Gb
 II 2G Ex db eb IIC T5 Gb ()
 II 2D Ex tb IIIC T100°C Db

REMATIC, DMS3,
 24 V DC (2P)
 (3P)
 PROFIBUS DP V0/V1 MODBUS RTU.
 : LED (, RS-232).
 a a
 « - ».



DMS3

- 220 V AC
- T
- a
- 60 % 100 %
- 2 R1, R2 (18)¹⁾
- READY¹⁾
- - 0/4 - 20 mA, 4 - 12 mA, 12 - 20 mA 0/2 - 10 V¹⁾
- 24 V DC - , ,
- 24 V DC - , ,
- ESD ()
- - 4 - 20 mA a ()¹⁾
- 24 V DC, 40
- (, , .)
- LED
- RS 232
- ISO 5211
- IP 66 / IP 68
- RE3, RE4, RE5¹⁾
- RE1, RE2, RE3, RE4, RE5, READY¹⁾
- PROFIBUS DP V0/V1,
- MODBUS RTU,

1) Profibus Modbus

UPR 2.5PA-Ex

349.	x	-	x	x	x	x	x	/	x	x
------	---	---	---	---	---	---	---	---	---	---

/		o	e	10)			
3.1			-25°C ... +55°C	C3	T5	IP 66/IP 68	1
B2	+		-25°C ... +55°C	C4			2
2			-50°C ... +40°C	C3			3
2			-25°C ... +55°C	C3			6
1	-		-50°C ... +40°C	C4			7
2			-60°C ... +40°C	C3			8

	50 Hz	230 V AC	Z514, Z523, Z515	0		
		220 V AC	Z574c, Z563	L		
	60 Hz ²⁴⁾	120V AC	Z514, Z523, Z515	T		
		110V AC	Z574c, Z563	B		
50 Hz	3x400 V AC	Z532b, Z536b, Z537b	2			
	3x380 V AC	Z574d, Z563a	N			
c	50 Hz	3x400 V AC	Z532f, Z536f, Z537f	E		
		3x380 V AC		F		

230 (220) V AC			3x400 (380) V AC					
31)	«	»	32)	«	»	32)	33)	
	-	-		-	-			50 Hz
1200 Nm	720 Nm	480 Nm	1200 Nm	720 Nm	480 Nm	160 s/90°	135 s/90°	C
600 Nm	360 Nm	240 Nm	1000 Nm	600 Nm	400 Nm	80 s/90°	66 s/90°	D
400 Nm	240 Nm	160 Nm	600 Nm	360 Nm	240 Nm	40 s/90°	34 s/90°	E
800 Nm	480 Nm	320 Nm	800 Nm	480 Nm	320 Nm	20 s/90°	17 s/90°	F
-	-	-				160 s/90°	135 s/90°	L
500 Nm	300 Nm	200 Nm	500 Nm	300 Nm	200 Nm	80 s/90°	66 s/90°	N
						40 s/90°	34 s/90°	P
						160 s/90°	135 s/90°	M
-	-	-	-	-	-	80 s/90°	66 s/90°	O
-	-	-	-	-	-	40 s/90°	34 s/90°	R

	60°	A	
	90°	B	
42)	40° - 100°	M	

DMS3	2P	24 V DC	,	,	-	Z515, Z537b Z537f	F
	3P/2P	0/4 - 20 mA	24 V DC		4 - 20 mA	Z514, Z532b Z532f	G
0/2 - 10 V		,	,		Z523, Z536b Z536f	H	
DMS3 M1	/2P	MODBUS RTU				Z574c, Z547d	M
DMS3 M2						Z563, Z563a	N
DMS3 P1		PROFIBUS DP V0 / V1				Z574c, Z547d	P
DMS3 P2						Z563, Z563a	R

UPR 2.5PA-Ex

349. x - x x x x x x / x x

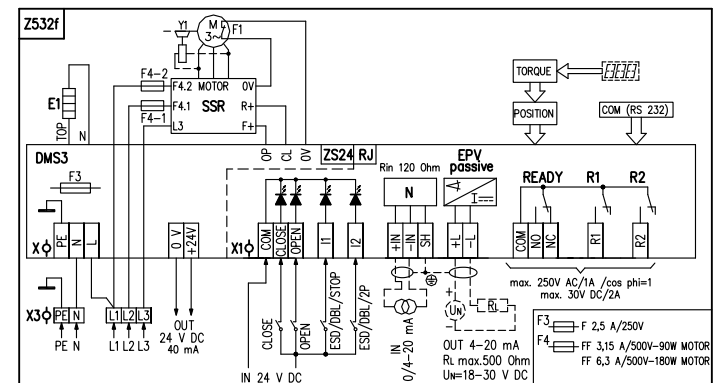
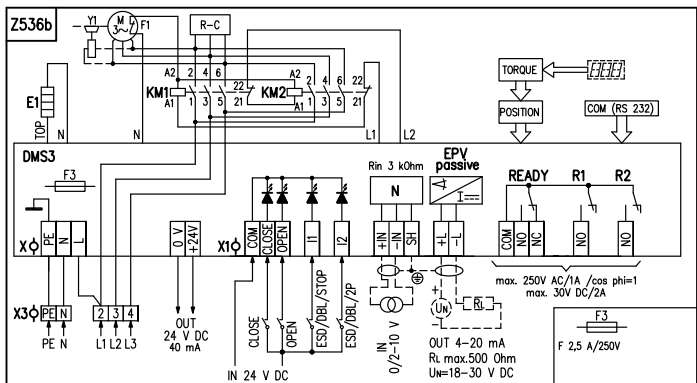
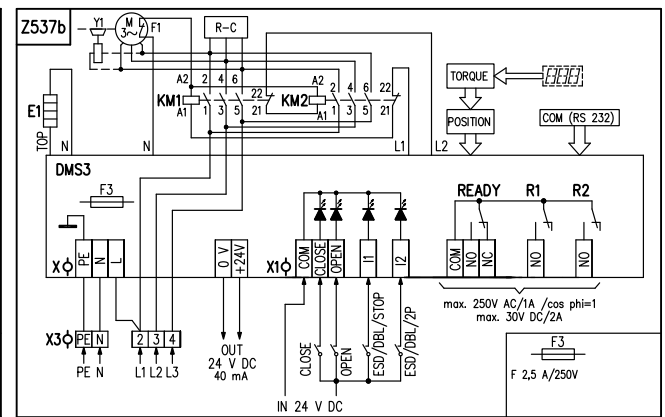
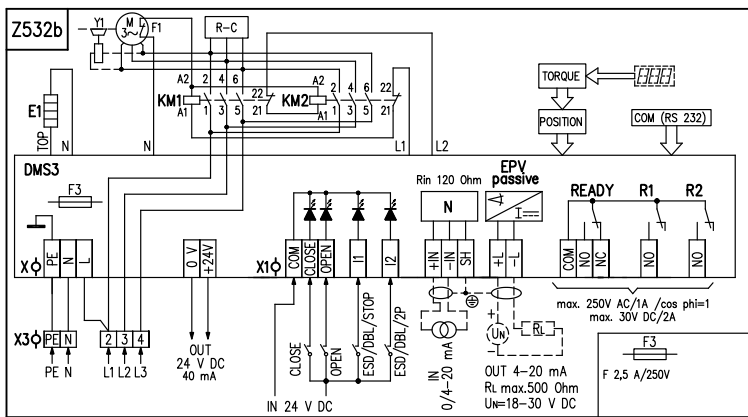
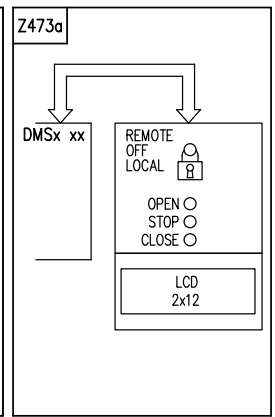
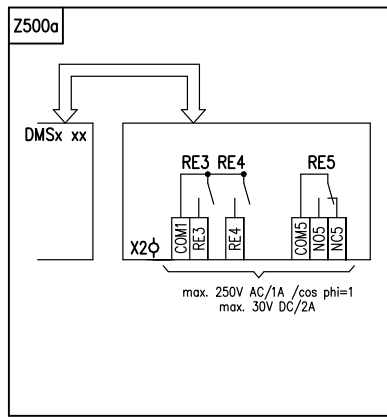
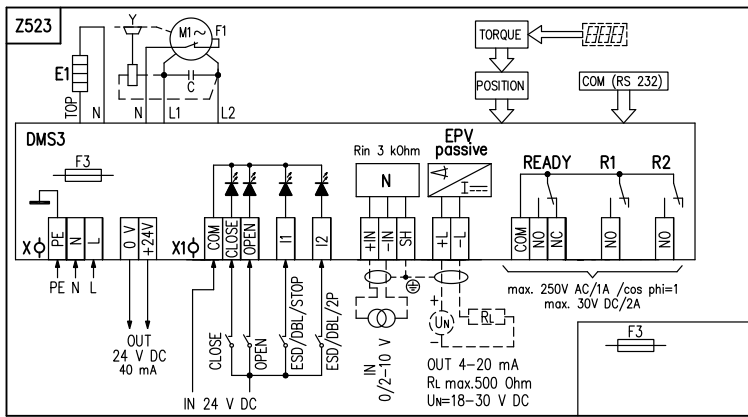
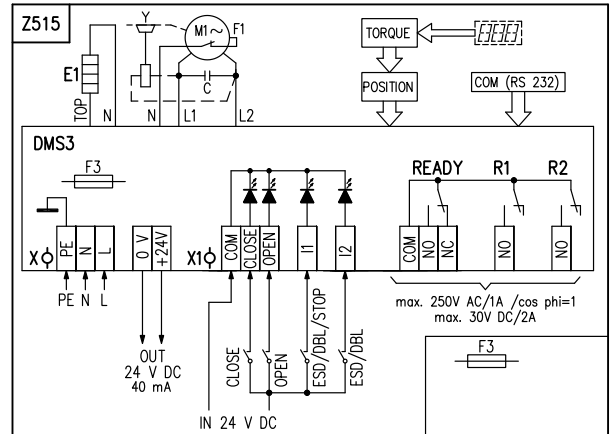
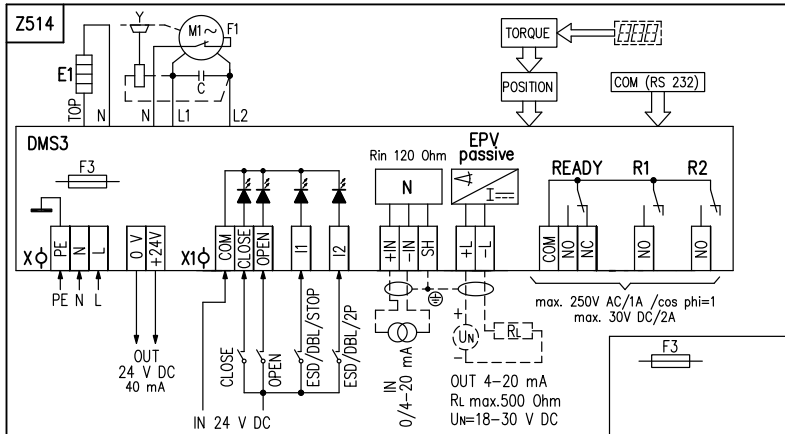
ISO 5211	F14 (F10) ⁶⁰⁾	D-36	36x36	P-2098 P-2083b ⁶⁵⁾	A	
		L-36			B	
		H-36	36x48		C	
		V-48	Ø48 ⁶²⁾		D	
		D-27			E	
		L-27	27x27		F	
		H-27	27x48 ⁶²⁾		G	
		V-42	Ø42 ⁶²⁾		H	
		D-22			P	
		L-22	22x22		Q	
		V-50	Ø50 ⁶²⁾		M	
		V-60	Ø60 ⁶³⁾		V	
		-	Ø10 ⁶⁴⁾		W	
		H-22	22x32		N	
		V-30	Ø30		5	
		V-40	Ø40		7	
		F12 ⁶¹⁾	V-60		Ø60 ⁶³⁾	8
		F12 ⁶¹⁾	H-22		22x32	T

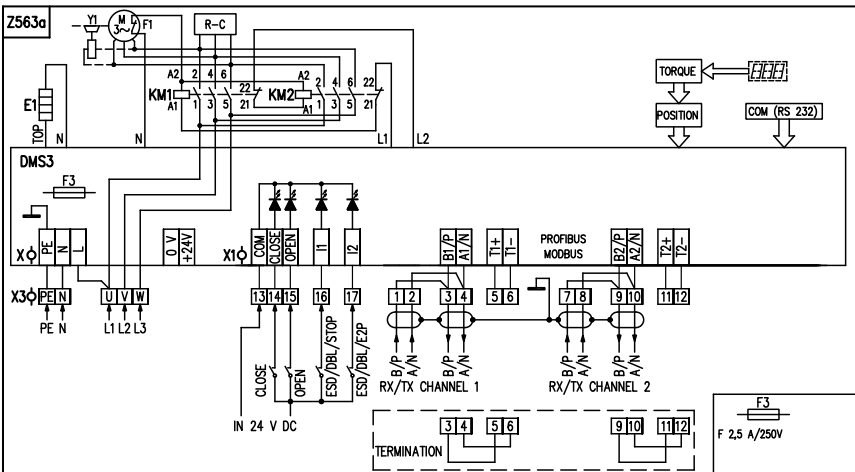
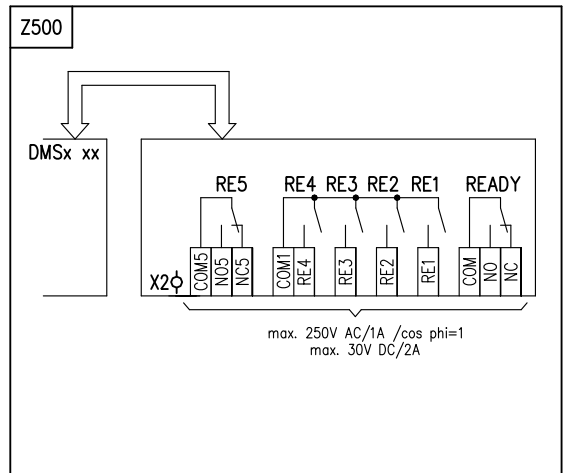
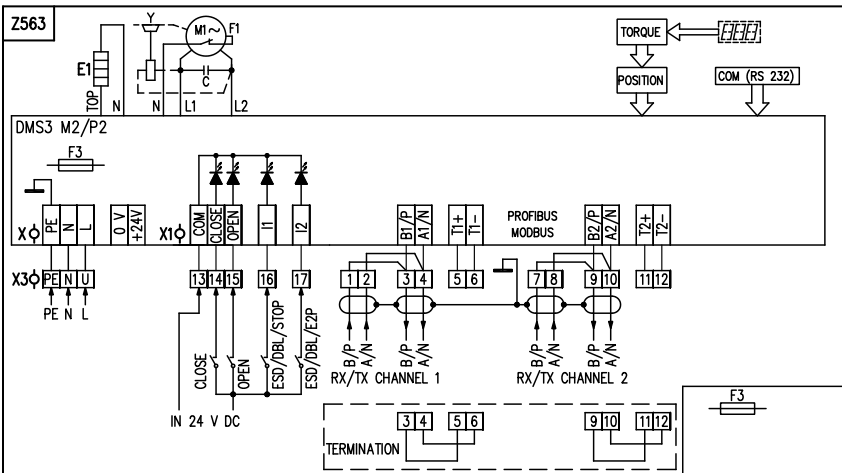
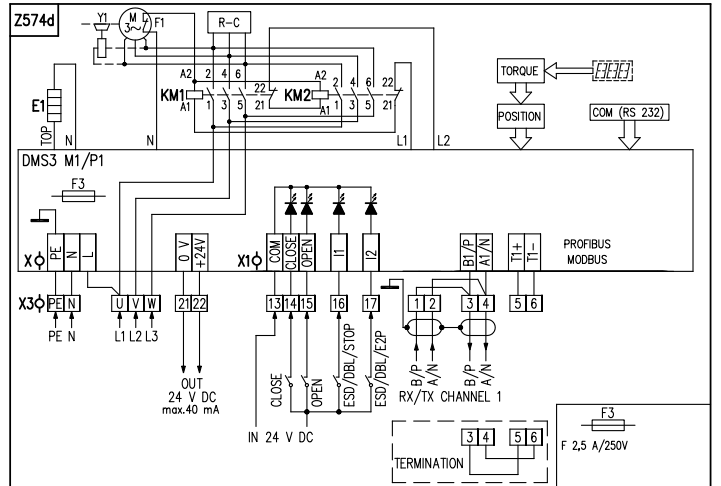
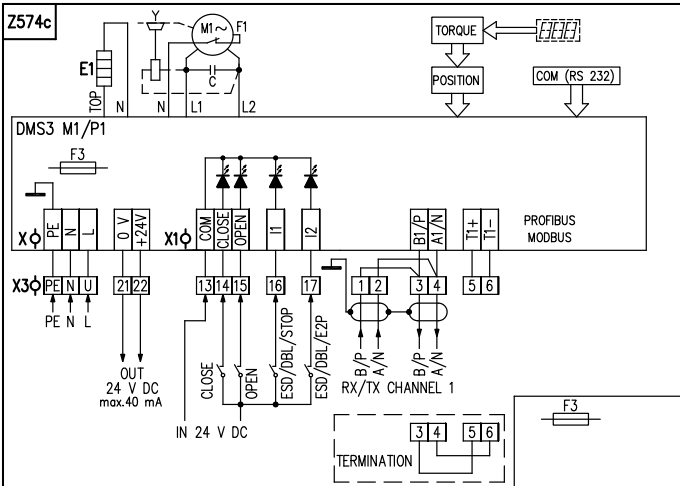
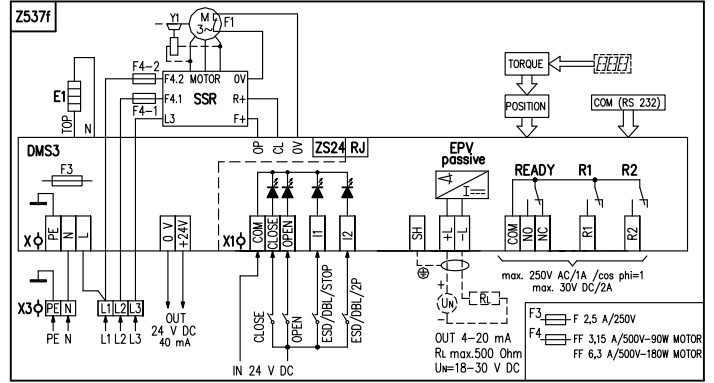
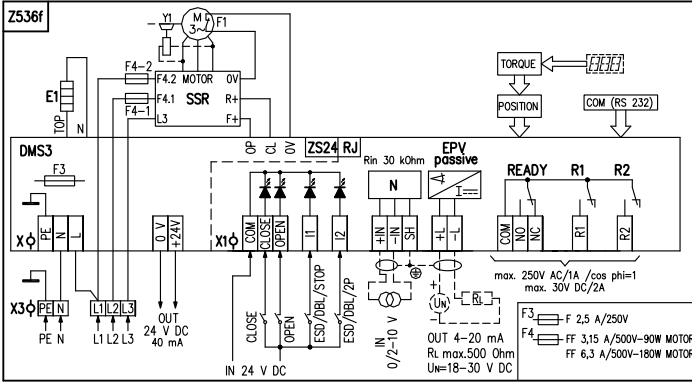
/					
A				0	1
B				0	3
D	RE3, RE4, RE5 (DMS3 RE3) ⁷¹⁾		Z500a	0	5
E	RE1, RE2, RE3, RE4, RE5, READY (DMS3 RE6) ⁷¹⁾⁷²⁾		Z500	0	6
F	LCD (-25°C)		Z473a	0	7
K	„e“ P-2083b. ⁷³⁾		-	1	1
: A+B=20, A+D=22, A+E=23, A+F=24, B+D=29, B+E=30, B+F=31, D+F=40 ,E+F=44, A+B+D=52, A+B+E=53, A+B+F=54, A+D+F=63, A+E+F=67, B+D+F=80, B+E+F=84, A+B+E+F=113, A+B+D+F=114					

DB-9F/RJ45	DMS3	224 A80 100
------------	------	-------------

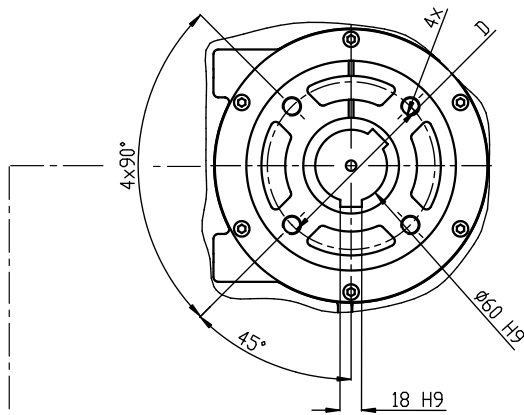
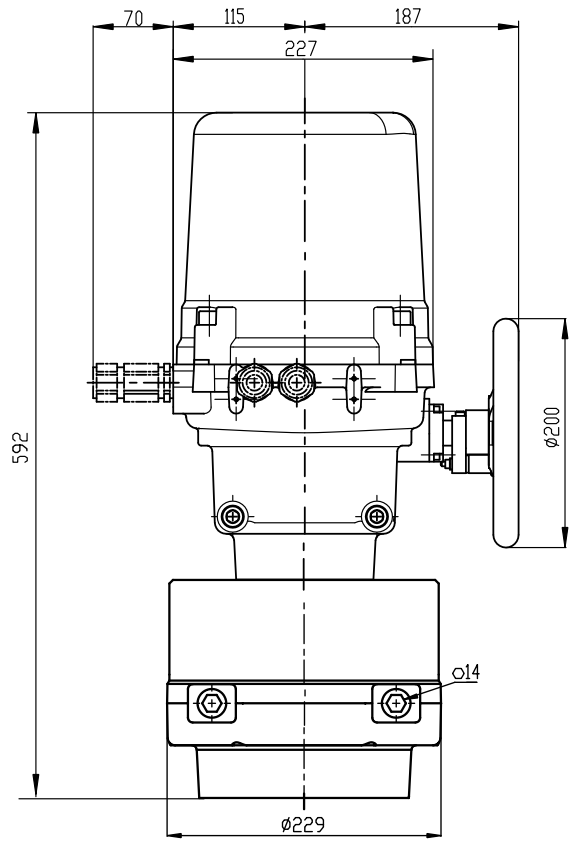
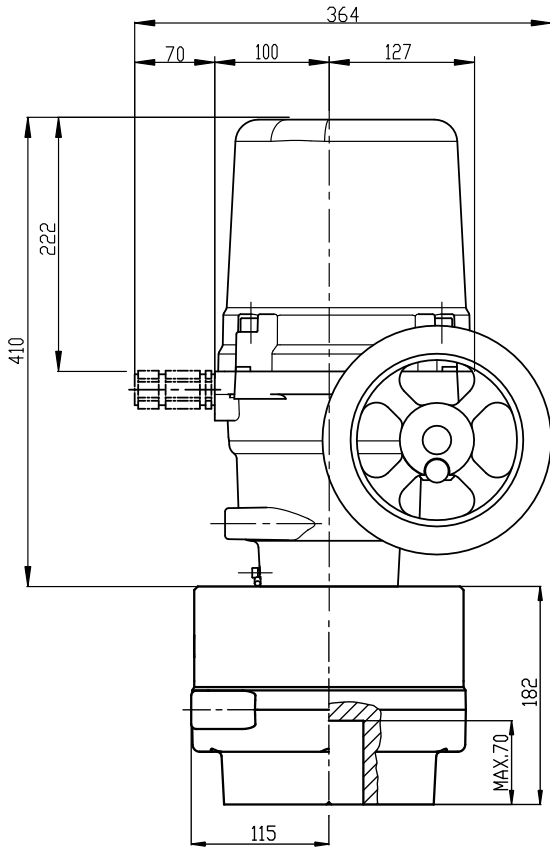
10) :
 11) IP 68 - 10 / 96
 24) 60 , 60 100 % . 80 %
 31)
 32) S2-10 min a S4-25% 90 /
 33) S4-25% , 90 - 1200 /
 42)
 60) F10 - . 500
 61) F12 - . 1000
 62)
 63)
 64) Ø10.
 65) "de"
 71) PROFIBUS MODBUS RTU. Profibus Modbus.
 72) 3x400/3x380 V. „d“ Exd
 73) „e“ „de“ (

UPR 2.5PA-Ex





UPR 2.5PA-Ex



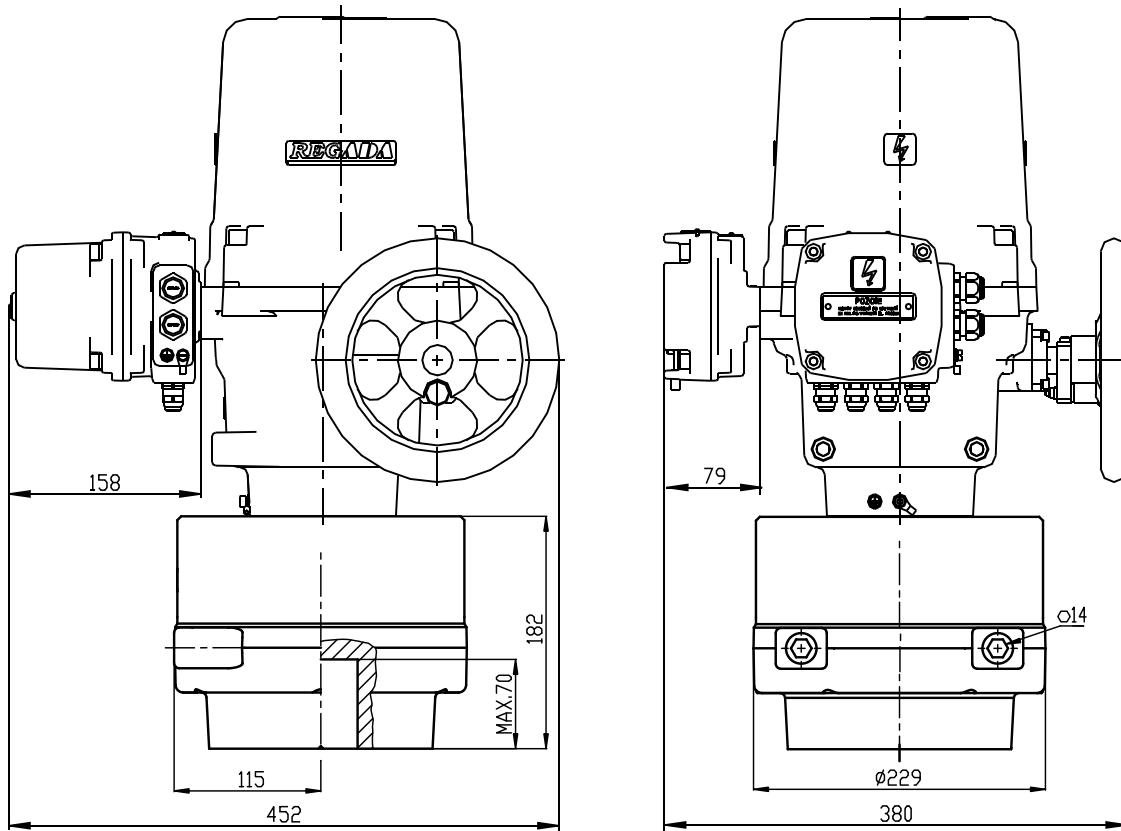
F14 / F10	Ø 140	M16-35	1 200 Nm
	Ø 102	M10-20	500 Nm
F12	Ø 125	M12-25	1 000 Nm
ISO 5211	D	M	

D-xx		L-xx		H-xx		V-xx		V-30xx		
ISO	U	ISO	U	ISO	U	V	ISO	W	Z	X
D-xx	36	L-xx	36	H-xx	36	48	V-xx	60	64.4	18
D-27	27	L-27	27	H-27	27	48	V-50	50	53.5	14
D-22	22	L-22	22	H-22	22	32	V-48	48	51.5	14
							V-42	42	45.1	12
							V-40	40		
							V-30	30		

Profibus Modbus

UPR 2.5PA-Ex

„de“



P-2083b