



CE 1026

INSTALLATION, SERVICE AND MAINTENANCE INSTRUCTIONS



***Explosion-proof electric part-turn
actuators UP 0-Ex, UP 1-Ex, UP 2-Ex,
UP 2.4-Ex, UP 2.5-Ex***

TEST CERTIFICATE

EXPLOSION-PROOF ELECTRIC PART-TURN ACTUATOR

Type number Power supplyVHz

Serial number Switch-off torque..... Nm

Production year Operating times/90°

Wiring diagram Operating angle°

Warranty period months Transmitter.....

Serial number of electric motor

Serial number of transmitter

Serial number of controller

Explosion-proof version: Ex II 2 G Ex d IIB+H₂ T6 Gb + Ex II 2 G c + Ex II 2 D Ex tb IIIC T85°C Db
(valid for UP 0-Ex) or

Ex II 2 G Ex d IIC T5 Gb + Ex II 2 G Ex de IIC T5 Gb + Ex II 2 G c + Ex II 2 D Ex tb IIIC T100°C Db
(valid for UP 1-Ex, UP 2-Ex, UP 2.4-Ex and UP 2.5-Ex)

Final report No.: IECEx FTZU 11.0003X/ FTZÚ 09 ATEX 0316, IECEx FTZU 11.0001X /FTZÚ 09 ATEX 0184,
IECEx FTZU 11.0002X /FTZÚ 09 ATEX 0185

Design and type tests are in accordance with the following standards:

IEC/EN 60 079-0 – Electrical apparatus for explosive gas atmospheres – Part 0: **General requirement**

IEC/EN 60 079-1 – Electrical apparatus for explosive gas atmospheres – Part 1: **Flameproof enclosures “d”**

IEC/EN 60 079-7 – Explosive atmospheres - Part 7: **Equipment protection by increased safety “e”**

IEC/EN 60079-31: Explosive atmospheres – Part 31: **Equipment dust initiation protection by enclosure „t”.**

Tests made in accordance with TP 74 1058 00

Tests made by Packed by

Date Signature and stamp

COMPLETENESS CERTIFICATE

Used valve

Assembled by: Firm

Name

Warranty period months

Date Signature and stamp

INSTALLATION CERTIFICATE

Location

Installed by: Firm

Name

Warranty period..... months

Date Signature and stamp

Please read these instructions carefully before mounting and operating the actuator!

Contents

1. General data	2
1.1 Purpose and applications	2
1.2 Safety instructions	2
1.3 Product influence to environment.....	2
1.4 Data specified on electric actuator	3
1.5 Terminology.....	5
1.6 Instructions for staff training	5
1.7 Warning for safety use	5
1.8 Warranty conditions.....	6
1.9 Under-guarantee and after-guarantee service	6
1.10 Operation conditions	7
1.11 Packing, transport, storing and unpacking	8
1.12 Assessment of the product and packaging and removal of contamination.....	9
2. Description, function and specifications	10
2.1 Description and function.....	10
2.2 Basic specifications	12
3. Installation and dismantling of actuator	20
3.1 Installation	20
3.2 Dismantling.....	22
4. Adjustment.....	23
4.1 Adjustment of the torque unit	23
4.2 Adjustment of position-signalling unit (Fig.3)	24
4.3 Adjustment of resistant transmitter (Fig.4)	27
4.4 Adjustment of the Electronic Position Transmitter (EPV) - the Resistive Transmitter (Potentiometer) with the Converter PTK 1	28
4.5 Adjustment of Capacitive Transmitter CPT1/A (Fig.7)	29
4.6 Adjustment of the DCPT2 transmitter	30
4.7 Adjustment of the operating angle position and adjustment of stop screws (Fig.10-14)	32
4.8 Electric local control (Fig.15)	35
5. Service and Maintenance	36
5.1 Service.....	36
5.2 Maintenance - extent and periodicity	36
5.3 Maintenance to assure inexplosiveness	37
5.4 Troubleshooting.....	39
6. Accessories and Spare Parts	39
6.1 List of the Spare Parts.....	40
7. Enclosures.....	41
7.1 Wiring diagrams UP 1-Ex, UP 2-Ex, UP 2.4-Ex, UP 2.5-Ex	41
7.2 Operation Logic Diagram of switches and relays.....	46
7.3 Dimensional drawings	47
7.4 Guarantee service check report	51
7.5 Post guarantee service check report.....	52
7.6 Commercial representation	53

The Installation, Service and Maintenance Instructions are drawn up according to requirements of EC Executive Nr. 89/392/EEC "Uniform requirements for machines and devices from the point of view of safety and health care", to save life and health of users and to avoid material damages and exposure environment to danger.

1. General data

1.1 Purpose and applications

Explosion-proof electric part-turn actuators (hereinafter **EA**) types **UP 0-Ex, UP 1-Ex, UP 2-Ex, UP 2.4-Ex, UP 2.5-Ex resp. EA with controller** (hereinafter **UP X.X-Ex**) types are high-powered electric-mechanical products, designed for direct installations onto controlled devices (regulating bodies -valves, etc.). EA of **UP X-Ex** types are provided for remote control of closing bodies, and EA with controller for automotive control of regulating bodies in both directions of their movement. They can be equipped with means of measuring and control of technological processes where an unified analogue direct current or voltage signal is an information bearer on their input and/or output. They can be used in heating, energy, gas, air-conditioning and other technological systems, which they are suitable for, regarding their features. They are connected with controlled devices with a flange according to ISO 5211 and a coupling or using a stand and a coupling/a lever.



1. **It is forbidden to use EA as a lifting mechanism!**
2. **Switching of actuator by a semiconductor switches have to be consulted with producer.**

1.2 Safety instructions

Product characteristics from risk point of view

EA are reserved technical devices with higher rate of danger (group A), with possibility of installation in areas specially danger regarding casualties caused by electric current. EA are according to directive LVD 2014/35/EU and standard EN/IEC 61010-1 within valid edition assigned for installation category II (overvoltage category).

In order to demonstrate the compliance with the requirements of the European Council directive on machinery 2006/42/EC, European Parliament and Council Directive 2014/34/EU on equipment and protective systems intended for use in potentially explosive environment (designated as Directive ATEX 100a), directive of the Council 2014/35/EU on LVD and Council Directive 2014/30/EU on EMC, the electric actuators are subject to certification by authorized certification facilities.

The product meets the essential safety requirements according to EN 60204-1 and is in compliance with EN 55011/A1 within valid edition.

1.3 Product influence to environment

Electromagnetic compatibility (EMC): the product complies with the requirements of the Directive 2014/30/EU of the European Parliament and of the Council on the approximation of the laws the Member States relating to the electromagnetic compatibility and with the requirements of standards as well EN/IEC 61000-3-3 and EN/IEC61000-3-2 within valid edition.

Vibrations caused by the product: product influence is negligible.

Noise produced by the product: The maximum allowable noise level (A) of the product measured in a place of operation is 78dB (A).

Electric actuators are made in explosion-proof version: $\text{Ex II 2 G Ex d II B+H}_2 \text{ T6 Gb} + \text{Ex II 2 G c} + \text{Ex II 2 D Ex tb IIIC T85}^\circ\text{C Db}$ (valid for UP 0-Ex) or $\text{Ex II 2 G Ex d IIC T5 Gb} + \text{Ex II 2 G Ex de IIC T5 Gb} + \text{Ex II 2 G c} + \text{Ex II 2 D Ex tb IIIC T100}^\circ\text{C Db}$ (valid for UP 1-Ex, UP 2-Ex, UP 2.4-Ex and UP 2.5-Ex), pursuant to:

EN/IEC 60079-0: Explosive atmospheres – Part 0 : Equipment general requirements – General requirements

EN/IEC 60079-1: Explosive atmospheres – Part 1 : Equipment protection by flameproof enclosures "d"

EN/IEC 60079-7: Explosive atmospheres - Part 7: Equipment protection by increased safety "e".

EN/IEC 60079-31: Explosive atmospheres – Part 31: Equipment dust ignition protection by enclosure „t“, within valid edition.

Electric parts EA are proposed:

- as devices of the group **II** for others threatened areas (excluding mines)
- of the category **2** with demanding requirements for safety
- for use max. in zone **1**
- for atmospheres **G** (gases, vapors or mists) or **D** (combustible conductive dusts)
- to pressure range from 0.8 to 1.1 bar.

Design version is :

- flameproof enclosures “**d**”, increased safety “**e**” or level dust ignition protection by enclosure “**tb**”
- with explosion protection group **IIB+H₂** (UP 0-Ex) or **IIC** (UP 1-Ex - UP 2.5-Ex) or **IIIC** (UP 0-Ex, UP 1-Ex - UP 2.5-Ex)
- and temperature class **T6** (max. permissible surface temperature +85°C; valid for UP0-Ex) or **T5** (max. permissible surface temperature +100°C; valid for UP 1-Ex, UP 2-Ex, UP 2.4-Ex and UP 2.5-Ex).

Zones for installation of explosion-proof electric actuators and conditions for equipment installation are defined in the following standards:

- EN/IEC 60079-10: Electrical apparatus for explosive gas atmospheres
Part 10: Classification of hazardous areas
- EN/IEC 60079-14: Electrical apparatus for explosive gas atmospheres
Part 14: Electrical installations in hazardous areas within valid edition.

Non-electric parts of electric actuators are designed, engineered, manufactured, tested and identified in compliance with the requirements for safety of machinery according to the following standards:

- EN 1127-1: Explosive atmospheres – Explosion prevention and protection
Part 1: Basic concepts and methodology
- EN 13463-1: Non – electrical equipment potentially explosive atmospheres
Part 1 : Basic method and requirements
- EN 13463-5: Non – electrical equipment potentially explosive atmospheres
Part 5: Protection by constructional safety “c” within valid edition.

Equipment identification consists of the following characters:

- Ex** - electric equipment complies with standard EN/IEC 60 079-0 and related standards for the corresponding types of explosion protection.
- d** - identification of the explosion **protection type** - "flameproof enclosure" according to EN/IEC 60 079-1.
- e** - identification of the explosion **protection type** – „increased safety" according to EN/IEC 60 079-7.
- tb** - identification of dust ignition protection by enclosure „t" according to EN/IEC 60 079-31.
- II or III** - identification of the class of non-explosive electric device according to the standard EN/IEC 60 079-0.
- B+H₂** or **C**-identification of the sub-class II of non-explosive electric devices according to the standard EN/IEC 60 079-0.
- T6, T5, T85°C** or **T100°C** - identification of the temperature class of non-explosive electric device class II according to the EN/IEC 60 079-0.
- Gb** - (EPL Gb) identification of the equipment designated for explosive gaseous atmospheres, with "high" level of protection, which is not a source of initiation in standard operation or in case of expected failures.
- Db** - (EPL Db) - identification of the equipment designated for explosive dust atmospheres, having a "high" level of protection, which is not a source o ignition in normal operation or during expected malfunctions.

1.4 Data specified on electric actuator

Nameplate for UP 0-Ex

REGADA Made in Slovakia		CE	IP		
○	TYP		N ^o	○	
	N.m	s/90°		V	A

Warning plate:



Nameplate for UP 1-Ex, UP 2Ex, UP 2.4-Ex and UP 2.5-Ex

REGADA	TYP	N ^o			
		N.m	s/90°	IP	⊕
⊕	CE	Made in Slovakia		V	A

Nameplate contains the basic data concerning identification, performance and electricity: indication of producer, type, serial number, max. load torque and switching-off torque, operating time, protection code, operating angle, supply voltage and current.

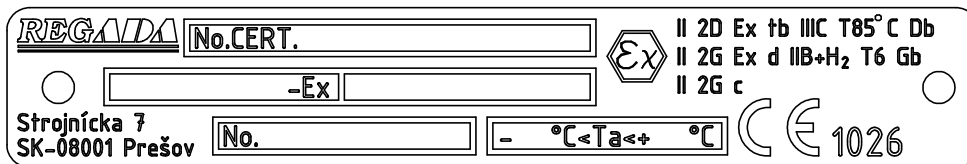
Warning label:

- with identification of the waiting time and requirements for strength of screws.

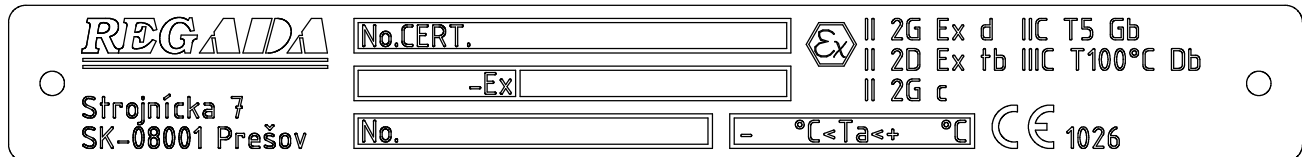


Non-explosive label: identifying the manufacturer, certificate number, type identification, version identification, serial number and version for ambient temperature -25°C to +55°C or -50°C to +40°C.

- for EA UP 0-Ex



- for UP 1-Ex, UP 2Ex, UP 2.4-Ex and UP 2.5-Ex



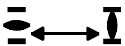
Graphic symbols on electric actuator

The graphic symbols used on electric actuator substitute the text messages. Some of them are in accordance with EN ISO 7010, ISO 7000 and IEC 60417 within valid edition.



Dangerous voltage

(EN ISO 7010-W012)



Stroke of the electric linear actuator



Switching-off thrust



Manual control

(0096 ISO 7000)



Protection terminal

(5019 IEC 60417)

1.5 Terminology

Potentially explosive environment - an environment where explosive atmosphere can occur.

Explosive gas atmosphere - a mixture of flammable substances (in form of gases, vapors or mist) with air under atmospheric conditions, which upon initiation enables the propagation of the combustion in unconsumed mixture.

Maximum surface temperature - maximum temperature occurring during operation in most adverse conditions (but within accepted tolerance limits) at any part of the surface of the electric device, that could result in ignition of the surrounding atmosphere.

Enclosure - all walls, doors, covers, cable glands, shafts, rods, draw bars, etc., that contribute to the level of protection against explosion or to the level of protection (IP) of the electric device.

Flameproof enclosure "d" - type of protection wherein the parts capable of igniting an explosive atmosphere are located within the enclosure, in case of explosion of an explosive mixture within the enclosure, such enclosure will withstand the pressure of the explosion and prevent the propagation of explosion to the surrounding atmosphere.

Increased safety "e" - type of protection applied to electrical apparatus in which additional measures are applied so as to give increased security against the possibility of excessive temperatures and of the occurrence of arcs and sparks in normal service or under specified abnormal conditions.

Dust ignition protection by enclosure "t" - type of protection for explosive dust atmospheres where electrical equipment is provided with an enclosure providing dust ingress protection and a means to limit surface temperatures.

Combustible dust - finely divided solid particles, 500 µm or less in nominal size, which may be suspended in air, may settle out of the atmosphere under their own weight, may burn or glow in air, and may form explosive mixtures with air at atmospheric pressure and normal temperatures.

Conductive dust - combustible dust with electrical resistivity equal to or less than $10^3 \Omega \cdot m$.

Combustible flyings - solid particles, including fibres, greater than 500 µm in nominal size which may be suspended in air and could settle out of the atmosphere under their own weight.

1.6 Instructions for staff training

Requirements for specialized skills of persons performing assembly, operation and maintenance



Electric connection can be performed only by an acquainted person, i.e. an electrical engineer with professional education of electrical engineering at an apprentice school or a technical school (secondary, complete secondary or university education) and whose qualification was verified by an educational facility authorised to verify professional qualification.



Service can be performed only by workers professionally qualified and trained by the producer or contracted service centre!

1.7 Warning for safety use



1. Products are assigned for operation in environment consist of gas, steam and vapours, with temperature range from -25°C up to $+55^{\circ}\text{C}$; and special version for ultra low temperatures from -50°C up to $+40^{\circ}\text{C}$ topressure range from 0.8 to 1.1 bar. EA can be installed at areas specified as zone 1.

It matters about following products are designated for enviroment:

- group II
 - the category 2
 - for type of the atmospheres **G** or **D**
 - subgroup **B+H₂** or **C**
 - temperature class **T6** (valid for EA UP 0-Ex) or **T5** (valid for UP 1-Ex, UP 2-Ex, UP 2.4-Ex and UP 2.5-Ex) .
2. Products are designed according to standards for electrical and non-electrical devices assigned for areas with danger of explosion:
 - for electric parts: EN/IEC 60079-0, EN/IEC 60079-1, EN/IEC 60079-7 and EN/IEC 60079-31.
 - for non-electric parts: EN 1127-1, EN 13463-1 and EN 13463-5.
 3. The maximum surface temperature of the actuator for given group **T6** is not allowed to exceed $+85^{\circ}\text{C}$ and for group **T5** is not allowed to exceed $+100^{\circ}\text{C}$.
 4. If the actuator is placed on device which regulate medium with higher temperature than $+55^{\circ}\text{C}$, protect the actuator by additional construction in order to maintain ambient temperature max. $+55^{\circ}\text{C}$ and also to stop temperature transmitting through junction component!

5. Cable glands blinds are assigned only for transport and storage period, i.e. for period till the actuator is builded into operation with danger of explosion, than blinds must be replace by connecting cable.
6. If any of the cable glands are not used to install a cable, it must be replaced with certified Ex plug of the approved type, secured with Loctite 243 adhesive.
7. Temperature on entry cables is max. 90°C.
8. **ATTENTION: THE COVER CAN BE REMOVED 60 MIN. AFTER POWER SUPPLY IS SWITCHED OFF! USE SCREWS WITH A TENSILE STRENGTH $\geq 700 \text{ N/mm}^2$.**
9. **WARNING – POTENTIAL ELECTROSTATIC CHARGING HAZARD.**

During operation of EA it must be prevented any process with intensive formation of electrostatic charge stronger than manual friction of his surface.

Product protection

EA UP X-Ex does not have own short-circuit protection, therefore there must be included suitable protective device into the supply power (circuit breaker, or fuse), which serves at the same time as main switch.

Type of equipment from a connection point of view: The equipment is designed for permanent connection.

1.8 Warranty conditions

The supplier is responsible for completeness of the delivery and guarantees these specifications of the product which are stated in the Contract.

The supplier is not responsible for any deterioration of parameters caused by the customer during storage, unauthorised installation or improper operation.

1.9 Under-guarantee and after-guarantee service

Our customers are provided with professional service of our firm in installation, operation, service, maintenance, revision and help in troubleshooting for all our products.

Under-guarantee service is performed by the service department of the production plant, or by a contracted service centre according to a written claim.

In case of occurring of any fault please let us know it and state:

- type code
- serial number
- ambient parameters (temperature, humidity...)
- duty cycle including frequency of switching
- type of switching-off (position or torque)
- set switching-off torque
- type of fault - description of claimed fault
- it is recommended to place also Installation certificate.

It is recommended to have **after-guarantee service** performed by the service department of the production plant, or by a contracted service centre, with national laws.

1.9.1 Lifetime of actuators

The lifetime of an electric actuator (EA) is at least 6 years.

EA used for closing mode (closing valves) comply with the requirements for at least **15,000 working cycles** (cycle C – O – C: for part-turn EA)

EA used for regulating/modulating operation (control valves) comply with the below stated numbers of **operating hours** at the total number of 1 million start-ups:

Switching frequency				
max. 1,200 [h ⁻¹]	1,000 [h ⁻¹]	500 [h ⁻¹]	250 [h ⁻¹]	125 [h ⁻¹]
Minimal lifetime expectancy – number of operating hours				
850	1,000	2,000	4,000	8,000

Time of **net operation** is min. 200 hours, max. 2,000 hours.

Lifetime at operating hours depends on loading and switching frequency.

Note : High switching frequency does not ensure better regulation. Setting of regulation parameters should be therefore made with the inevitably necessary switching frequency needed for the process in question.

1.10 Operation conditions

1.10.1 Product location and operation position

EA may be installed and operated in enclosed locations of industrial facilities with no temperature and moisture regulation, protected from direct climatic effects (such as direct sunlight). Moreover, special "marine" versions may be used in waste water treatment applications, water management, selected chemical applications, tropical environments and coastal areas.



Warning:

Actuator installed on the open place must be protected against a direct climate effects by shelter.

Installation and operation of EA is possible in **any position**. Vertical position of output part axis and with the control part above the valve is usual.

1.10.2 Working environment

CLIMATE GROUPS AND TYPES

According to standard IEC 60 721-2-1:

EA have to resist external effects and operate reliably:

- in climatic conditions for the group / type of climate:
 - version „**standard**“ - for climate group **Restricted** (R) + /Warm temperature (WT), Warm Dry (WDr), Mild Warm Dry (MWDr) and Extremely Warm Dry (EWDr) with corrosion resistance C3 resp. C4 (EN ISO 12944-2), with temperatures -25°C to +55°C
 - version „**cold**“ - for climate group **Moderate** (M) / Cold Temperate (CT), Warm Temperate (WT), Warm Dry Temperate (WDr) and Mild Warm Dry (MWDr) with corrosion resistance C3 (EN ISO 12944-2), with temperatures -40°C to +40°C
 - version „**universal**“ - for climate group **General** (G) / Cold (C), Cool Temperature (CT), Warm Temperature (WT), Warm Dry (WDr), Mild Warm Dry (MWDr), Warm Damp (WDa) and Warm Damp Equable (WDaE) with corrosion resistance C3 (EN ISO 12944-2), with temperatures -50°C to +40°C
 - version „**marine**“ - for climate group **World-Wide** (WW) / all climate groups except Extremely cold (EC) and Antarctica inland with corrosion resistance C4 (EN ISO 12944-2), with temperatures -50°C to +55°C

Besides this according to GOST 15 150- 69:

- version „**tropical**“ meet with **Dry and Damp tropics**, for climate types Warm Temperate (WT), Warm Dry (WDr), Mild Warm Dry (MWDr), Extremely Warm Dry (EWDr), Warm Damp (WDa) and Warm Damp Equable (WDaE) with corrosion resistance C3 (EN ISO 12944-2), with temperatures -25°C to +55°C.

Category of location

- versions “**standard**“, “**cold**“, “**universal**” and “**tropical**” are intended for location **under the shelter** (category 2)
- version “**marine**“ is intended for location **on the open space** (category 1)

Atmosphere type

- versions “**standard**“, “**cold**“, “**universal**” and “**tropical**” are intended for location in atmosphere type **II industrial**
- version “**marine**“ is intended for location in atmosphere type **III sea**, type **IV sea industrial**.

According to IEC 60 364-3:1993:

EA have to resist external influences and work for a certainty:

In conditions of external environment marked as:

- warm mild to very hot dry with temperatures -25°C to +55°CAA 7*
- cold, warm mild to hot dry with temperatures -50°C to +40°CAA 8*
- with relative humidity 10÷100%, including condensation with maximum content 0,028kg of water in 1kg of dry, with temperatures stated aboveAB 7*
- with relative humidity 15÷100%, including condensation with maximum content 0,036kg of water in 1kg of dry air, with temperatures stated aboveAB 8*
- with elevation up to 2000 m, with barometric pressure range from 86 kPa up to 108 kPa AC 1*
- with exposure to intensive water jets (IPx6) AD 6*

- with shallow immersion – (protection enclosure IP x 7) AD 7*
- with strong dustiness – with a possibility of influences of inflammable, non-conducted and non-explosive dust; the middle layer of dust; the dust drop more than 350 but not more than 1000 mg/m² per day (products with protection enclosure of IP 6x)AE 6*
- with occasional or casual appearance of corroding and polluting substances (occasional or casual
- expose to corroding or pollute chemical substances during producing or using of these substances); at places where is handled with small quantity of chemical products and these can accidentally get in contact with an electric deviceAF 3*
- with permanent exposure of big amount of corroding or contaminated chemical and salt fog in execution for sea environment, fog sewage water disposal plant and some chemical plantAF 4*
- with a possibility of influences of mechanical stress:
 - medium sinusoid vibrations with frequency in range from 10 up to 150 Hz, with shift amplitude of 0,15 mm for $f < f_p$ and acceleration amplitude 19,6 m/s² for $f > f_p$ (transition frequency f_p is from 57 up to 62Hz)AH 2*
 - medium impacts, shocks and vibrations AG 2*
- with serious danger of plants and mould growingAK 2*
- with serious danger of animal occurrence (insects, birds, small animals) AL 2*
- with detrimental influence of radiation:
 - of stray current with intensity of magnetic field (direct or alternate, of mains frequency) up to 400A.m⁻¹AM2*
 - of sun radiation with intensity > 500 and ≤ 700 W/m² AN 2*
- with effects of medium seismic activity with acceleration > 300 Gal ≤ 600 GalAP 3*
- with direct endanger by storm AQ 3*
- with quick air movement and strong wind AR 3 , AS 3*
- stand on a conductive bottom) BC 3*
- with a danger of inflammable gases and vapours explosion - for Ex of version BE 3N2*
- fire risksBE 2*

* Marking according to IEC 60364-3:1993

1.10.3 Power supply and duty cycle

Power supply:

electric motor.....24 V AC/DC; 120 V AC, 230 resp. 220 V AC; 3x400 resp. 3x380 resp. 3x415 V AC $\pm 10\%$.
control..... 24 V AC resp. 220-240 V AC $\pm 10\%$

Power supply frequency.....50 Hz, or 60**Hz $\pm 2\%$

** Operating time will increase 1,2 times, and torque will decrease 1,2 times

Duty cycle - according to EN/IEC 60034-1, 8:

EA UP X-Ex are designed for **remote control**:

- short-time operation S2-10 min
- intermitted operation S4-25%, max. 90 cycles per hour

EA with controller are designed for **automatic** regulation:

- intermitted operation S4-25%, 90 up to 1200 cycles per hour

Note:

1. Duty cycle consist of load type, load factor and switching rate.
2. Once EA is connected to the external controller unit, also use it as a control EA where the max. load torque reaches the 0.7 multiple of the maximum loading torque for remote operated EA UP X-Ex.

1.11 Packing, transport, storing and unpacking

Surfaces without surface treatment are treated by conservation preparation MOGUL LV 2-3 before packaging .

Conservation is not necessary if the following storage conditions are complied with:

- Storage temperature: -10 to +50 °C
- Relative air humidity max.80 %
- Electric actuators and their accessories must be stored in dry, well ventilated covered spaces, protected against impurities, dust, soil humidity (by placement to racks, or on palettes), chemicals and foreign interventions
- There shall be no corrosive gases present in the storage areas.

The of **UP X-Ex** are delivered in solid packages guaranteeing resistance in accordance with EN/IEC 60 654.

Package is a box. Products in boxes is possible to load on the pallets (pallet is returnable). On the outer side of the package is stated:

- manufacturer label,
- name and type of product,
- number of pieces,
- other data – notices and stickers.

The forwarder is obliged to secure packed products, loaded on transportation means, against self-motion; if open transportation means are used, to secure their protection against atmospheric precipitations and splashing water. Displacement and securing of products in transportation means must provide their stable position, exclude the possibility of their inter-collision and their collision with the vehicle walls.

Transportation can be executed by heatless and non hermetic spaces of transportation vehicles with influences within the range:

- temperature: -25°C up to +70°C (a strange version -50 ° C up to +45 ° C)
- humidity: 5 up to 100 %, with max. water content 0,029 kg/kg of dry air
- barometric pressure 86 up to 108 kPa

After receiving EA check whether during transport or storage the actuator was not damaged. Compare also whether the parameters on their nameplates are in accordance with accompanying documentation or the Contract. If any discrepancy or fault occur inform immediately your supplier.

If the actuators and accessories are not immediately installed, they have to be stored in dry, well-ventilated sheltered rooms, protected against dirt, dust, soil humidity (with placing onto shelves or onto pallets), chemical impacts and encroachment, at ambient temperature from -10°C up to +50 °C and relative humidity max. 80 %, in special version at temperature -50°C do +40°C.

- It is forbidden to store EA outside or in areas not prevented against direct impact of climate.
- Strains of the surface finishing should be promptly removed if any – it can prevent the product against corrosion damages.
- While storing more than one year it is necessary to check lubrication filling before the actuator is put into operation.
- The EA installed but not operated are to be protected the same way as when storing (e.g. with a wrapping).
- After it is mounted onto a valve in free and wet areas or in areas where temperature is changing it is necessary to connect the space heater – to prevent the actuator against corrosion resulted from water condensed in the control part.
- Remove odd conservation grease as late as before putting into operation.

1.12 Assessment of the product and packaging and removal of contamination

The product and its package are made of recycling materials. Do not throw the single parts of the package and of the product after their life but sort them according to instructions in corresponding executives or regulations of environment protection, and allow their recycling.

The product and its packing are not a source of any environment pollution or contamination and do not contain any dangerous waste.

2. Description, function and specifications

2.1 Description and function

EA UP X-Ex are of compact construction. They are composed of two functionally different main parts.

The **gear part** is made up by a flange with a connecting part resp. linear mechanism for connection onto a controlled device, and gears placed in the bottom; on the other side drive mechanisms for control part units are surfaced.

The **control part (Fig. 1, 1a, 1b)** is placed on a control board (1) consisting of:

- electric motor (2) (at single-phase version with capacitor)
- torque unit (5) (controlled with a worm axial shift)
- position-signaling unit (3) with a position transmitter (6) - positioner (resistive - potentiometer, capacitive or electronic position transmitter) (7) and with a mechanical local position indicator (4)
- space heater (8) with thermal switch
- electronic module (9)
- electrical connection through terminals (10), located in the control area and cable glands Ex d version

Additional accessories:

Manual control: made up by a hand wheel with a worm gearing.

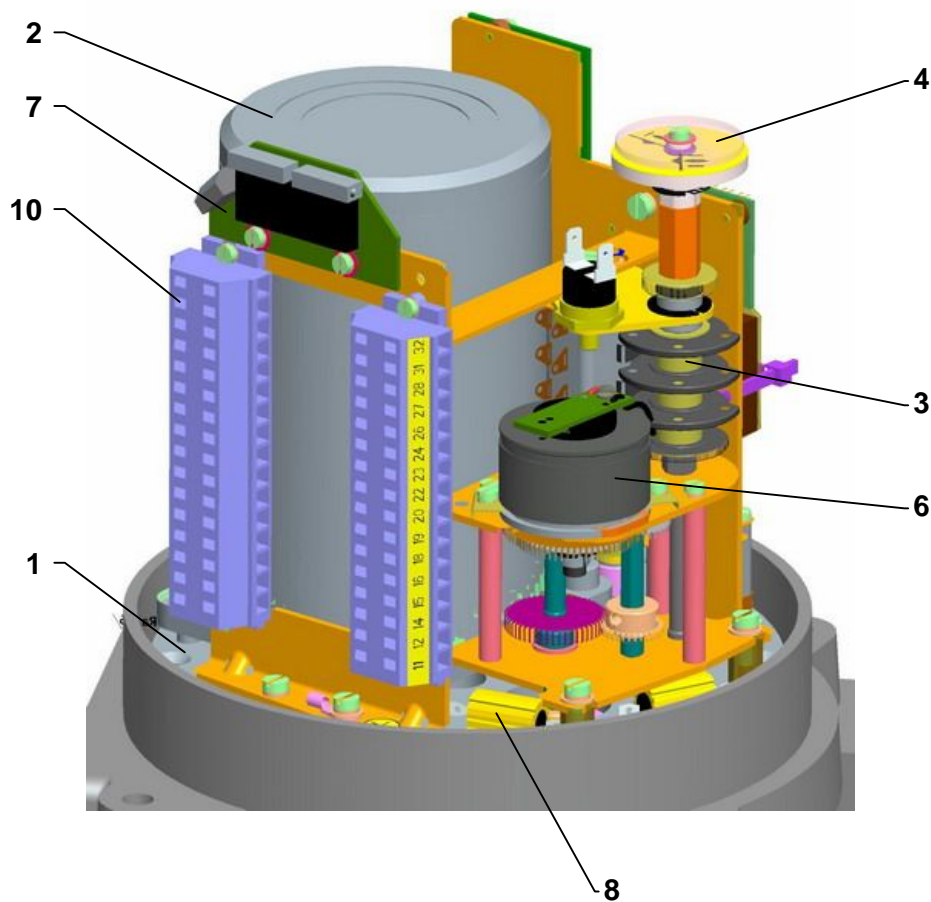


Fig.1

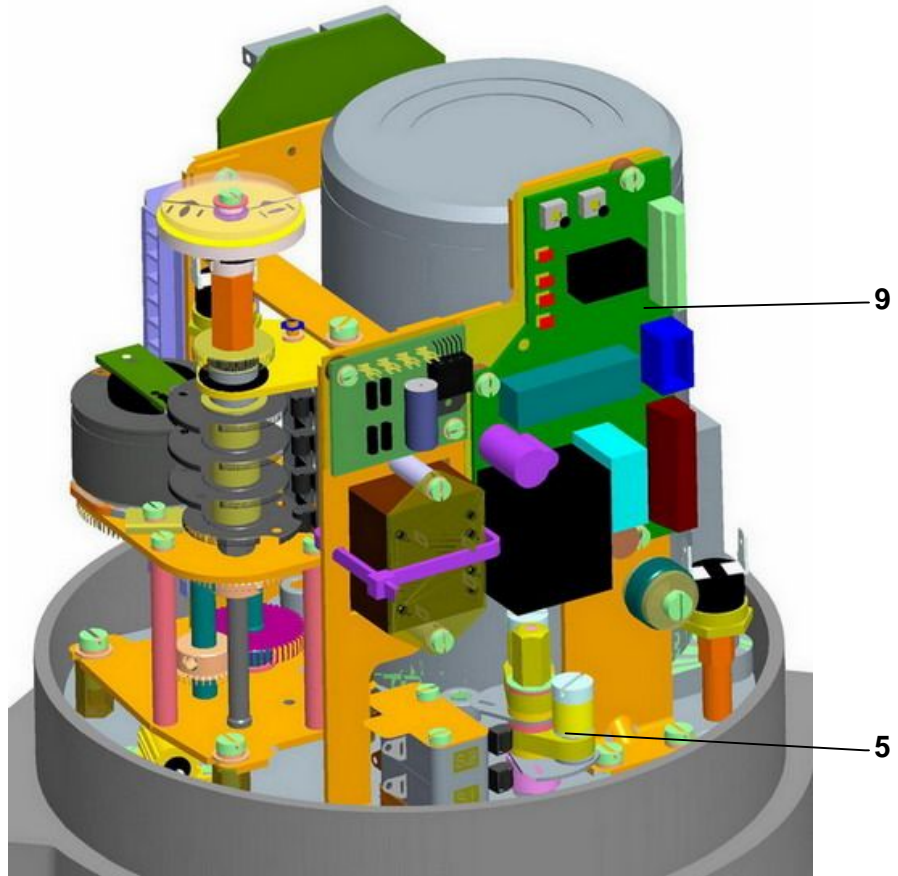


Fig.1a



Fig.1b

2.2 Basic specifications

Basic EA specifications are given in Table 1.

Table 1: Basic Specifications

Type/ Type number	Operating speed 2)		Operating angle	Max. load torque	Switching-off torque ±10 [%]	Weight	Electric motor 1)										
							Power supply voltage		Nominal				Capacitor capacity.				
									power	speed	current						
	[s/90°]		[°]	[Nm]	[Nm]	[kg]	[V]	[W]	[1/min]	[A]	[µF/V AC]						
	50Hz	60Hz						50Hz	60Hz	50Hz	60Hz	50Hz	60Hz				
1	2	3	4	5	6	7	8	9	10	11	12	13					
UP 0-Ex type number 335	5		60, 90, 120, 160, 360	6,5	7,5	5 - 6	Single-phase	230 (220) resp. 24	13,8		375		0,135 resp. 1,35		0,82/500 resp. 82/63		
	10			13	15												
	20			26	30												
	40			47	55												
	60			54	63												
	80																
	5 4			60, 90, 120, 160, 360	6,5	7,5		Single-phase	115 60Hz	13,8	14,2	375	450	0,27		3,3/250	
	10 8				13	15											
	20 17				26	30											
	40 34				47	55											
	60 50				54	63											
	80 66																
	5 4			60, 90, 120, 160, 360	10	12,5		Three-phase	3x400 (3x380) 50/60Hz	7,5 resp. 8,5	6,2 resp. 7,0	1500 resp. 1800		1000 resp. 1200		0,03	
	7,5 6,25				12	18											
	10 8				22	25											
	15 12,5				21	35											
	20 17				44	50											
	22,5 18,5				32	55											
	30 25			54	63												
	5 4			60, 90, 120, 160, 360	10	12,5		Three-phase	3x400 (3x380) 50/60Hz	15	13	1500 resp. 1800		1000 resp. 1200		0,09 resp. 0,105	
	7,5 6,25				12	18											
	10 8				22	25											
	15 12,5				21	35											
	20 17				44	50											
22,5 18,5		32	55														
30 25		54	63														
UP 1-Ex type number 336	5		60, 90, 120, 160, 360	38	22 - 45	14 - 15	Single-phase	230 (220)	40		1300	1250	0,39		5/400		
	10			76	45 - 90												
	20			85	50 - 100												
	40																
	80																
	5 4			60, 90, 120, 160, 360	38	22 - 45		Single-phase	115 60Hz	40		1500		0,67		9,0	
	10 8				76	45 - 90											
	20 17				85	50 - 100											
	40 34																
	80 66																
	5			60, 90, 120, 160, 360	38	22 - 45		Single-phase/ Direct current	24 AC/DC	53		2600		3,1		-	
	10				76	45 - 90											
	20				85	50 - 100											
	40																
	80																
5		60, 90, 120, 160, 360	42	25 - 50		Three-phase	3x400 (3x380) resp. 3x415	73		1300		0,21		-			
10																	
20																	
40																	
80																	

Type/ Type number	Operating speed ²⁾		Operating angle	Max. load torque	Switching-off torque ±10 [%]	Weight	Electric motor ¹⁾												
							Power supply voltage		Nominal			Capacitor capacity							
									power	speed	current								
	[s/90°]		[°]	[Nm]	[Nm]	[kg]	[V]	[W]	[1/min]	[A]	[µF/V AC]								
	50Hz	60Hz																	
1	2	3	4	5	6	7	8	9	10	11	12	13							
UP 2-Ex type number 337	5		60, 90, 120, 160, 360	102	75 - 120	20 - 24	Single-phase	230 (220)	120	2600	1,0	8/450							
	10			144	105 - 170				60	2750	0,7	7/400							
	20			255	180 - 300				20	1350	0,5/043	7/400/5/250							
	40								120 60Hz	120	3100	2,0	8/450						
	80			70	3380					1,1	16/250								
	5	4		102	75 - 120					25	1680	0,71	20/300						
	10	8		144	105 - 170			Single-phase/ Direct current		24 AC/DC	93	3300	4,9	-					
	20	17		255	180 - 300						100	3350							
	40	34								153	110 - 180	3x400 (3x380) resp. 3x415	180		2650	0,6	-		
	80	66		212	150 - 250				90				2740		0,35	-			
	5			UP 2.4-Ex type number 338	60, 90, 120, 160, 360				102	75 - 120	50-51	Single-phase	230 (220)		120	2600	1,0	8/450	
	10								144	105 - 170					60	2750	0,7	7/400	
	20						255	180 - 300	120 60Hz	120				3100	2,0	8/450			
	40									70			3380	0,71	16/250				
	80						255	180 - 300		Single-phase/ Direct current			24 AC/DC	100	3350	4,9	-		
	5	4												153	110 - 180	Three-phase	3x400 (3x380) resp. 3x415	180	2650
	10	8					212	150 - 250				90	2740	0,35	-				
	20	17					255	180 - 300				230 (220)	120	2600	1,0			8/450	
	40	34							60				2750	0,7	7/400				
	80	66					255	180 - 300	120 60Hz			120	3100	2,0	8/450				
	5									102							75 - 120	24 AC/DC	100
	10						144	105 - 170		3x400 (3x380) resp. 3x415						180	2650		
	20			20	1350		0,5/043	7/400/5/250											
	40			255	180 - 300		120	3100		2,0	8/450								
80		70	3380			0,71						16/250							
5		UP 2.5-Ex type number 339	60, 90, 120, 160, 360	102	75 - 120	50-51	Single-phase	230 (220)	120	2600	1,0	8/450							
10				144	105 - 170				60	2750	0,7	7/400							
20				255	180 - 300				120 60Hz	120	3100	2,0	8/450						
40								70						3380	0,71	16/250			
80				255	180 - 300			Single-phase/ Direct current						24 AC/DC	100	3350	4,9	-	
5	4									153	110 - 180	Three-phase	3x400 (3x380) resp. 3x415						180
10	8			212	150 - 250		90			2740	0,35			-					
20	17			255	180 - 300		230 (220)			120	2600			1,0	8/450				
40	34								60				2750			0,7	7/400		
80	66			255	180 - 300		120 60Hz		120	3100	2,0		8/450						
5								102						75 - 120	24 AC/DC	100	3350	4,9	-
10				144	105 - 170			3x400 (3x380) resp. 3x415				180		2650					
20		20	1350	0,5/043	7/400/5/250														
40		255	180 - 300	120	3100	2,0		8/450											
80									70	3380	0,71	16/250							
5		UP 2.5-Ex type number 339	60, 90, 120, 160, 360	102	75 - 120	50-51	Single-phase	230 (220)	120	2600	1,0	8/450							
10				144	105 - 170				60	2750	0,7	7/400							
20				255	180 - 300				120 60Hz	120	3100	2,0	8/450						
40								70						3380	0,71	16/250			
80				255	180 - 300			Single-phase/ Direct current						24 AC/DC	100	3350	4,9	-	
5	4									153	110 - 180	Three-phase	3x400 (3x380) resp. 3x415						180
10	8			212	150 - 250		90			2740	0,35			-					
20	17			255	180 - 300		230 (220)			120	2600			1,0	8/450				
40	34								60				2750			0,7	7/400		
80	66			255	180 - 300		120 60Hz		120	3100	2,0		8/450						
5								102						75 - 120	24 AC/DC	100	3350	4,9	-
10				144	105 - 170			3x400 (3x380) resp. 3x415				180		2650					
20		20	1350	0,5/043	7/400/5/250														
40		255	180 - 300	120	3100	2,0		8/450											
80									70	3380	0,71	16/250							

1) Switching elements for different type of load (also for EA) defines standard EN/IEC 60 947-4-1.
 2) Anomaly of operating time:± 10% at 230 V resp. 220 V AC, 3x400 resp. 3x380V resp. 3x415 V AC.

Additional technical data:

EA protection enclosure: IP 66/IP 67 (EN/IEC 60529)

Mechanical ruggedness:

sinusoidal vibrations: with frequency in range 10 to 150 Hz,
with shift amplitude of 0,15 mm for $f < f_p$,
with acceleration amplitude of $19,6 \text{ m/s}^2$ for $f > f_p$,
(transition frequency $f_p = 57$ to 62 Hz)

drop resistance:300 drops with acceleration 2 m.s^{-2}

seismic resistance:amplitude of the shock off 6 on Richter scale

Self-locking: the EA is self-locked

Electric motor protection: with thermal switch, except UP 0-Ex

EA braking: by roller bief

Output part backlash: max. $1,5^\circ$ at load of 5%-of maximum torque

Electric control:

- remote control (the output element of the EA is controlled with supply voltage), resp. by feeding of unified signal

Adjustment of the limit positions:

The limit position switches are set to the number of work turns with accuracy of $\pm 3\%$ of the stroke specified in the EA nameplate.

Additional position relays (S5,S6) are adjustment 10° beneath the limit switches

Hysteresis of position switches max. 2,5% from operating angle on nameplate

Adjustment of the torque switches:

If other adjustment not specified the switching torque is set to the maximum value with tolerance of $\pm 10\%$.



Readjustment of EA's SP 0-Ex switching-off torque is not possible to do at customer's house!

Switches (S1,S2,S3,S4,S5,S6)**UP 0-Ex:**

Type **DB 6** - equipped with the silver contacts – standard version
250 V AC; 20mA - 2 A; $\cos\varphi = 0.6$;
24 V and 48 V DC; 20mA -1A; $T=L/R=3\text{ms}$;
minimum switch-off voltage: 20 V; switch – over time: max. 20 ms
insulation resistance: 50 M Ω

Type **DB 3**- gold-plated contacts (valid for switches S5, S6, resp. after agreement for switches S3, S4, too)
max. 250 V AC; 1mA - 0,1 (0,05)A;
24 V and 48 V DC, 1mA - 0,1 A ; $T=L/R=3\text{ms}$

UP 1-Ex, UP 2-Ex:

Type **D 38:** **silver contacts** – standard version

voltage 250 V(AC); 50/60 Hz; 16(4) A; $\cos\varphi=0,6$ resp.: 24 V(DC); $T=L/R=3\text{ms}$; min. current 100mA

Type **D 41:** **gold-plated contacts (is not valid for switches S1, S2 in the version with reverse contactors)**

voltage 0,1 (0,05) A, max. 250 VAC; 0,1 / 24 VDC; $T=L/R=3\text{ms}$; min. current 5mA

Relay thrust of switch S1, resp. S2 (ReS11, ReS12):

Model RT 424

- 250 V AC, 8 A; 24 VDC, 8 A; max. switching-on power AC 2000 VA.

Space heater (E1)

Space heater - supply voltage: corresponding with motor supply voltage (24, max. 250 V AC)

UP 0-Ex:

Heating power cca 10 W/55 °C

Switching resistor with thermal switch

UP 1-Ex:

Heating power for range temperature from -50°C : cca 20 W/55 °C

Switching resistorthermal switch

UP 2-Ex:

Heating power for range temperature from -50°C : cca 40 W/55 °C

Switching resistorthermal switch

Thermal switch of space heater (F2)

Supply voltage: corresponding with motor supply voltage (max. 250V AC, 5 A)
 Switching-off temperature:..... +30°C ± 4K
 Switching-on temperature:..... +20°C ± 3K

Manual control:

By handwheel after unscrewing the locking screw (except UP 0-Ex). Rotate the handwheel clockwise to move the output shaft in the direction „Z“(except UP 0-Ex)..

Position transmitters**Resistive position transmitter RP 19:**

Resistance (single **B1**) 100; 2 000 Ω
 (double **B2**) 2x100 Ω, 2x2000 Ω
 Operating life of transmitter 1.10⁶ cycles
 Load capacity 0,5 W do 40 °C, (0 W/125°C)
 Maximum current of sliding contact max.35 mA
 Maximum supply voltage..... $\sqrt{P \times R}$ V DC/AC
 Potentiometer linearity error ±2,5 [%]¹⁾
 Potentiometer hysteresis max. 2,5 [%]¹⁾
 Potentiometer values at limit positions: “O” (open)..... ≥ 93%, ”Z” (closed)..... ≤ 5%

Resistive position transmitter PL 240:

Resistance (single **B1**) 5 kΩ ± 20%
 Operating life of transmitter 1.10⁶ cycles
 Maximum current of sliding contact max.10mA
 Maximum supply voltage 18 V
 Potentiometer linearity error ±2,5 [%]¹⁾
 Potentiometer hysteresis max. 2,5 [%]¹⁾
 Potentiometer values at limit positions
 “O” (open)..... ≥ 93%, ”Z” (closed)..... ≤ 5% from the real value of the resistance

Capacitive (B3): non-contact, life 10⁸ cycles

2-wire connection with built-in power supply or without built-in power supply

The current signal **4 ÷ 20 mA** (DC) is acquired from the capacitive transmitter supplied from the internal or an external voltage supply source. The electronics of the transmitter is protected against eventual wrong polarity and current overloading. The entire transmitter is galvanic insulated so several transmitters can be connected to one external voltage source.

Power supply voltage (with power supply) 24 V DC
 Power supply voltage (without power supply) 18 to 28 V DC
 Ripple voltage max. 5%
 Max power input 0,6 W
 Load resistance 0 to 500 Ω
 Load resistance can be single side grounded.
 Influence of resistance on output current 0,02%/100 Ω
 Influence of voltage on output current 0,02%/1V
 Temperature dependency 0.5% / 10 °C
 Output signal values at limit positions:

“O” 20 mA (terminals 81; 82)

“Z” 4 mA (terminals 81; 82)

Values tolerance of output signal of EPV

“Z” +0,2 mA

“O” ±0,1 mA

DCPT2 – current transmitter (B3)

- **2-wire connection** without built-in power supply or with built-in power supply

Current signal 4 ÷ 20 mA (DC) with optional mirroring (20 ÷ 4 mA)
 Mode of operation contactless, magnetic resistance
 Transmitter increments without gears 0.352 °
 Loading resistor: 0 through 500 Ω
 Operating stroke 35 to 100% of the rated stroke at the gear ratio
 Non-linearity max. ±1 %

Non-linearity - geared	max. $\pm 2,5$ %
Power supply voltage for version without power source	15 through 28 V DC, max. 42 mA
Power supply voltage for version with built-in power source	24 V DC
Operating temperature	-25 to +70°C
Linearity deviation:	$\pm 2,5$ % ¹⁾
Hysteresis	max. 2,5 % ¹⁾
Error messages	by flashing LED

Electronic positional transmitter (EPV) - converter R/I (B3)

2-wire version, resp. 3-wire (without built-in power supply, or with built-in power supply)

Output signal for 2-wire version	4 ÷ 20 mA (DC)
Output signal for 3-wire version	0 ÷ 5 mA (DC)
.....	0 ÷ 20 mA (DC)
.....	4 ÷ 20 mA (DC)
.....	0 ÷ 10 V (DC) – only for UP 0-Ex
Power supply voltage for 2-wire version without built-in power supply	15 to 30 V DC
Power supply voltage for 2-wire version with built-in power supply	24 V DC $\pm 1,5$ %
Load resistance for 2-wire version	max. $R_L = (U_n - 9V) / 0,02A$ [Ω] (U_n – voltage [V])
Power supply voltage for 3-wire version	24 V DC ± 20 % (for UP 0-Ex), $\pm 1,5$ % (for UP 1,2-Ex)
Load resistance for 3-wire version for UP 1,2-Ex	max. 3 k Ω
Load resistance for 3-wire version 0-5mA for UP 0-Ex	max. 3 k Ω
Load resistance for 3-wire version 0-20mA for UP 0-Ex	max. 750 Ω
Load resistance for 3-wire version 0-10 V for UP 0-Ex	max. 10 k Ω
Temperature dependency	max. 0,020 mA / 10 °C
Output signal values at limit positions on the terminal 81,82	„O“ .. 20 mA (5 mA, 10 V)
.....	„Z“ .. 0 mA (4 mA, 0 V)
Values tolerance of output signal	„Z“ +1,5 % ¹⁾
.....	„O“ $\pm 1,5$ % ¹⁾
Linearity deviation	$\pm 2,5$ % ¹⁾
Hysteresis	max. 2,5 % ¹⁾

1) from rated value of transmitter referred to output values

Lubricators :

- see chapter Maintenance - extent and periodicity.

2.2.1 Mechanical connection

– flange (ISO 5211)

Basic and connecting dimensions are given in dimensional drawings.

2.2.2 Electrical connection

Terminals (X) for EA **UP 0-Ex** - max. 24 screw-less terminals

with connecting wire cross-section of 0,08 to 1,5 mm²

Terminals (X) for EA **UP 1-Ex, UP 2-Ex, UP 2.4-Ex, UP 2.5-Ex** - max. 32 screw-less terminals

with connecting wire cross-section of 0,08 to 2,5 mm²

For non-armored cables - as standard (temperature on entry of cables is max. 90°C):

UP 0-Ex:

- 1 cable glands - 1xM16x1,5 ($\varnothing D = 3,2$ to 7,0 mm);
- 1 cable glands - 1xM16x1,5 ($\varnothing D = 5,0$ to 10,0 mm);
- 1 cable glands - 1xM16x1,5 ($\varnothing D = 5,0$ to 10,0 mm);

UP 1-Ex, UP 2-Ex, UP 2.4-Ex, UP 2.5-Ex:

- 1 cable glands - 1xM20x1,5 ($\varnothing D = 3,2$ to 8,7 mm);
- 1 cable glands - 1xM20x1,5 ($\varnothing D = 6,1$ to 11,7 mm);
- 1 cable glands - 1xM20x1,5 ($\varnothing D = 6,5$ to 14,0 mm);

For armored cables - upon special order:

UP0-Ex (with feeder M16/M20) UP 1-Ex, UP 2-Ex, UP 2.4-Ex, UP 2.5-Ex:

- 1 cable glands - M20x1,5 (øD = 3,1 to 8,6 / øD₁= 6,1 to 13,4 mm);
 - 1 cable glands - M20x1,5 (øD = 6,1 to 11,6 / øD₁= 9,5 to 15,9 mm);
 - 1 cable glands - M20x1,5 (øD = 6,5 to 13,9 / øD₁= 12,5 to 20,9 mm);
- øD = connecting cable diameter
 øD₁= outside diameter of the connecting cable with armoring

Wire stripping length of the wires for screwless terminals is from 8 to 9mm.

Table 2: Association of the cable diameter with cable glands type

Version	Thread	Type cable		Encapsulation of cable ¹⁾	Inside/ outside diameter of cable
		non-armored cables and not shielded	armored cables and shielded		
CMP / Stahl	X-20S/16-A2F- M16	M16x1,5	x	b)	3,2 - 7,0 resp. 5,0 - 10,0
	X-20S/16-A2F- M20				3,2 - 8,7 / -
	X-20S-A2F- M20				6,1-11,7 / -
	X-20-A2F- M20				6,5-14,0 / -
	X-20S/16-T3CDS-M20	M20x1,5		b)	3,1-8,6 / 6,1-13,4
	X-20S- T3CDS-M20				6,1-11,6 / 9,5-15,9
	X-20- T3CDS-M20				6,5-13,9 / 12,5-20,9
	X-16s-PXSS2K- M16	M16x1,5	x	b)	3,2-8,7
	X-16-PXSS2K- M16				6,1-11,7
	X-20s/16-PXSS2K - M20	M20x1,5		b)	3,2-8,7
	X-20s-PXSS2K - M20				6,1-11,7
	X-20-PXSS2K - M20				6,5-14,0
	X-16s-PX2K-M16	M16x1,5		a)	3,1 – 8,7 / 6,1-11,5
	X-16-PX2K-M16				6,5-14,0 / 12,5-20,9
X-20s/16-PX2K-M20	3,1-8,6 / 6,1-13,4				
X-20s-PX2K-M20	6,1-11,6 / 9,5-15,9				
X-20-PX2K-M20	6,5-13,9 / 12,5-20,9				
Pflitch / Peppers	12.20..13CR.exd / CR- ^{****} 16	M20x1,5		b)	3,4 – 8,4 / 9,0-13,5
	12.20..16CR.exd / CR- ^{****} 20S				7,2-11,7 / 12,9-16,0
	12.20..21CR.exd / CR- ^{****} 20				9,4-14,0 / 15,5-21,1
	15.20d13CRCexd / CR-C ^{****} 16			a)	9,0-11,7 / 9,0-13,5
	15.20d16CRCexd / CR-C ^{****} 20S				10,4-11,7 / 11,5-16,0
15.20d21CRCexd / CR-C ^{****} 20	12,5-14,0 / 15,5-21,1				
Hawke	ICG 623/Os/M20	x		a)	3,0-8,0 / -
	ICG 623/O/M20				7,5-11,9 / -
	ICG 623/A/M20				11,0-14,3 / -
	501/453/Os/ M20	x		b)	3-8 / 5,5-12
	501/453/O/ M20				7,5-11,9 / 9,5-16
	501/453/A/ M20				11-14,3 / 12,5-205
	ICG 653/UNIV/Os/M20			a)	8,9 / 5,5-12,0
	ICG 653/UNIV/O/M20				8,9 / 9,5-16
	ICG 653/UNIV/A/M20				11 / 12,5-20,5

¹⁾ Encapsulation of cable:

- a) Barrier glands – type of gland with Compound (Barrier) Seal
- b) Sealing of cable core using the filling compound see section 3.1.2 Cable routing and connection.

Attention: Thermic resistance incoming wires must be minimum +90°C.

Table 3: Wire cross-section conversion table (mm² – AWG)

Wire cross-section	
mm ²	AWG
0,05	30
0,2	24
0,34	22
0,5	20
0,75	18
1,5	16
2,5	14

Protective terminal:

Upon start-up in operation - at equipment installation:

- for safe use of the actuator it is necessary to connect the outside and inside grounding terminal. The position of the outside and inside grounding terminal can be seen in Fig. 1c and Fig. 1d. HP3 insulated eyelet crimping pliers should be used to crimp wire to the outside grounding terminal (fy CEMBRE).

- a power switch/circuit-breaker must be installed on the power supply cable, as close as possible to the device, easily accessible to the operator and identified as the actuator disconnecting device.

Outside and inside, mutually interconnected and identified with a protective grounding symbol.

The electric connection should be made according to wiring diagrams pasted into the top cover of the EA.

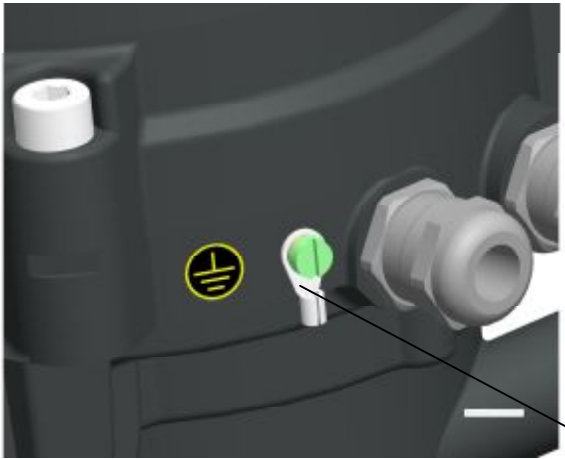
Product protection

We recommend to use fuses for protection of product.

Table 4: Fuse values and characteristics

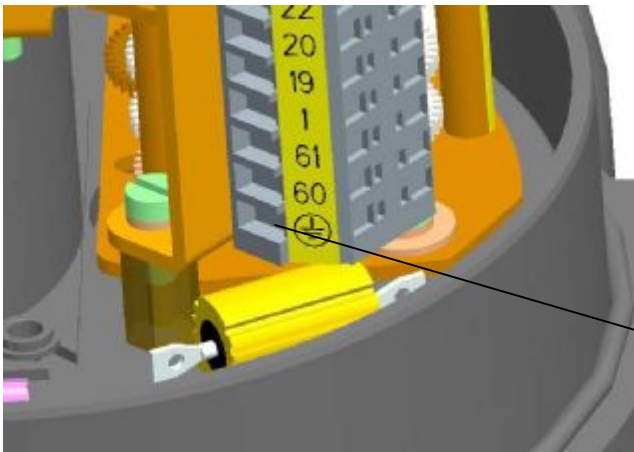
Type	Order code	Voltage	Frequency (Hz)	Electric motor Power / Power input (W)	max. current EA (A)	Fuse values F3
UP 0-Ex 335	335.X-0XXXX/YY	230 VAC	50	13,8/31	0,22	T 0,500 A / 250 V
	335.X-LXXXX/YY	220 VAC				
	335.X-3XXXX/YY	24 VAC	50/60		2,2	T 3,15 A / 250 V
UP 1-Ex 336	336.X-0XXXX/YY	230 VAC	50	40/90	0,8	T 1,6 A / 250 V
	336.X-LXXXX/YY	220 VAC				
	336.X-9XXXX/YY	3x400 VAC 3x415 VAC	50	73/110	0,42	T 0,8 A / 250 V
	336.X-MXXXX/YY	3x380 VAC				
UP 2-Ex, UP 2.4-Ex, UP 2.5-Ex 337, 338, 339	337.X-0XXXX/YY	230 VAC	50	20/75	0,45	T 1 A / 250 V
	337.X-LXXXX/YY	220 VAC				
	337.X-0XXXX/YY	230 VAC	50	60/120	0,86	T 1,6 A / 250 V
	337.X-LXXXX/YY	220 VAC				
	337.X-9XXXX/YY	3x400 VAC	50	90/150	0,56	T 1,0 A / 250 V
	337.X-2XXXX/YY	3x415 VAC				
	337.X-MXXXX/YY	3x380 VAC				
	337.X-0XXXX/YY	230 VAC	50	120/228	1,3	T 1,6 A / 250 V
	337.X-LXXXX/YY	220 VAC				
	337.X-9XXXX/YY	3x400 VAC	50	180/300	0,82	T 1,6 A / 250 V
	337.X-2XXXX/YY	3x415 VAC				
	337.X-MXXXX/YY	3x380 VAC				
337.X-NXXXX/YY	3x380 VAC					

Electric connection: - according to the wiring diagram stuck into the case of the EA.



OUTSIDE
GROUNDING
TERMINAL

Fig.1c



INSIDE
GROUNDING
TERMINAL

Fig.1d

3. Installation and dismantling of actuator



Abide by safety measures!

Note:

Check again if placement of EA reply to chapter "Operation conditions". In case that operation conditions are different from recommended, consultation with producer is needed.

Before starting of mounting the EA onto the valve:

- Check again whether the EA was not damaged during storing.
- Check whether the adjusted operation stroke and connecting dimensions of the actuator (see the nameplate) are in compliance with the valve parameters.
- In case of inconsonance, perform adjusting according to the part "Adjustment".

3.1 Installation

EA is by the producer adjusted to parameters according to the nameplate.
Before installation put the hand wheel on.

3.1.1 Mechanical flange connection

- Defat the abutting areas of the connecting flange of the EA valve or the gear carefully;
- Lubricate the output shaft of the valve/gear with a grease not containing any acids;
- Set the EA to the limit position "closed", set the valve to the same position;
- Put the EA onto the valve with the output shaft reliably stalled in the valve coupling/gear;
- **Attention! Do not adjust EA on an armature forcibly because of damage of the gear!**
- Use the hand wheel to turn the EA to fit the openings in the EA and valve flanges if needed;
- Check whether the connecting flange abuts with the valve/gear;
- Fix the flange with four screws (with mechanical strength min 8G) fixed the way the actuator can Be moved. Tighten the screws equally in cross;
- At the end check the correctness of the fixture with the valve with rotating the hand wheel.

3.1.2 Cable routing and connection

Direct entry to flameproof enclosure (compound filling around cable cores):

Cable glands system must comply with the requirements of EN 60 079 art.10.4.2 direct entry to class flameproof enclosure group **IIB+H₂** resp. **IIC**.

Cable glands threads are secured against loosening by **Loctite 243** adhesive.

Therefore during installation of the actuator the customer is required to **apply non-explosive sealing device** using a compound filling material (as an example MC35/K21 - Camattini) and sealing tubes.

Temperature on entry cables is max. 90°C.

Follow the following instructions when compound filling the cable glands:

- 1) Remove sufficient length of cable sheathing - minimum length of compound filling must be at least 20mm.
- 2) Apply silicone putty on individual cable core branching and to the cut edge of the sheathing to prevent overflowing of the filling compound during subsequent filling. Apply sealing tubes over cable cores and press the beveled inside edge to the cable sheathing.
- 3) Fill the tube with the cable core using the filling compound prepared according to the instructions.
- 4) After the compound has cured (about 24 hour) clean the cable under the tube. Remove the tightening nut, compression ring and sealing o-ring from the actuator cable glands and slip these parts over the cable. Route the cable through the body of the cable glands into the actuator and tighten the nut.
- 5) Connect individual wire cores to the terminals.

Advantage: in case of replacement or repair of the actuator, there is no need to cut the cable, it is just released from the cable glands.

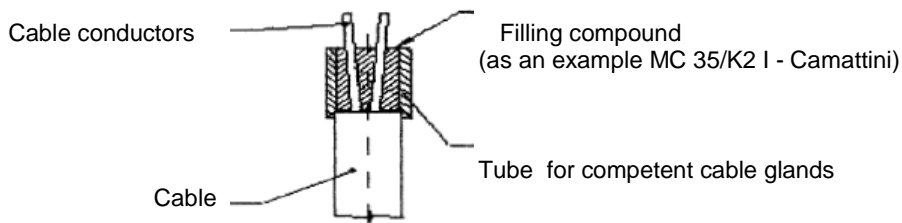
Sealing of cable core using the filling compound:

Fig. 1e

3.1.3 Electric connection and checking of function

Follow up with connecting the EA with mains or master system.



1. Follow instructions in the part "Requirements for professional qualification"!
2. While laying electrical line abide by the instructions for heavy current installations. Power supply cables must be of the type approved. Minimum thermal resistance of power supply cables and wires must be +90°C.
3. Cables to terminal boards or connectors lead through screw cable glands.
4. Before initiation ES into operation internal and external protection terminals are needed to be connected.
5. Feeding cables are to be fixed to the solid construction at most 150 mm from the cable glands.
6. Torque switching is not fitted with mechanical interlocking device (except for UP 2-Ex, UP 2.4-Ex, UP 2.5-Ex).

Connection with the terminal board:

Before the connection remove the actuator case and check whether the type of current, power supply and frequency correspond with the data on the actuator nameplate.

Electric connection:

- The electric connection should be realized according to the wiring diagram stuck into the case of the EA;
- The electric connection should be performed through two cable glands see No. 2.2.2.
- Once electrical services are completed put on the cover and fasten it evenly crosswise by bolts. Fasten the cable glands to ensure specified shielding.

Notes:

1. To connect the input control signals and output signals is needed to use shielded wires with steel wire braid (Galvanised Steel Wire Braid GSWB Ξ), for example cable type "Bruflex ® HSLCH", 4x0, 5 (company Bruns Kabel).
2. The EA are delivered with cable glands which in case of correct tighten are onto the supply lead allow the protection enclosure of IP 68.
3. The cable is to be fixed the way corresponding with its allowable bending radius not to damage or deform the sealing element of the cable lead. The supply leads have to be fixed onto a fixed construction max. 150 mm from the leads.
4. It is recommended to connect the remote transmitters with shielded wires.
5. The face areas of the control part cover should be clean before fixing it back.
6. The EA is reversible if the time interval between the power supply is switched off and on for the reverse direction of the output part motion is at least 50 ms.
7. The allowed delay after it is switched off, i.e. time from the switches reaction up to the motor without any voltage is 20 ms maximally.



Observe the valve manufacturer's instructions with respect to the requirement to ensure switching-off in limit positions through position or torque switches!

Caution:



1. Power supply to the actuator and connections with switching, protective and safety devices may be carried out only by personnel with appropriate qualification, in compliance with the corresponding standards and wiring diagrams, such as those specified in the Instruction

Manual...

2. All terminal connections must be checked after connection of the power supply cables. The conductors must not apply any bending or tensile stress upon the connecting terminals. The following measures should be taken when using aluminum conductors:
3. Immediately before connecting the aluminum conductor, it is necessary to remove the oxide layer on the surface and prevent the oxidation by application of neutral vaseline to protect the connection.

After connection, check the correct direction of the actuator shaft rotation by short activation of the actuator in intermediate position. This can also be checked by using a stick made of insulating material to activate the corresponding micro-switch - limit, position or torque (depending on the type of actuator control) during operation of the actuator.

If the actuator does not stop, but stops upon signal from micro-switch corresponding to the opposite rotation direction, you will need to change the direction of rotation of the actuator output shaft. In case of an actuator driven by single-phase electric motor, the direction of rotation can be changed by switching the supply cables on the terminals of the electric motor.

In case of actuators with three-phase electric-motor, interconnect one of the pairs of conductors on terminals U, V, W of the actuator terminal board. Repeat the function test again.

Important!

- 1) During adjustment, repair and maintenance, secure the actuator by prescribed means in order to prevent its power-up resulting in the possibility of electric shock injury or injury by rotating parts.
- 2) When reversing the operation of actuators with single-phase electric motor, power supply must never be connected simultaneously to both outputs of the start-up capacitor at the same time, otherwise the capacitor could discharge through torque switch contacts resulting in their sticking together.

After adjustment of the actuator, check its operation using the control circuit. Especially make sure that the actuator starts-up correctly and that the electric motor is disconnected from power supply after triggering of the corresponding micro switch. Otherwise immediately disconnect the power supply to the actuator to prevent damage to the electric motor and try to locate the malfunction.

After the EA is electrically connected it is advised **to check functions:**

- After the EA is electrically connected to check the correct functions of the position and the torque switches S1 - S6 and if needed adapt the order of the single phase leads for the 3-phase electric motor.
- Set the valve manually into an mid-position.
- Connect the power supply to the terminal for supplying the EA in the direction "opening" and follow the direction of the output shaft of the actuator rotation. When EA is connected correctly, the output shaft of EA, into the actuator control part from the top, must rotate counterclockwisely. If not, it is necessary to change the phase leads L1 and L3 on the terminals 2 and 4 mutually, valid for 3-phase electric motor. After the exchange is made check the direction of the EA rotation.
- If any of the functions is not correct, check the switches whether they are wired properly according to the wiring diagrams.

3.2 Dismantling



Attention!

Before disassembly is necessary to disconnect electric supply of electric actuator!

Secure by prescribed way protection against connection of EA to the network and thus potential electrical accident!

- Disconnect the EA from mains.
- Disconnect the leads from the EA terminal boards and loosen the cables from cable glands. Pull out the connectors in case of the connector version.
- Loosen the fixing screws of the EA flange and coupling screws and disconnect the EA from the valve.
- While sending the EA to be repaired put it into a package solid enough to avoid damages of the EA during transportation.

4. Adjustment



Keep safety regulations! Follow the prescribed procedure to assure that the EA is not connected to mains when live not to cause any injury by electrical current!

After mechanical connection, electrical connection and checking of connection and function start setting and adjustment of the device.

The adjustment is performed with the EA mechanically and electrically connected and the connection and functions were checked. The chapter describes the adjustment of the EA to the parameters given in the nameplate in case that any of its parts is out of tune. The adjusting parts on Fig.1.

Definition of the direction of movement:

- movement direction "close" - the output shaft of the actuator rotates in the clockwise direction when looking into the actuator control part from the top.

4.1 Adjustment of the torque unit

The switching - off torque are adjusted by the producer for both directions, i.e. for the direction "opening" (the torque switch S1) as well as for the direction "closing" (the torque switch S2) to the specified value with tolerance of $\pm 10\%$. If not stated else they are adjusted to the maximum rate.

It is impossible to align and adjust the torque unit for EA **UP 0-Ex** actuator to alternative values of torque without test equipment to measure torque.

Adjustment and setting of the torque unit for EA **UP 1-Ex** actuator to alternative torque values is possible through the use of adjustment screws according to **Fig. 2**. Switching-off torque can be reduced by rotating the graduated screws along the gauge mark on the arm of the torque unit. Adjustment to longest mark results in resetting the switching-off torque to maximum value. Adjustment to the shortest mark results in the reduction of the switching-off torque.

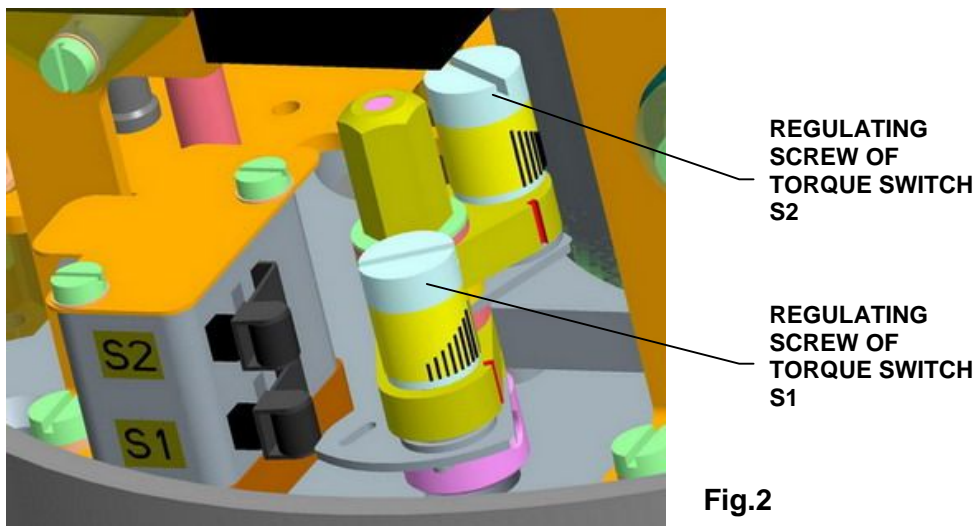


Fig.2

Adjustment and setting of the torque unit for EA **UP 2-Ex, UP 2.4-Ex, UP 2.5-Ex** actuator to alternative torque values is possible through the use of adjustment segments according to **Fig. 2a**. Torque can be reduced by releasing the screw and sliding the graduated segment along the gauge mark on the arm of the torque unit.

Adjustment towards M results in resetting the switching-off torque to maximum value. Adjustment towards 0 results in reduction of the switching-off torque.

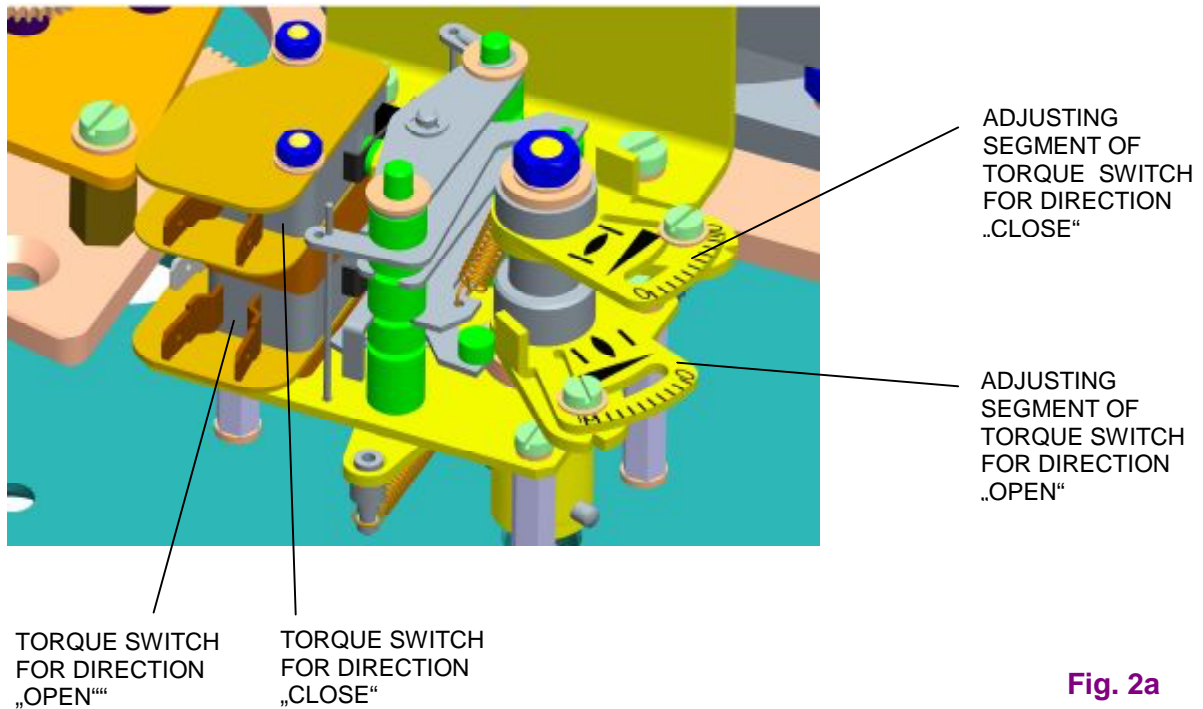


Fig. 2a

4.2 Adjustment of position-signalling unit (Fig.3)

UP 1-Ex, UP 2-Ex, UP 2.4-Ex, UP 2.5-Ex (Fig.3):

By default the actuator is set by the manufacturer to standard stroke (according to specification), as specified in the nameplate.

While setting, adjusting and resetting follow these steps (Fig. 3):

- in the version with a resistant transmitter (Fig.4) disengage the transmitter;
- loosen the nut (22) with simultaneous holding the central milled nut (23) and then loosen the nut (23) fixing the cams still having the belleville springs which create axial thrust;
- reset the EA to the "Open" position and rotate the cam (29) clockwise (when viewing the actuating plate from above) until switch S3 switches over (25);
- reset the EA by the angle where the "Open" position is to be indicated and turn the cam (31) clock-wise until switch S3 switches over (27);
- reset the EA to the "Closed" position and turn the cam (28) counter clockwise until switch S4 switches over (24);
- reset the EA back by the angle where the "Closed" position is to be indicated and turn the cam (30) counter clockwise until switch S6 switches over (26);
- once the EA is adjusted manually tighten the central milled nut (23) to lock the cams and tighten the lock nut (22) while simultaneous holding the milled nut;
- swing the position indicator discs (31) for the given operating stroke against the gauge mark on the top cover sight;
- once of the position- signalling unit is adjusted also adjust the position transmitter, converter or controller.

There is an option of bi-directional signalling at all operating stroke time, i.e. 100 %.

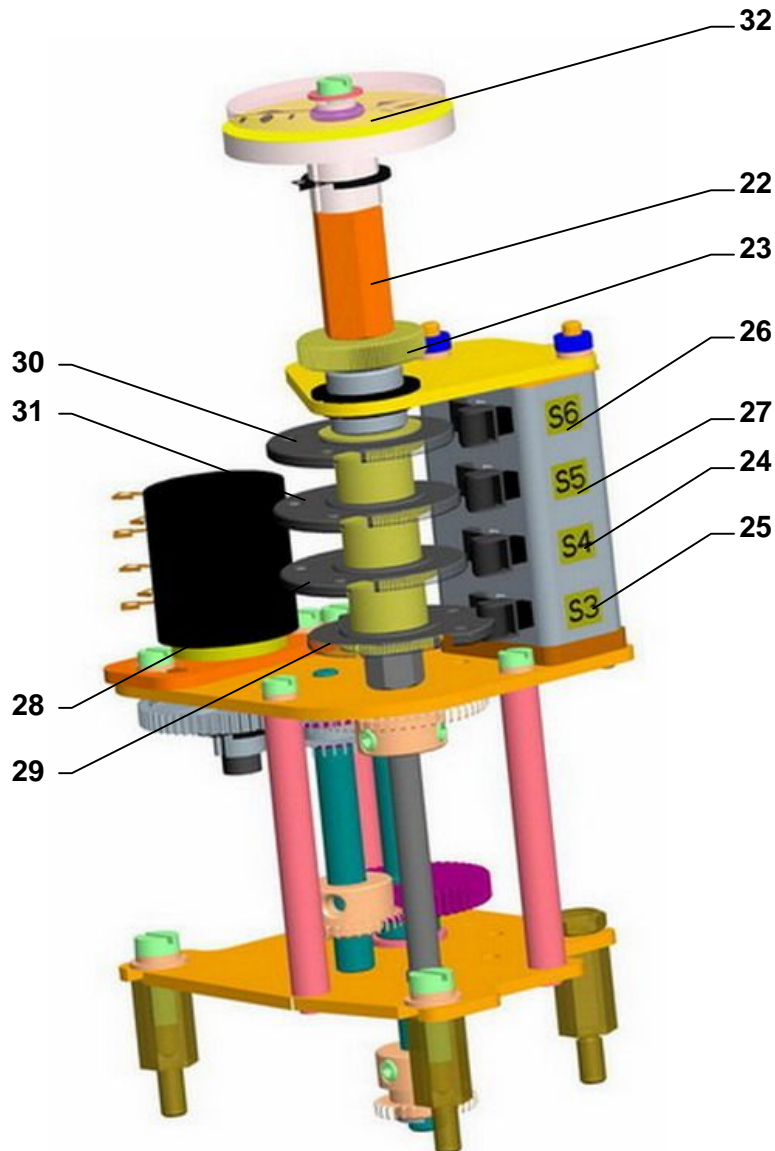


Fig.3

UP 0-Ex (Fig.3a):

By default the actuator is set by the manufacturer to standard stroke (according to specification), as specified in the nameplate.

Proceed as follows to adjust, align and reset the limit and signaling switches (Fig.3a).

- Reset the actuator to the "opened" position and turn the V3 cam in the clockwise direction (viewing the control panel from the top), until switch S3 is activated
- Reset the actuator to the "closed" position and turn the V4 cam in the counter-clockwise direction (viewing the control panel from the top), until switch S4 is activated
- Reset the actuator to the position at which you want the S5 signaling switch to be activated when moving towards "open" position and rotate cam V5 in the clockwise direction until switch S5 is activated
- Reset the actuator to the position at which you want the S6 signaling switch to be activated when moving towards "closed" position and rotate cam V6 in counter-clockwise direction until switch S6 is activated
- Rotate the position indicator discs for the particular stroke with respect to the gauge mark on the sight of the top enclosure.

After alignment of the position signaling unit it is necessary (if needed according to the equipment of the actuator) to align the position transmitter.

Note 1: Signaling from switches S5, S6 is possible from 50% of the maximum operating stroke specified in the nameplate. If larger signaling range is required, it is possible to make use of the reversing function of the switches.

Note 2: marking switches

- S3 – position switch „open“
- S4 - position switch „close“
- S5 – position switch (signalling) „open“
- S6 - position switch (signalling) „close“

Note 3: The torque and position switches are connected in series (see the wiring diagram UP 0-Ex). If the valve needs to be tightly closed in the limit position by thrust in the corresponding direction, it is necessary to align the corresponding position switch (S3 or S4) so that it does not get activated before the switching-off torque is reached. Observe the valve manufacturer's instructions when aligning the actuator with the valve!

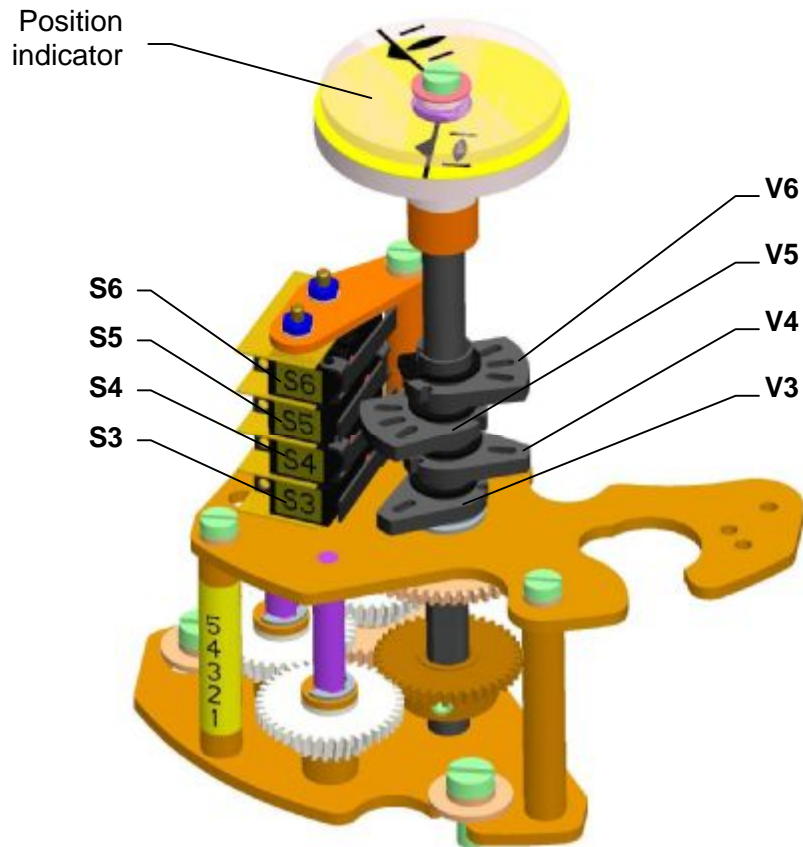


Fig.3a

4.3 Adjustment of resistant transmitter (Fig.4)

The resistant transmitter is in the UP X-Ex used to function as a remote position indicator.

Before the resistant transmitter adjustment the position switches have to be adjusted (S3,S4). Adjustment consists in setting of the resistance in the defined limit position of the EA.

Notes:

In case that the EA is unused within the complete operating stroke range following the angle selected on the particular stroke line, the "Open" limit position resistance value will undergo proportional reduction.

The transmitters are used with resistance according to the customer's specification. With EA of 2-wire converter a transmitter of 100 W resistance is used.

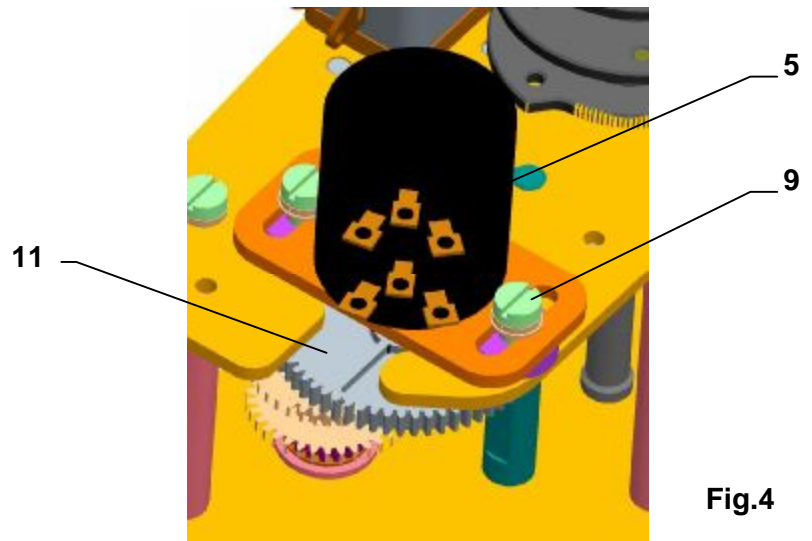


Fig.4

To adjust the transmitter follow these steps:

- Loosen the fixing screws (9) of the transmitter holder and push the transmitter out of mesh.
- Put the actuator to the position "closed" (with the handwheel, until the corresponding position switch S2 or S4 switches).
- Connect a meter for resistance measuring to the terminals 71 and 73. For the transmitter RP 19 rotate the transmitter shaft (11) until resistance of $\leq 5\%$ of the nominal transmitter resistance can be read on the meter, for the transmitter PL 240 the value shall be $\leq 5\%$ of the real transmitter resistance.
- In the position put the transmitter to mesh with the drive wheel and fix the fixing screws on the transmitter holder.
- Please check the resistance value in both of the final positions and in case of need repeat the procedure. Once the device is adjusted in a correct way disconnect the meter from the terminal.

4.4 Adjustment of the Electronic Position Transmitter (EPV) - the Resistive Transmitter (Potentiometer) with the Converter PTK 1

4.4.1 EPV – the 2-wire version (Fig. 5,5a)

The position transmitter with the converter PTK1 is in the plant adjusted to have the output current signal on the terminals 81-82 as follows:

- in the position "open" 20 mA
- in the position "closed" 4 mA

If the transmitter requires a new adjustment follow these steps:

Adjustment of the EPV – 2 wire version

- Put the actuator to the position "closed" and switch the power supply off.
- Adjust the resistive transmitter according to the previous chapter. The resistance is to be metered on the terminals X-Y, resp. R-R (Fig. 5,5a). The used transmitter resistance is 100 Ω.
- Switch the converter's power supply on.
- Turn the adjusting trimmer **ZERO**, resp. **A** to adjust the output current signal rate measured on the terminals 81-82 to 4 mA.
- Set the actuator to the position "open".
- Turn the adjusting trimmer **GAIN**, resp. **B** to adjust the output current signal rate measured on the terminals 81-82 to **20mA**.
- Check the output signal of the converter in the both limit positions, and repeat the procedure if needed.

Note:

The output signal of 4-20mA can be adjusted at the range from 75 up to 100% of the rated stroke stated on the actuators nameplate. At values less than 75% the value 20mA is reduced proportionally.

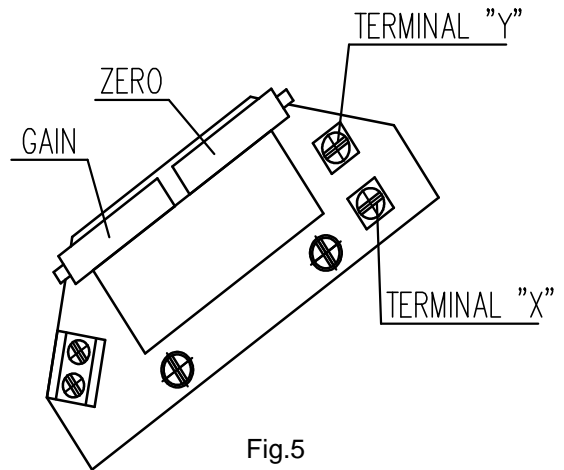


Fig.5

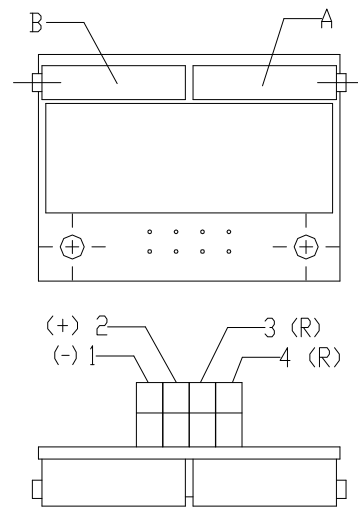


Fig. 5a

4.4.2 EPV – 3-wire version (Fig. 6, 6a)

The resistive transmitter with the converter is in the plant adjusted to have the output current signal metered on the terminals 81-82 as follows:

- in the position "open".....20 mA resp. 5 mA resp. 10 V
- in the position "closed".....0 mA resp. 4 mA resp. 0 V

according to the specified version of the converter.

If the transmitter requires a new adjustment follow these steps:

- Put the actuator to the position "closed" and switch the power supply off.
- Adjust the resistive transmitter according to the previous chapter. The resistance is to be metered on the terminals X-Y, resp. 0%-100% (Fig. 6, 6a). The used transmitter resistance is 2000 W or 100 W.
- Switch the converter's power supply on.
- Turn the adjusting trimmer **ZERO**, resp. **A** to adjust the output current signal rate measured on the terminals 81-82 to 0mA resp.4 mA, resp. 0 V.
- Set the actuator to the position "open".
- Turn the adjusting trimmer **GAIN**, resp. **B** to adjust the output current signal rate measured on the terminals 81-82 to 20mA, resp. 5 mA, resp. 10V.
- Check the output signal of the converter in the both limit positions, and repeat the procedure if needed.

Note:

The output signal of (0-20mA, 4-20mA or 0-5mA - according to the specification) can be adjusted at the range from 85 up to 100% of the rated stroke stated on the actuator's nameplate. At values less than 85% the value of the output signal is reduced proportionally.

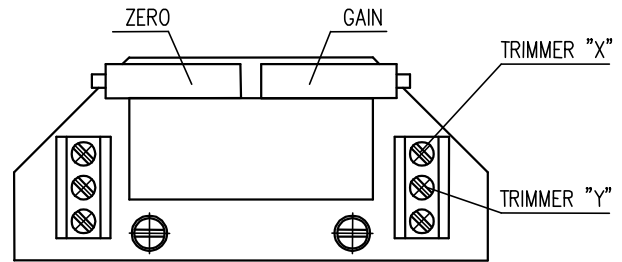


Fig. 6

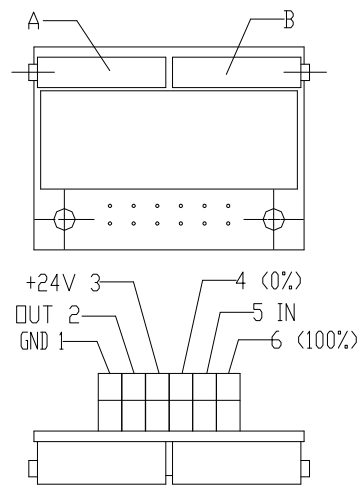


Fig. 6a

4.5 Adjustment of Capacitive Transmitter CPT1/A (Fig.7)

The chapter describes adjustment of the capacitive transmitter to the specified parameters (standard values of output signals) in case they are reset. The capacitive transmitter serves as a position transmitter of electric actuators with unified output signal of 4÷20 mA.

Note:

In case that reversed output signals are needed (in the position "OPEN" minimum output signal) contact personnel of service centres.

The capacitive transmitter CPT1/A is adjusted by the producer to the fixed operation angle according to the order and wired according to the wiring diagrams placed into the cover. Check the power supply of the user after connecting to terminal of the terminal board before the transmitter is electrically checked. Adjustment of the capacitive transmitter can be performed when the position switches are adjusted. The adjustment is performed with the power supply of 230 V/50 Hz and ambient temperature of $20 \pm 5^\circ\text{C}$.

The following versions of electric actuators with built capacitive transmitters can be specified:

- A) The version without any power supply (2-wire version)**
- B) The version with a power supply (2-wire version)**

A.) Adjustment of the Capacitive Transmitter without any Power Supply

Before connecting check the power supply. The measured voltage should be in range from **18 up to 28 V DC**.



The voltage of the power supply **must not be in any case higher than 30 V DC**. The transmitter can be irreversibly damaged!

While checking or adjusting the output signal of 4÷20 mA follow these steps:

- Connect a mA meter of precision class 0,5 and loading resistance lower than 500 Ω serially with the transmitter (pole "-"; terminal 82)
- Put the actuator to the position "CLOSED", the signal value should decrease.
- Check the signal value for the position "CLOSED" (4 mA).
- Tune the signal with loosening the fixing screws (15) and turning the trimmer (10) until the required value of 4 mA is reached. Tighten the fixing screws.
- Put the actuator to the position "OPEN", the signal value should raise.
- Check the signal value for the position "OPEN" (20 mA).
- Tune the signal with turning the trimmer (20) until the required value of 20 mA is reached.
- Check the signal value for the position "CLOSED" and then for the position "OPEN".
- Repeat the procedure until the change from 4 to 20 mA is reached with deviation less then 0,5 %.
- Disconnect the meter and lock the screws with a varnish.

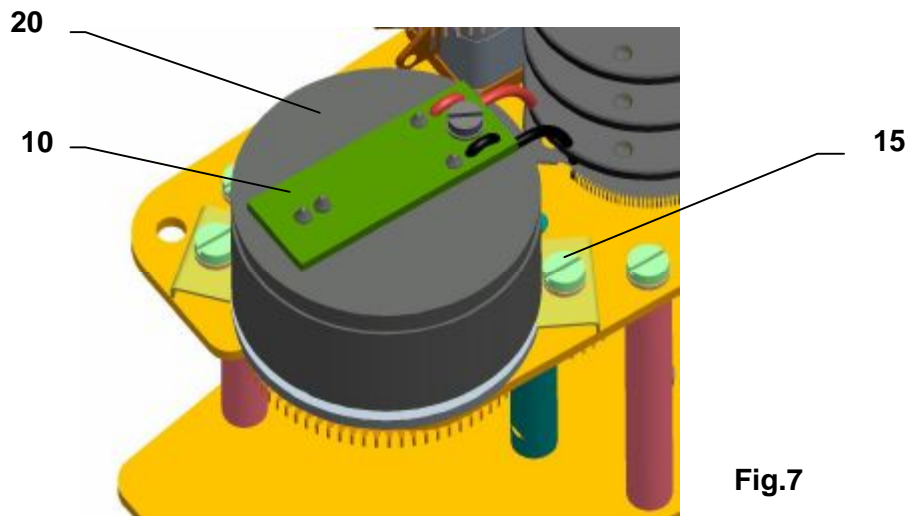


Fig.7

B.) Adjustment of the Capacitive Transmitter with the Power Supply

- 1.) Check the power supply: 230 V AC, resp. 24 V AC (according to version) $\pm 10\%$, on the terminals 1, resp. 60 and 61
- 2.) While checking or adjusting the output signal of 4÷20 mA follow these steps:
 - Connect a mA meter of precision class 0,5 and loading resistance lower than 500 Ω on the terminals 81, 82.
 - Follow the procedure described in the previous chapter A.



The user has to arrange grounding of the 2-wire circuit of the capacitive transmitter to the electrical ground of a joined controller, computer, etc. The grounding should be performed only in one place in any part of the circuit outside the electric actuator!

Note:

The trimmer (20) can be used to adjust the output signal of the capacitive transmitter to any value of operation stroke in range from ca 40% up to 100% of the value of the operation stroke adjusted by the producer and stated on the actuator's nameplate.

4.6 Adjustment of the DCPT2 transmitter

Before the transmitter **DCPT2 (Fig.8)** adjustment the position switches S3 and S4 have to be adjusted. Adjustment consists in setting of the output signal value in the limit positions of the actuator.

By default (unless determined otherwise by the customer), the manufacturer aligns the DCPT2 transmitter so that output signal value 4mA is set for the limit position "closed" and 20 mA for the position "opened". By default the characteristics of the output signal is set to 20-4 mA (descending).

Notes 1: -this type of transmitter enables the assignment 4 mA / 20 mA of the output signal value to any limit position of the actuator.

2:-the transmitter is adjustable within the range of 35 to 100% of the full stroke specified in the nameplate.

4.6.1 Setting of limit positions

If limit positions require re-adjustment, proceed as follows:

Adjustment of the "4 mA" position:

- Turn on the power supply voltage to DCPT2
- Reset the actuator to the limit position that you want to assign 4 mA signal value to and press (for about 2 seconds) the pushbutton "4", until LED flashes

Adjustment of the "20 mA" position:

- Turn on the power supply voltage to DCPT2
- Reset the actuator to the limit position that you want to assign 20 mA signal value to and press (for about 2 seconds) the pushbutton "20", until LED flashes

Notes 1: Transmitter error code may result when the first limit position is saved (2x LED flash). The error code is erased by saving of the second limit position, provided that the saved limit positions are within 35 to 100% of the rated stroke specified in the nameplate.

If necessary, please change the characteristic of the output signal from descending to ascending or vice versa, according to the following chapter.

4.6.2 Setting of the ascending/descending characteristic of the output signal

When the characteristic of the transmitter output signal is changed, the set limit positions "4 mA" and "20 mA" are maintained, however the operating range (stroke of DCPT2) between these two positions is changed to the complement of the original operating range.

When the DCPT2 transmitter is set so that output signal value 4mA is set for the limit position "closed" and 20 mA for the position "opened", the characteristic must be set to 20-4 mA (descending).

When the DCPT2 transmitter is set so that output signal value 20 mA is set for the limit position "closed" and 4 mA for the position "opened", the characteristic must be set to 4-20 mA (ascending).

If you need to toggle the characteristic of the transmitter output signal 4-20 mA (ascending), or 20-4 mA (descending), please proceed as follows:

- Turn on the power supply voltage to DCPT2
- For 4-20 mA (ascending characteristic) press the pushbutton "20" and subsequently "4" and hold both buttons pressed until LED flashes.
- For 20-4 mA (descending characteristic) press the pushbutton "4" and subsequently "20" and hold both buttons pressed until LED flashes.

4.6.3 Calibration MENU

The calibration menu enables setting of default parameters and calibration of current values 4 and 20 mA (fine tuning of the value of the output current signals 4 and 20 mA in the limit positions).

Adjustment of default parameters:

- Turn off the power supply to the transmitter power supply source.
- Press and hold the "4" and "20" adjustment pushbuttons.
- Turn on the power supply to the transmitter power supply source.
- Hold both pushbuttons until the first and on to the second flash of LED.

Caution: By saving the default parameters the calibration of the transmitter is overwritten and therefore the transmitter must be re-calibrated.

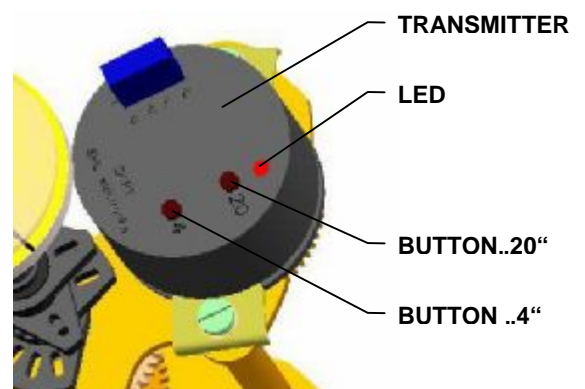


Fig.8

How to access the calibration MENU:

- Turn off the power supply to the transmitter power supply source.
- Press and hold the "4" and "20" adjustment pushbuttons.
- Turn on the power supply to the transmitter power supply source.
- Hold both pushbuttons until the first flash of LED and then release them.

Toggleing between 4 and 20 mA in the calibration mode:

- For 4 mA press the pushbutton "20" and subsequently "4" and hold both buttons pressed until LED flashes.
- For 20 mA press the pushbutton "4" and subsequently "20" and hold both buttons pressed until LED flashes.

Setting of 4/20 mA current values in the calibration MENU:

- To reduce the current value, press "20". By holding the button depressed, auto repeat is activated to continuously reduce the value of the output current and when the button is released, the actual value is saved.
- To increase the current value, press "4". By holding the button depressed, auto repeat is activated to continuously increase the value of the output current and when the button is released, the actual value is saved.

4.6.4 Transmitter error messages

Error is indicated by flashing LED. The number of repeated LED flashes indicates the error code as per **table 5**.

TABLE 5	
Number of LED flashes	Error
1x	Transmitter position outside operating range
2x	Incorrectly set operating range for the transmitter angle of rotation
3x	Tolerance level of magnetic field outside permitted range
4x	Incorrect parameters in EEPROM
5x	Incorrect parameters in RAM

4.7 Adjustment of the operating angle position and adjustment of stop screws (Fig.10-14)

The stop screws serve for mechanical limitation of the elevation (operating angle) of the electric actuator during manual operation or as the path endpoints for switching-off from torque. Thus the output backstop must not foul them during motor-driven operation without adjusted torque unit. Otherwise damage of mechanical transmission could occur. On following figures you can find shown all possible settings of operation angle for angle 90°, where Fig. a) - output shaft in position „Z“ (“closed”), Fig. b) – output shaft in position „O“ (“open”).

Adjusting of stroke 90° - without changed position of operating angle (0°)

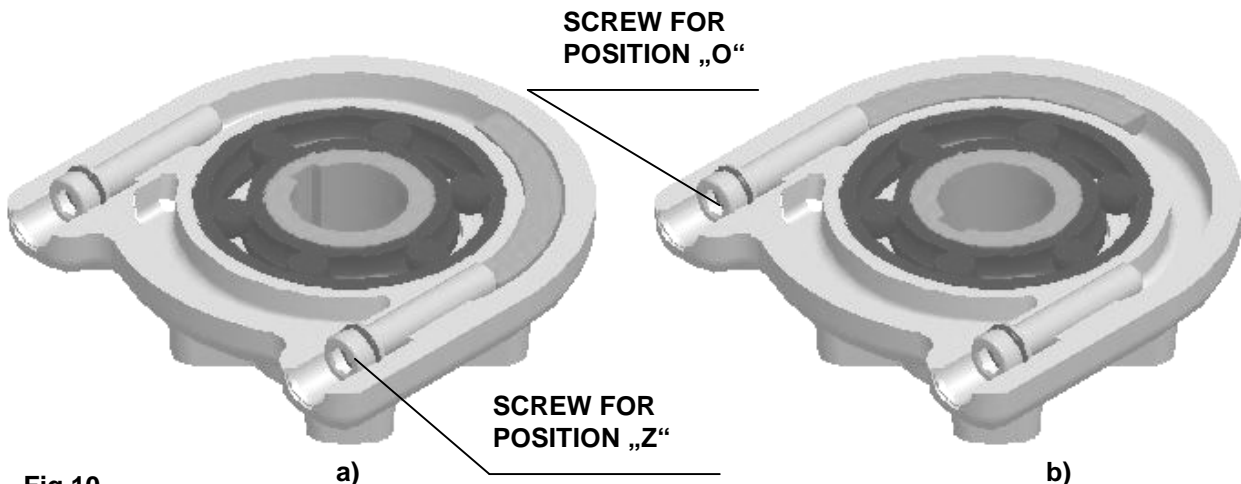


Fig.10

Backstop screws serve also for setting of the armature operating angle, they allow to change this position from "Z" (0°) and from position "O" (60°, 90°, 120°, 160°) by value $\pm 10^\circ$, whilst the operating angle amount specified on the EA type plate must remain unchanged.

Adjustment of stroke 90° - with changed position of operating angle +10° in direction „O“ (open)

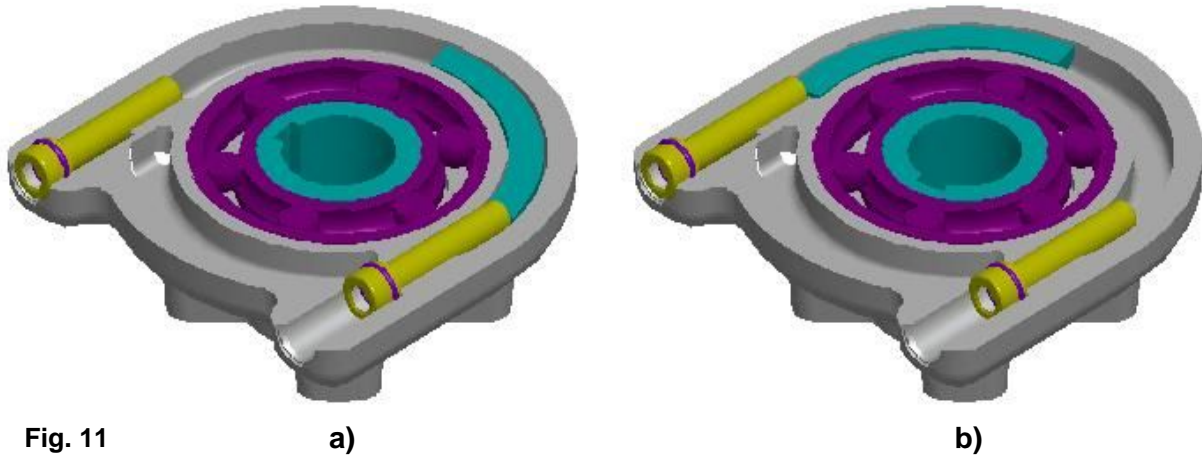


Fig. 11

Adjustment of stroke 90° - with changed position of operating angle +10° in direction „Z“

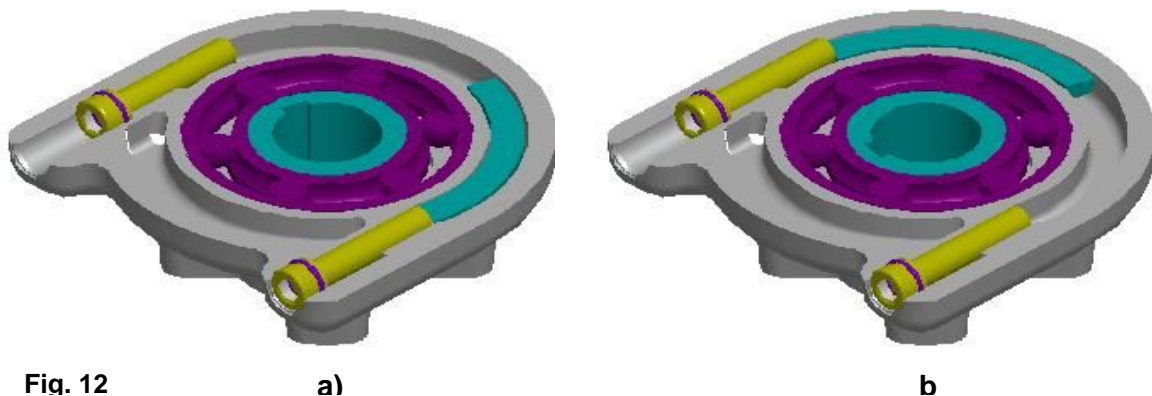


Fig. 12

4.7.1 Adjusting of backstop screws during switching-off the EA from position unit

If EA is equipped with torque switches thus these fulfill the function of limit switches in case when EA is not switched-off from the position unit switches, eventually they fulfill also protective function against overloading of EA.

Procedure:

- release both backstop screws in such way that their heads shall be on the same level as the opening edge (Fig.13)
- readjust the EA into position „Z“ (“closed”) until disconnection of the position switch
- rotate the backstop screw to the right until you feel increased resistance when bumped the backstop. Under such achieved status turn the screw by 1/2 rotation backwards as minimum to avoid sooner connection from the torque unit,
- perform similar adjustment of the backstop screw for position "O" (“open”).

4.7.2 Adjusting of backstop screws during switching-off the EA from torque

When using the backstop screws as endpoints (backstops) for the EA output shaft path thus the EA must have the torque unit adjusted in such way that no overrunning of the switching-off torque could occur.

Procedure:

- by means of manual wheel readjust the EA into position "Z" ("closed"),
- release both backstop screws in such way that their heads shall be on the same level as the opening edge (Fig.13)
- rotate the backstop screw for position "Z" ("closed") to the right until you feel increased resistance when bumped the backstop
- perform similar adjustment of the backstop screw for position "O" ("open"),
- adjust the position and signaling unit in such way that it should connect after switching-on the torque unit.

Remark:

It is possible to increase (Fig.13) or decrease (Fig.14) the operating angle by 26° on adjusted EA by means of backstop screws, but you are loosing possibility of the output shaft position tuning. In doing so, the positioning unit must be adjusted to this angle and transmitter must be ejected from angle.

Adjustment of elevation angle 110° - increasing of the operating angle by 20°

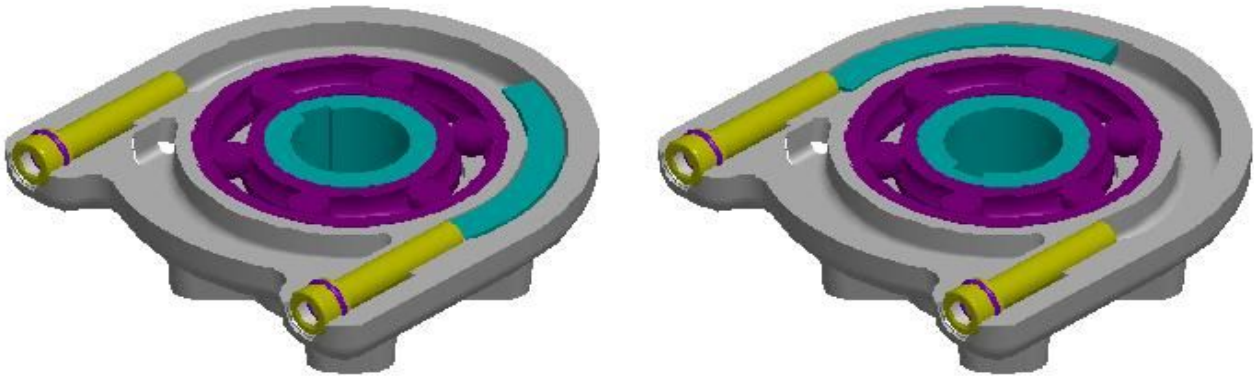


Fig. 13

a)

b)

Adjustment of elevation angle 70° - reduction of the operating angle by 20°

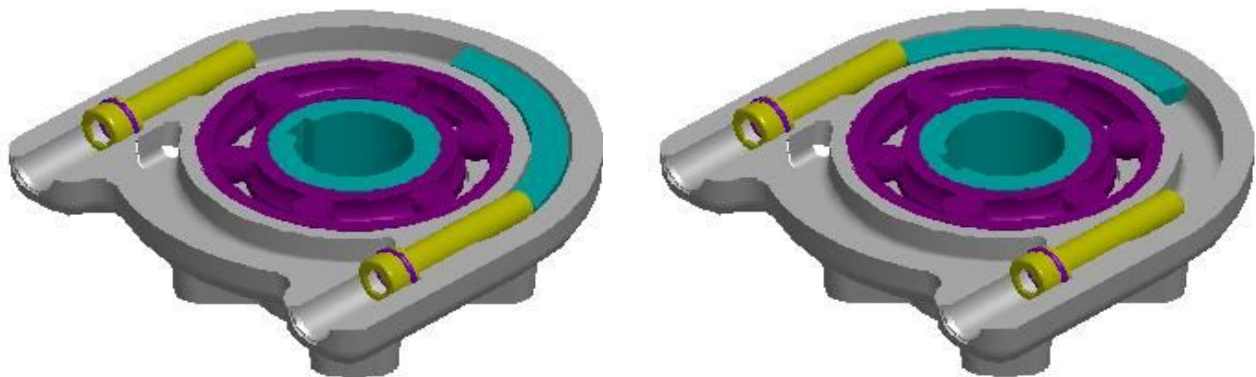


Fig. 14

a)

b)

4.8 Electric local control (Fig.15)

- additional equipment

If necessary (accession, function check and so on), it is possible to preset EA by local electric control with secured power feeding. Upon switching the local control to "LOCAL" mode, it is possible to use OPEN and CLOSE buttons to control the movement of the output element in the entered direction. LEDs indicate individual modes of the local control.

The control is possible after removing the padlock (1). Control mode selection is changed by sequential pressing of the button (2) **REMOTE-OFF-LOCAL** to "Remote" "Shut off", "Local", "Shut off". Individual modes are cycled by sequential pressing. The selection is indicated by LEDs visible on the front panel of the local control.

LED**PWR** (6) indicates the presence of supply voltage to control the local control.

Individual local control modes:

The „**OFF**“ mode - this mode does not enable remote or local control of EA. The mode is indicated by LEDs **REMOTE** (7) and **LOCAL** (8) being off

The „**LOCAL**“ mode - this mode enables EA control in the open and close direction and to stop using buttons **OPEN** (3) (open), **CLOSE** (4) (close) and **STOP** (5). The „**LOCAL**“ mode is indicated by **LOCAL** (8) LED being lit. When **OPEN** button is pressed in this mode, it is indicated by **OPEN** LED being lit (9). When **CLOSE** button is pressed in this mode, it is indicated by **CLOSE** LED being lit (10). When **STOP** button is pushed, the signal LEDs **OPEN** (9) and **CLOSE** (10) are switched off.

The „**REMOTE**“ mode - in this mode the EA can be remotely controlled by commands from master system. The „**REMOTE**“ mode is indicated by **REMOTE** (7) LED being lit. In this mode the OPEN, STOP and CLOSE buttons are not functional.

After finishing the work with electrical local control, we recommend to return the padlock to button (2) in mode „**REMOTE**“ and lock out the device to avoid unwanted tampering by unauthorized person.

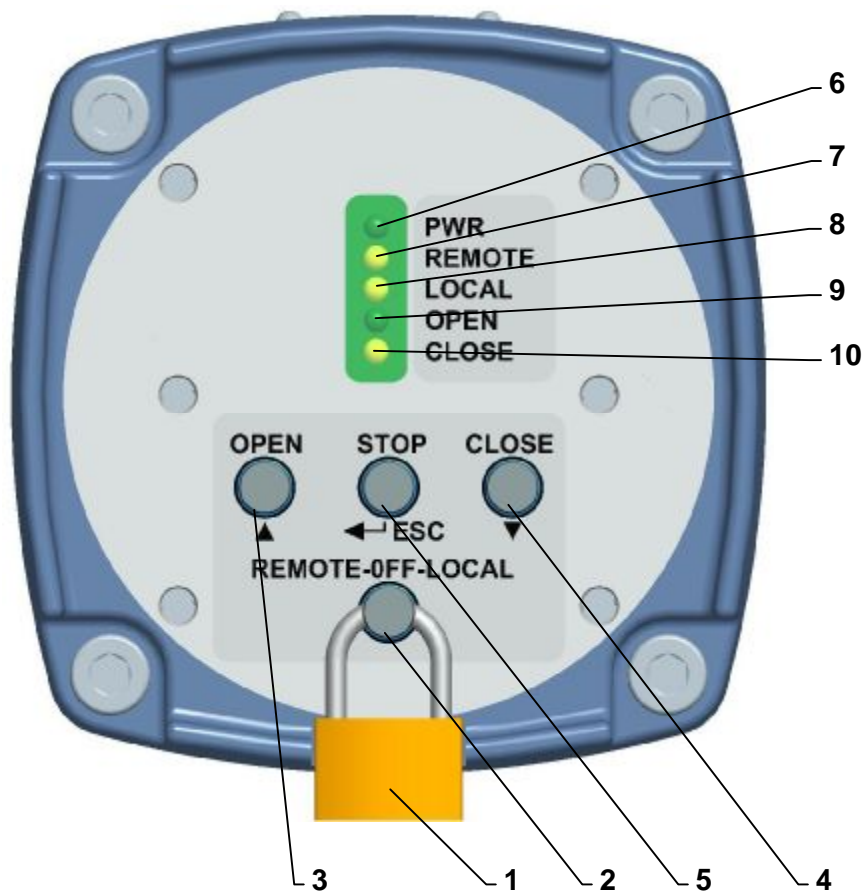


Fig. 15

5. Service and Maintenance

5.1 Service



1. *In general it is supposed that the EA is serviced by a qualified person as required in the Chapter 1!*
2. *After the EA is put into operation it is necessary to check whether during manipulation its surface finishing was not damaged – the damages should be eliminated to prevent the surface against deterioration caused by corrosion!*

- The EA requires just an insignificant service. The reliable operation is determined by the correct putting into operation.
- The service of the EA results from the operation conditions and generally consists in treating the information for subsequent performing of a required function. The EA can be controlled by remote control electrically or manually on the place of their installation. The manual control is available with a hand wheel.
- The service staff should arrange the required maintenance and prevent the actuator during operation against impacts of environment and climate what exceed the frame of allowed influences stated in the Chapter "Operation Conditions".
- It is necessary to avoid overheating of the EA surface, exceeding of parameters stated on the nameplate and abnormal vibrations of the EA.

Manual control:

- If the manual control is needed (adjustment, function checking, failures etc.) the staff can reset the regulated member using the handwheel. While rotating the handwheel clockwise the output element moves in the direction "CLOSING".

5.2 Maintenance - extent and periodicity

During inspections and maintenance is needed to tighten all screws and nuts that affect the tightness and coverage. Similarly, once a year should be checked and if necessary tighten mounting screws of the terminal wires and assuring of the slip-on joints with wires.

The interval between two preventive inspections is four years.

The replacement of cover gaskets and gasket of an oil filling is needed in case of damage or after 6 years of the operation.

The grease in the supplied actuators is designed for the lifetime of the product.

It is not necessary to change the grease during the operation of the actuator.

During inspection, replace the sealing O-ring (see Chapter 6) between the bottom and top cover - replace with original O-ring from manufacturer.

Lubrication:

- - gear part - in versions for climate with temperatures -25°C till $+55^{\circ}\text{C}$ – grease HF 401/0 (GLEIT- μ) resp. GLEITMO 585 K
- - in versions for climate with temperatures -50°C till $+40^{\circ}\text{C}$ grease ISOFLEX TOPAS AK 50.



Lubrication of the valve stem is independent on maintenance of the EA!

After every potential flooding of the product check, whether there is no water inside. After eventual water penetration, dry the product before repeated putting into operation and replace damaged sealings, resp. other parts of EA. identically check also tightness of cable bushings and replace them, if they are damaged.

- Every six months it is recommended to perform one check move in frame of adjusted operation stroke to verify reliability of functioning with setting back to the original position.
- If the audit rules do not determine else the inspection of EA is performed ones a year and tightening of all connecting and grounded screws have to be checked to avoid overheating.
- After 6 months from putting of EA into operation and once a year it is recommended to check tightening of fixing screws between the EA and the valve. (Tighten the screws with the cross system.)
 - While connecting and disconnecting of the EA check the tightness of cable glands – those with damaged sealings should be replaced by new ones of the approved type!



- Keep the EA clean and take care about removing impurities and dust. The cleaning has to be performed regularly according to the operation possibilities and requirements.

5.3 Maintenance to assure inexplosiveness

A hour before removing of the actuator cover it is needed to switch power supply off. The given period is required to assure cooling of the electric motor and the space heater below the admissible temperature value of the temperature class T6 (+85 °C).

The fixing screws of the upper cover have to be always in full numbers, i.e. 4 pcs, with flexible washers and tightly fastened.

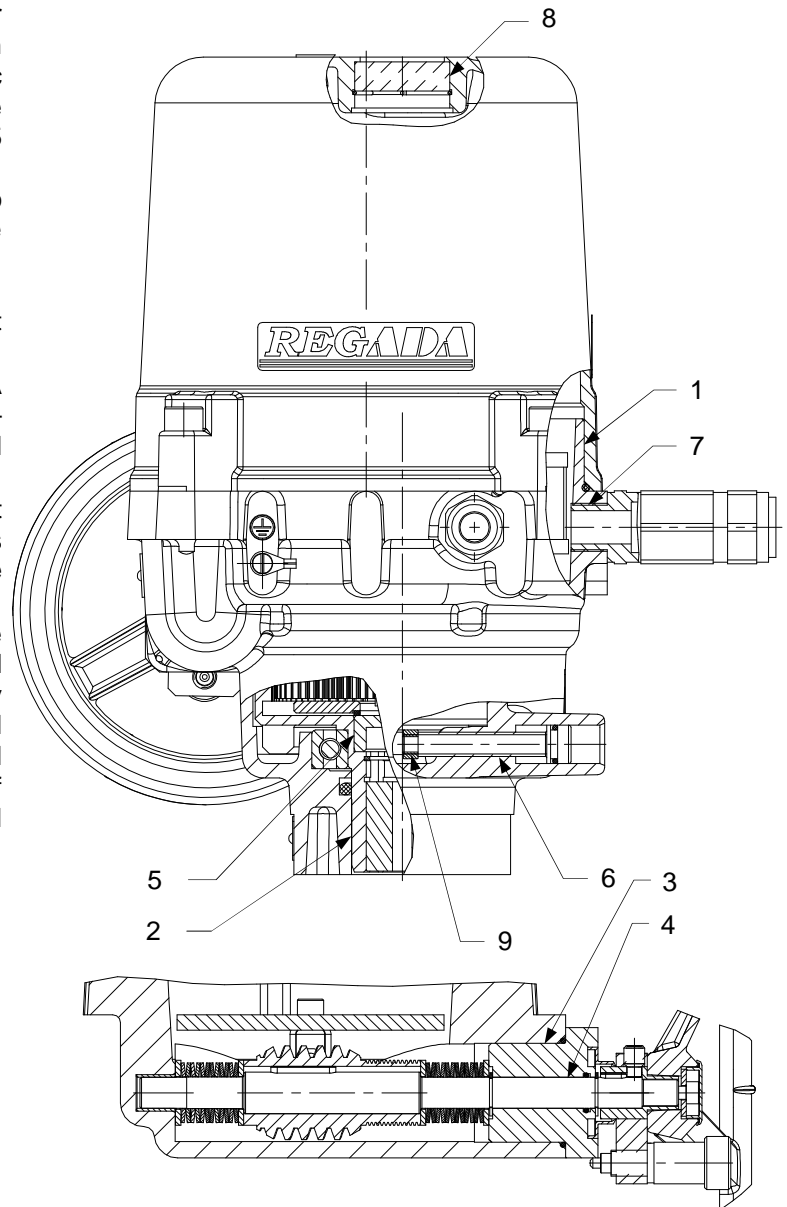
The actuators with damaged closing surfaces, e.g. scratches, rifts, etc. have to be immediately put out of operation.

- While connecting and disconnecting of the EA check the sealing rings of the cable leads – damaged and worn sealing should be replaced by original rings!
- Keep the EA clean and take care about removing impurities and dust. The cleaning has to be performed regularly according to the operation possibilities and requirements.
- Reparation of EA (basically the parts the resisting closures consist with, have substantial influence on safety) is allowed perform only by producer, witch according to certificated documentation and by performing of required tests (inclusive of static pressure test of resisting clouser parts guarantee the fulfil required standares and rules for this products.

The closing surfaces are:

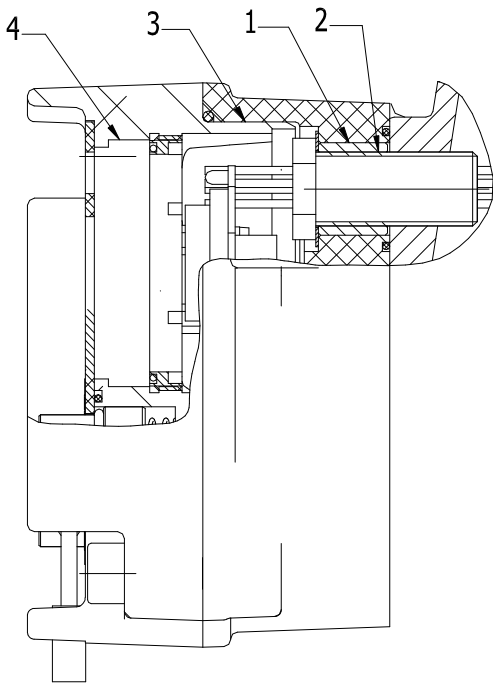
Closure surfaces are:

1. Bottom enclosure and top enclosure
2. Bottom enclosure and crown wheel
3. Bottom enclosure and manual control case
4. Manual control case and manual control shaft
5. Moulded joint between the crown wheel and signaling disc
6. Threaded joint - bottom enclosure and stop screw
7. Threaded joint - bottom enclosure and cable glands.
8. Cemented cylindrical gap - Top enclosure and sight Ex
9. Bonded threaded surface M8 LH_6H/6g, L= 6mm, thread pitch 1.25, number of pitches 4.8, Loctite 243 - to prevent against loosening of the stop screw



Enclosure joint surfaces are designed according to the requirements of table3 EN 60079-1.

To seal the gaps against entry of fluids and dust, O-rings are used from the outside except for the gap of flameproof enclosure.

Gap of flameproof enclosure of local control UL1-Ex, UL 2-Ex are between:

1. Bushing tube – rear enclosure of local control
2. Threaded joint – Bushing and bushing tube
3. Front enclosure and rear enclosure
4. Aperture and front enclosure.

Enclosure joint surfaces are designed according to the requirements of table 2 and 3, EN 60079-1,

To seal the gaps against entry of fluids and dust, O-rings are used from the outside except for the gap of flameproof

enclosure.

**Caution:**

After disassembly and re-assembly of top enclosure and bottom enclosure (see gap of flameproof enclosure 1 in chapter 5.3) the sealing O-ring must be replaced according following table:

The fixing screws of the upper cover	Rozmer	Norma	PNm	Materiál	Výrobca
Vrchný a spodný (UL 0-Ex)	134,5x3	AS 568 B/BS 1806	62 732 154	NBR N7T40	TRELLEBORG SEALING SOLUTIONS
Vrchný a spodný (UL 1-Ex)	180x3	AS 568 B/BS 1806	62 732 155	NBR N7T40	
Vrchný a spodný (UL 2-Ex)	202,79x3,53	AS 568B/B S 1806	62 732 156	NBR N7T40	
Miestneho ovládania	105x3	STN 02	62 732	MVQ	Rubena Náchod

5.4 Troubleshooting

- In case of a mains failure the EA stands in the position where it was before the failure occurred. If needed the EA can be reset using the manual control (with the handwheel). When necessary EA can be manually operated (hand wheel), at doing this, pay attention to keep the movement of the EA output part within the range of the set stroke so as to avoid losing the adjustment of the limit position switches or position transmitter or regulator. After supply voltage recovery EA is prepared for operation.
- In case of a failure of a part of the EA the part can be replaced by a new one. The exchange is to be committed by the producer or a contracted service firm.
- In case of an EA failure, which cannot be eliminated directly in operation, follow instructions for under-guaranty and after-guaranty service.

Failure	Cause	Troubleshoot
There are no revolutions of motor rotor when operating the push-buttons.	1. No voltage on the electric motor connectors.	Check connection and voltage presence.
	2. No voltage on the control part.	Check connection of the control part.
The EA fails to stop at the limit positions.	1. Incorrect setting-up of the switches.	Perform adjustment.
	2. The microswitch is defective	Replace the microswitch for a new one and adjust.
The EA stops at the mid-position.	There is an obstacle in the valve or part of it seizes.	Perform reversing of the EA, move it to the original direction and, in the case that the failure repeats, repair the armature.
There is no indication of reaching these positions in the final positions.	1. The LEDs fail to operate.	Replace the LEDs for new ones.
	2. Incorrect adjustment of the position signal switches.	Adjust the position signal switches.
		In case that some EA failures still remain, contact the service centres.

- *Note: If the EA has to be dismantled follow the procedure of the Chapter "Dismantling"*



The EA can be dismantled to be repair purpose by qualified and trainer persons only! The training can be preformed by the producer or by a contracted service firm.

6. Accessories and Spare Parts

As accessories the **handwheel** is packed with the product.

6.1 List of the Spare Parts

Table 8: Spare Parts

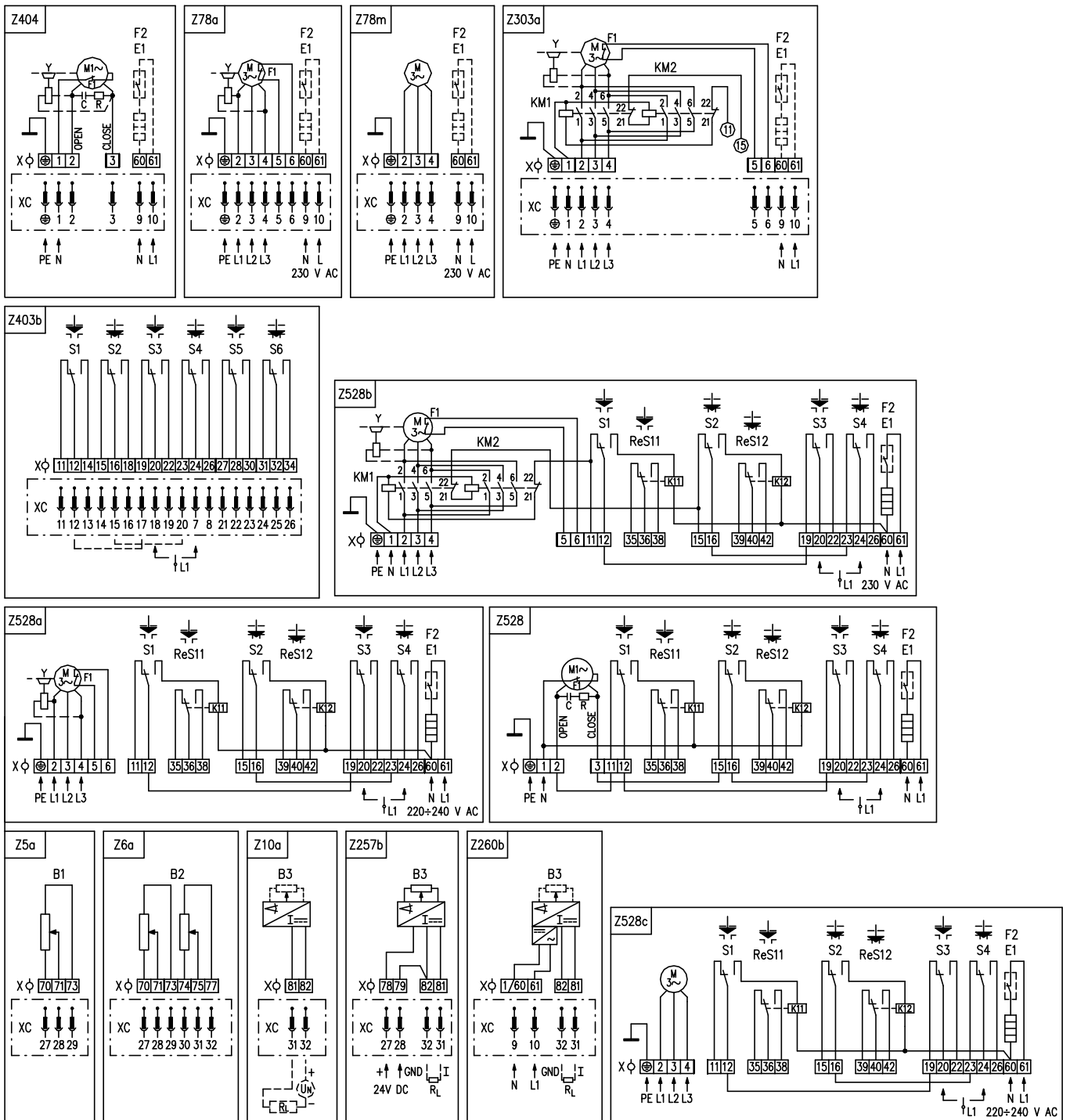
Spare part	Order Nr.	Position	Figure
Electric motor; 13,8 W; 230 V; (UP 0-Ex)	63 592 408	2	1
Electric motor; 13,8 W; 24 VAC; (UP 0-Ex)	63 592 413	2	1
Electric motor; 53 W; 24 VAC; (UP 1-Ex)	63 592 XXX	2	1
Electric motor; 100 W; 24 VAC; (UP 2-Ex)	63 592 XXX	2	1
Electric motor; 40 W/90 VA; 230V AC; (UP 1-Ex)	63 592 076	2	1
Electric motor; 73 W/110 VA; 3x400V AC; 3x415 V AC, (UP 1-Ex)	63 592 054	2	1
Electric motor; 120 W/228VA; 230V AC; (UP 2-Ex)	63 592 394	2	1
Electric motor; 60 W/120VA; 230V AC; (UP 2-Ex)	63 592 322	2	1
Electric motor; 20 W/75VA; 230V AC; (UP 2-Ex)	63 592 118	1	1
Electric motor; 180 W/300VA; 3x400V AC; 3x415 V AC, (UP 2-Ex)	63 592 330	2	1
Electric motor; 90 W/150VA; 3x400V AC; (UP 2-Ex)	63 592 328	2	1
Electric motor; 13,8 W/14,2W; 120 V AC; 50Hz /60Hz; (UP 0-Ex)	63 592 412	2	1
Electric motor; 40 W/90 VA; 115 V AC, 60 Hz; (UP 1-Ex)	63 592 XXX	2	1
Electric motor; 25 W/; 120 V AC, 60 Hz; (UP 2-Ex)	63 592 XXX	2	1
Electric motor; 70 W/125VA; 120 V AC, 60 Hz; (UP 2-Ex)	63 592 XXX	2	1
Electric motor; 120 W/228VA; 120 V AC, 60 Hz; (UP 2-Ex)	63 592 XXX	2	1
Electric motor; 7,5 W; 3x400 V AC; 50Hz; 3x400V AC; (UP 0-Ex)	63 592 XXX	2	1
Electric motor; 6,2 W; 3x400 V AC; 60Hz; 3x400V AC; (UP 0-Ex)	63 592 XXX	2	1
Electric motor; 6,5 W; 3x400 V AC; 50Hz; 3x400V AC; (UP 0-Ex)	63 592 XXX	2	1
Electric motor; 7 W; 3x400 V AC; 60Hz; 3x400V AC; (UP 0-Ex)	63 592 XXX	2	1
Electric motor; 15 W; 3x400 V AC; 50Hz; 3x400V AC; (UP 0-Ex)	63 592 XXX	2	1
Electric motor; 13 W; 3x400 V AC; 60Hz; 3x400V AC; (UP 0-Ex)	63 592 XXX	2	1
Capacitor 0,82μF (UP 0-Ex)	63 540 002 63 540 007	2	1
Capacitor 82μF (UP 0-Ex)	63 540 006 63 540 003	2	1
Capacitor 5μF (UP 1-Ex)	63 540 001	2	1
Capacitor 7μF (UP 2-Ex, UP 2.4-Ex, UP 2.5-Ex)	63 540 181	2	1
Capacitor 8μF (UP 2-Ex, UP 2.4-Ex, UP 2.5-Ex)	Motor component	2	1
Capacitor 3,3μF (UP 0-Ex)	63 542 038	2	1
Capacitor 9μF (UP 1-Ex)	Motor component	2	1
Microswitch DB 6G A1LB (UP 0-Ex)	64 051 466	S3,S4,S5,	3a
Microswitch DB3C-A1 (pozlátené kontakty) (UP 0-Ex)	64 051 200	S3,S4,S5,	3a
Microswitch D443-S1LD s rolničkou (UP 2-Ex)	64 051 737	24,25,26,2	3
Microswitch D383-Q3RA s rolničkou (UP1-Ex, UP 2-Ex)	64 051 738	24,25,26,2	3
Microswitch D413-V3 RA (pozlátené kontakty) s rolničkou (UP 1-Ex, UP 2-	64 051 470	24,25,26,2	3
Capacitive transmitter CPT 1	64 051 499	10	7
Resistant wire transmitter (potentiometer) RP19; 1x100	64 051 812	5	4
Resistant wire transmitter (potentiometer) RP19; 1x2000	64 051 827	5	4
Resistant wire transmitter (potentiometer) RP19; 2x100	64 051 814	5	4
Resistant wire transmitter (potentiometer) RP19; 2x2000	64 051 825	5	4
Resistant wire transmitter (potentiometer) PL 240; 5000	64 051 819	5	4
Transmitter DCPT2	64 051 059	-	8
Power supply DX3004.P24	64 051 184	-	-
Ring 134,5x3 SMS 1586; BS 4518 (UL 0-Ex)	62 732 154	-	-
Ring 180x3 AS 568 B/BS 1806 (UL 1-Ex)	62 732 155	-	-
Ring 202,79x3,53 AS 568 B/BS 1806 (UL 2-Ex)	62 732 156	-	-
Ring 105 x 3	62 732 390	-	-



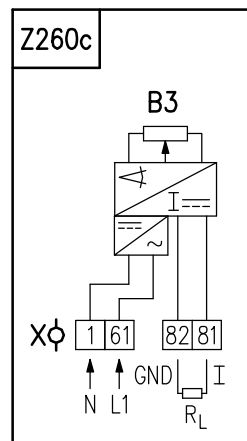
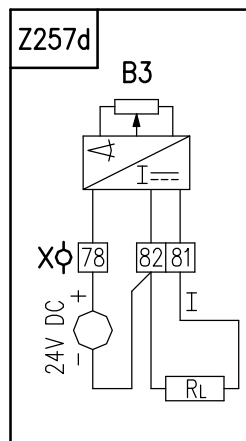
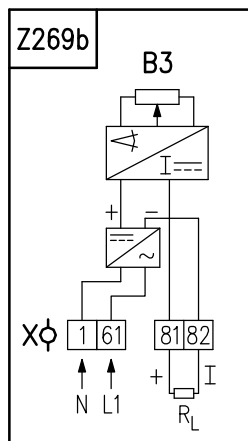
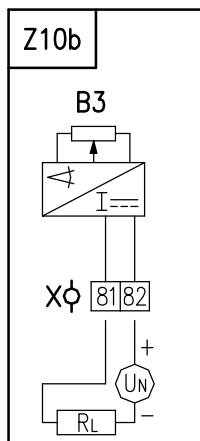
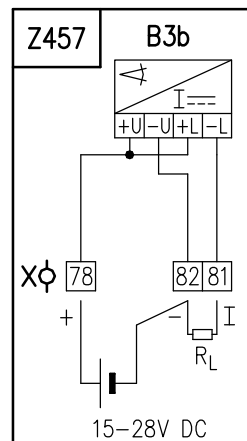
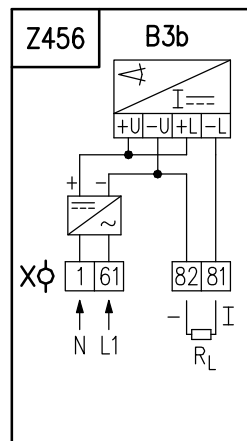
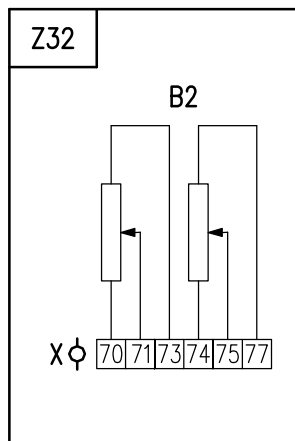
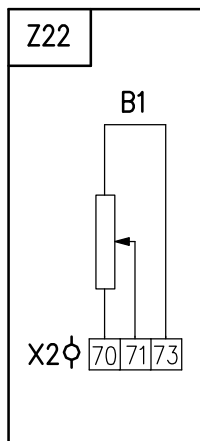
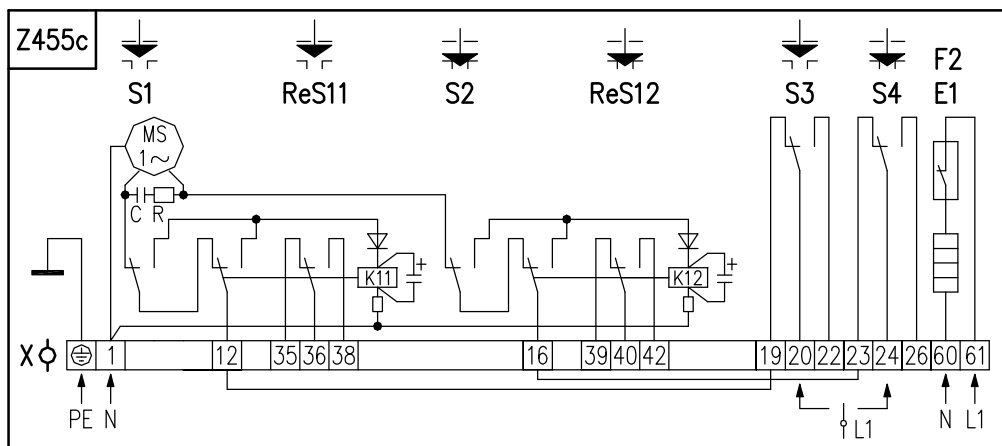
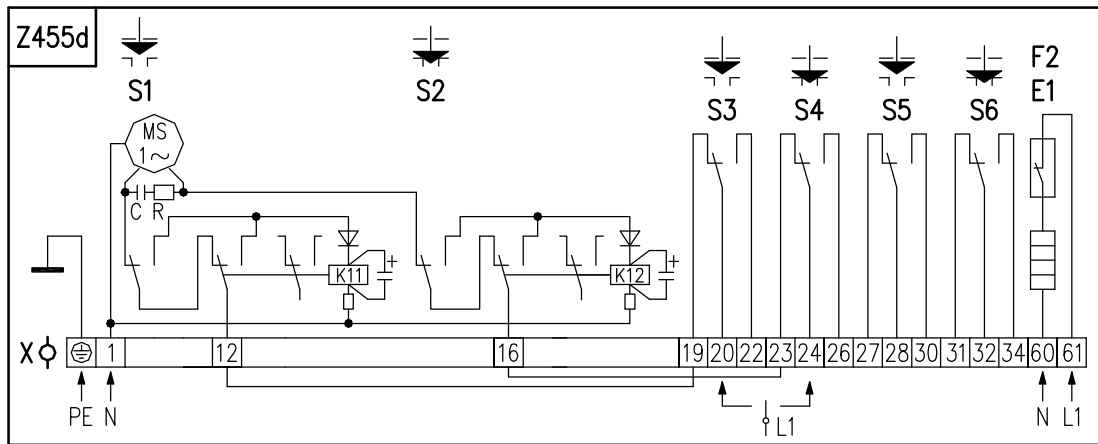
The disassembly of EA for the purpose of repair is possible only for the manufacturer!

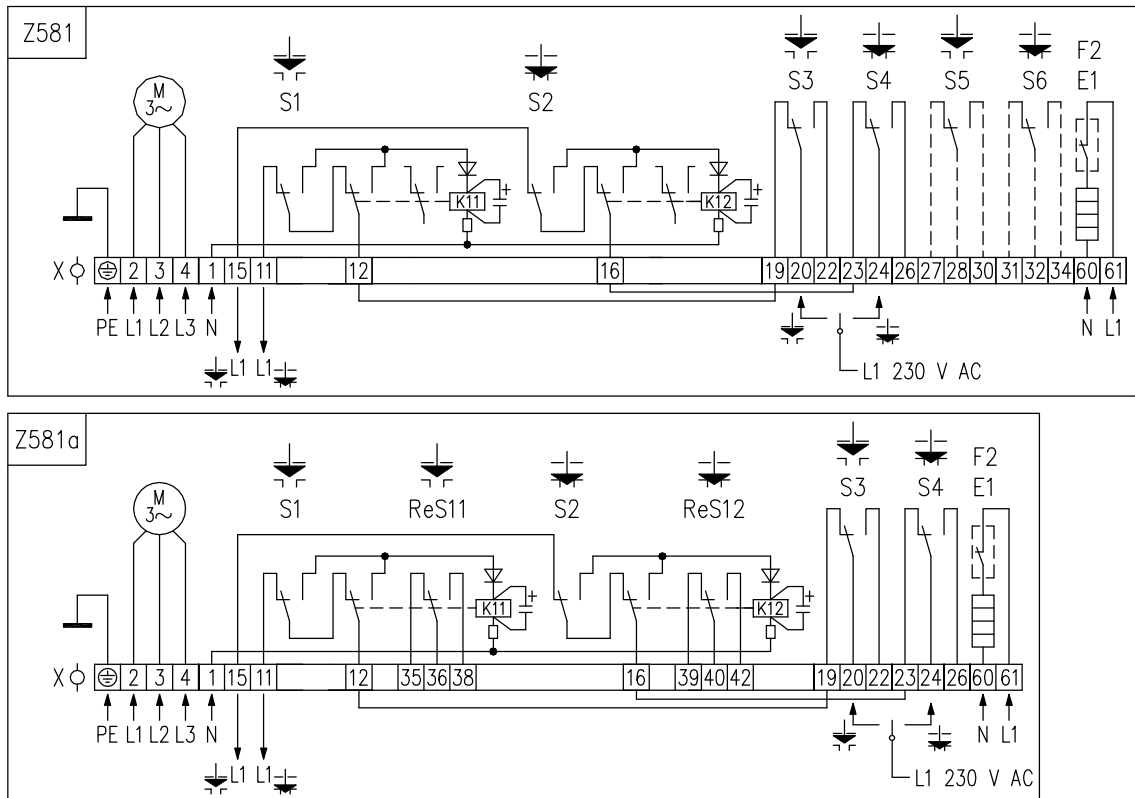
7. Enclosures

7.1 Wiring diagrams UP 1-Ex, UP 2-Ex, UP 2.4-Ex, UP 2.5-Ex



Wiring diagrams UP 0-Ex



**Legend:**

- Z5a, Z22.....wiring diagram of single resistant transmitter connection
 Z6a, Z32.....wiring diagram of double resistant transmitter
 Z10a, Z10b.....wiring diagram of resistive with current converter or capacitive transmitter - 2 - wire without supply
 Z78m.....wiring diagram of 3-phase electric motor and space heater for UP 1-Ex
 Z257b, Z257d ..3-wire version of EPV - without power supply connection
 Z260c.....3-wire version of EPV – with power supply connection
 Z260b.....2-wire version of EPV, resp. capacitive transmitter with power supply connection, resp. 3-wire version of EPV – with power supply connection
 Z269b.....2-wire version of EPV – with power supply connection
 Z303a.....wiring diagram of EA 2 with 3~ phase electric motor with reverse contactor (valid for UP 2-Ex)
 Z403b.....wiring diagram of torque and position switches
 Z404.....wiring diagram of the EA 2 with 1~ phase electric motor
 Z455d.....wiring diagram of electric motor with thrust and position switch and with space heater
 Z455c.....wiring diagram of electric motor with torque and position switch and with space heater and additional torque relay
 Z456.....wiring diagram of transmitter DCPT2 with power supply
 Z457.....wiring diagram of transmitter DCPT2 without power supply
 Z503connection of EA UP 1-Ex with electric motor 24 V DC
 Z503a.....connection of EA UP 2-Ex, UP 2.4-Ex and UP 2.5-Ex with electric motor 24 V DC
 Z507.....connection of EA UP 1-Ex with electric motor 24 V AC
 Z507a.....connection of EA UP 2-Ex, UP 2.4-Ex and UP 2.5-Ex with electric motor 24 V AC
 Z528.....wiring diagram of 1-phase electric motor with torque and position switch and with space heater and additional torque relay
 Z528a.....wiring diagram of 3-phase electric motor with thrust and position switch and with space heater and additional thrust relay (valid for UP 2-Ex)
 Z528b.....wiring diagram of 3-phase electric motor with contactors, with thrust and position switches and with space heater and additional thrust relay (valid for UP 2-Ex)
 Z528c.....wiring diagram of 3-phase electric motor with thrust and position switch and with space heater and additional thrust relay (valid for UP 1-Ex)
 Z581.....wiring diagram of 3-phase electric motor with contactors with thrust and position switch and with space heater for UP0-Ex
 Z581a.....wiring diagram of 3-phase electric motor with contactors with thrust and position switch and with space heater and additional torque relay for UP0-Ex
 Z575c.....wiring diagram of torque and position switches and local control
 Z575d.....wiring diagram of torque and position switches and local control.

B1.....resistive transmitter (potentiometer) single	Y..... brake of electric motor (valid for UP 2-Ex)
B2.....resistive transmitter (potentiometer) double	E1..... space heater
B3.....capacitive transmitter	K11,K12 coil of relay
S1..... torque switch "open"	KM1, KM2 reverse contactor (valid for EA UP 2-Ex, UP 2.4-Ex, UP 2.5-Ex)
S2..... torque switch "closed"	F1 electric motor thermal protection
S3..... position switch "open"	F2..... space heater thermal switch
S4..... position switch "closed"	X, X2 terminal board
S5..... additional position switch "open"	XC connector (is not valid for these types EA)
S6..... additional position switch "closed"	I/U..... output current (voltage) signal
ReS11relay of torque of switch S1	R..... reducing resistor (valid for EA UP0-Ex with voltage 230 VAC)
ReS12relay of torque of switch S2	R _L loading resistor
M, MS.....electric motor	
Ccapacitor	

Note 1: Thermal protection of single-phase electric motor (Z404) is standardly built-in in electric motor, on the neutral wire. In case of 3-phase EA, model UP 1-Ex thermal protection of the motor F1 is not leaded to the terminals 5 and 6 (thermal protection of electric motor is built-in). Thermal protection is leaded to the terminals 5 and 6 only at 3-phase electric motors of EA, model UP 2-Ex. The EA model UP 0-Ex is not provided with thermal protection of the motor.

Note 2: In case of version UP 1-Ex, UP 2-Ex, UP 2.4-Ex, UP 2.5-Ex equipped with the double resistance transmitter, terminal connectors 30 and 34 of the additional position switches have not been taken out.

Note 3: Torque switching is not fitted with mechanical interlocking device.

Note 4: For to EA version with supply voltage of 24 V AC an earthling cable PE is no necessary to by connected.

Note 5: Jumpers 12-19 and 16-23 terminal board in wiring diagram Z455d, Z455c, Z528a, Z528b are standardly delivered from the producer.

Note 6: Jumpers 2-11, 3-15, 12-19 and 16-23 terminal board in wiring diagram Z528 are standardly delivered from the producer.

7.2 Operation Logic Diagram of switches and relays

Switch	Terminal Nr.	open	Operating stroke	closed
S1	11 (M2) - 12			
	12 - 14*			
S2	15 (M3) - 16			
	16 - 18*			
S3	19 - 20			
	20 - 22			
S4	23 - 24			
	24 - 26			
S5	27 - 28			
	28 - 30			
S6	31 - 32			
	32 - 34			
ReS11	35 - 36			
	36 - 38			
ReS12	39 - 40			
	40 - 42			

 Contact connected

 Contact disconnected

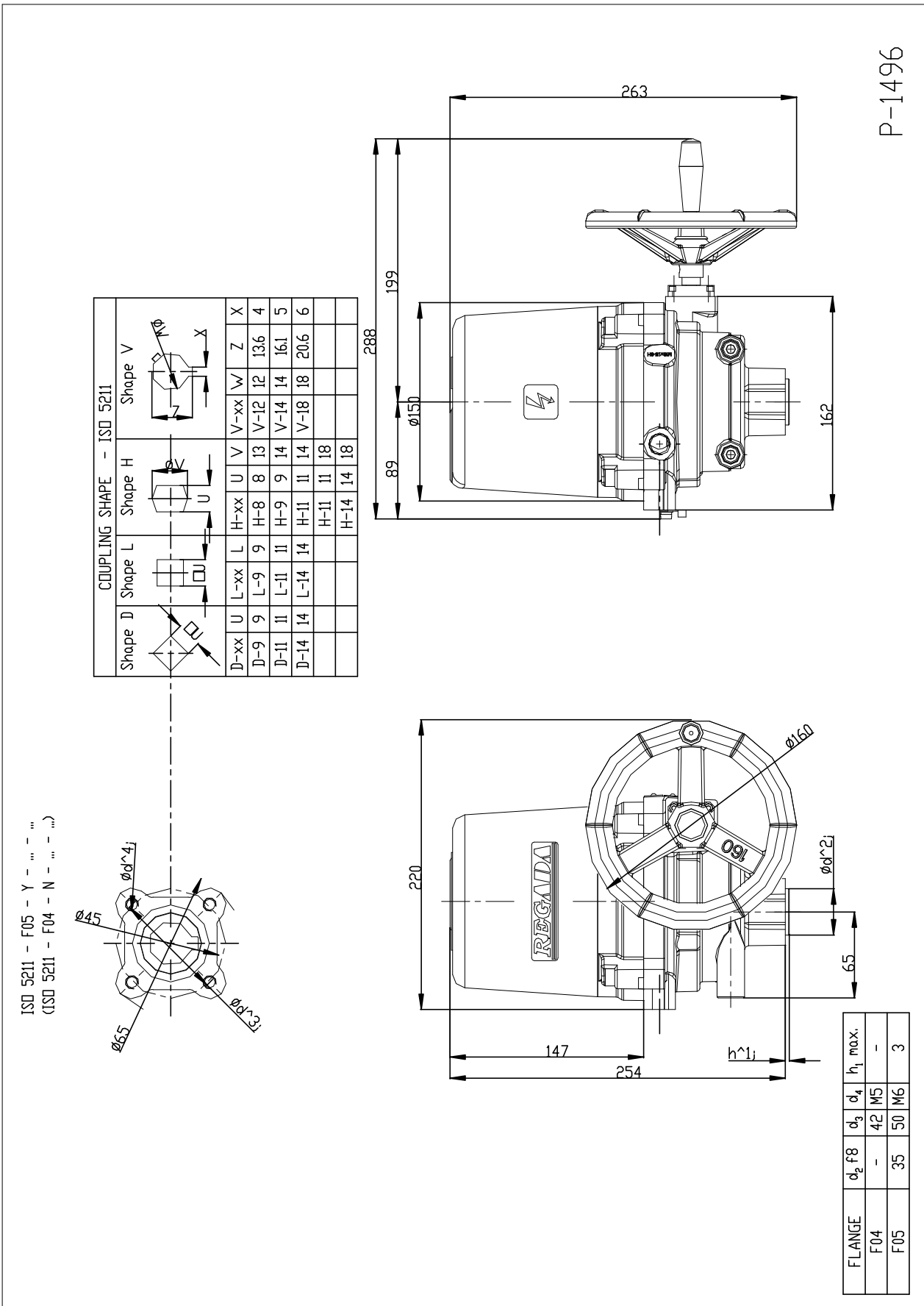
Note 1: Signaling from switches S5, S6 for EA UP 0-Ex, is possible from 50% of the maximum operating stroke adjusted (mentioned in the nameplate) before end position. If larger signaling range is required, it is possible to make use of the reversing function of the switches.

*Note 2: *- contacts 11,14 and 15,18 of switches S1 a S2 for EA model UP 0-Ex have not been taken out to the terminal board. For EA model UP 1-Ex, UP 2-Ex, UP 2.4-Ex, UP 2.5-Ex in wiring diagram Z528, Z528a and 528b contacts 14 and 18 have not been taken out.*

Note 3: Relay ReS11 switches simultaneously with switch S1 and relay ReS12 switches simultaneously with switch S2.

7.3 Dimensional drawings

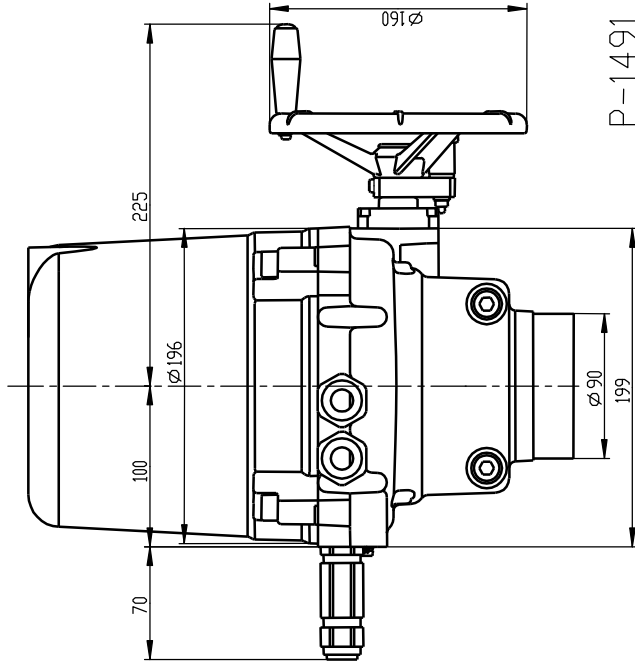
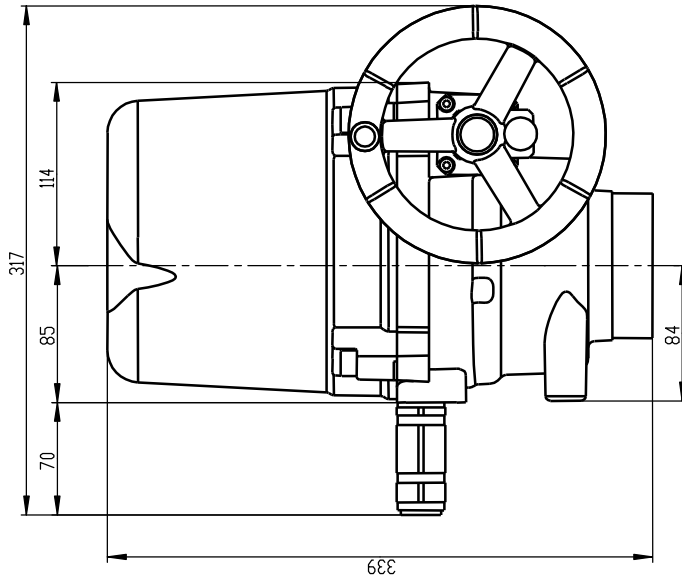
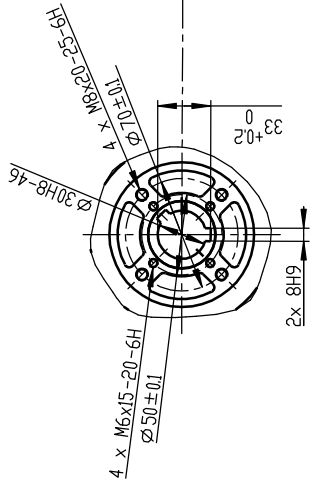
Explosion-proof electric part-turn actuators Unimact **UP0 - Ex** – flange connection ISO 5211



Explosion-proof electric part-turn actuators Unimact **UP 1-Ex** – flange connection DIN 3338

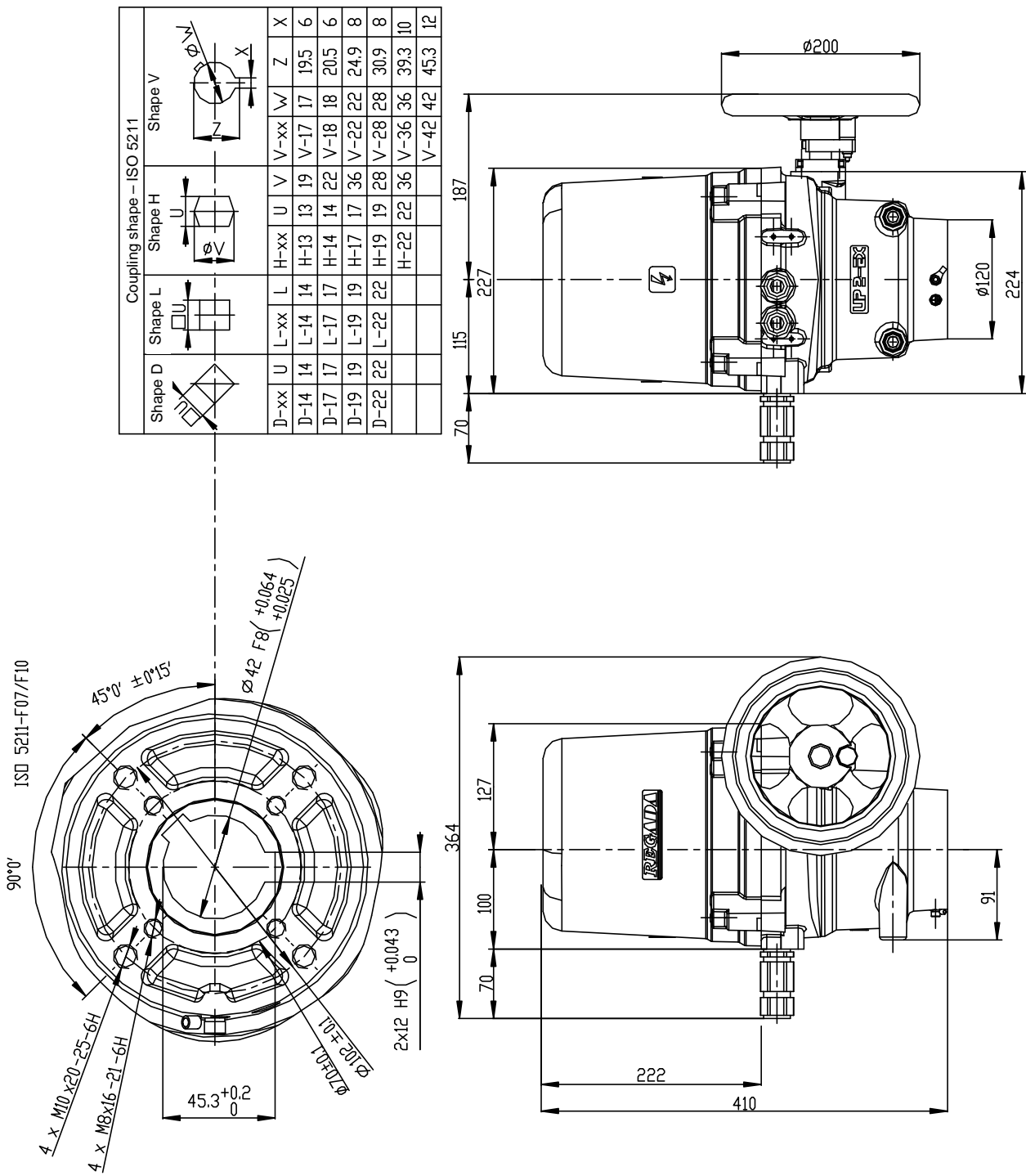
Coupling shape – ISO 5211

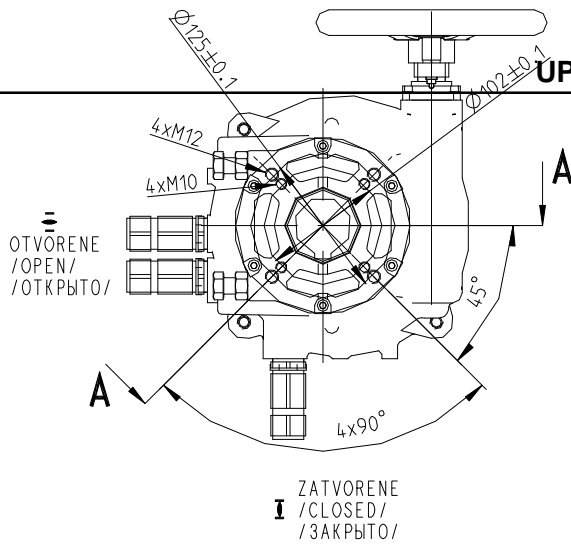
Shape D	Shape L	Shape H	Shape V
D-xx	U	H-xx	V-xx
D-14	L-17	H-14	V-30
D-17	L-22	H-11	V-33
D-11	L-11	H-8	
D-16	L-16	H-17	
D-9	L-9	H-13	
D-12	L-12	H-10	



Explosion-proof electric part-turn actuators Unimact **UP 2-Ex** – flange connection OST 26-07-763 typ M

P-1495

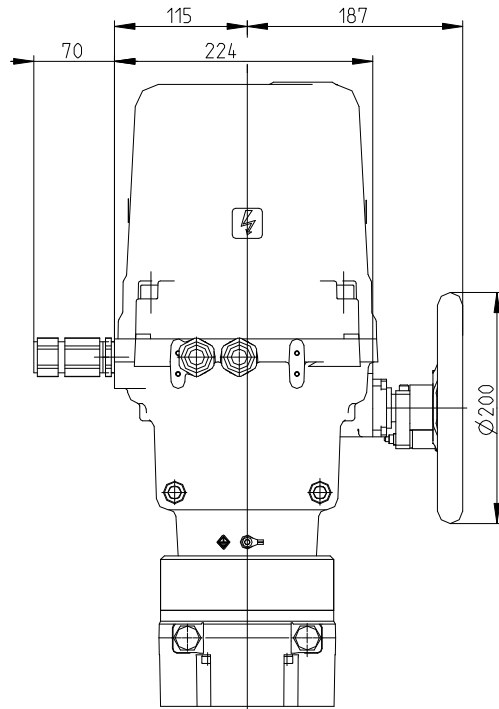
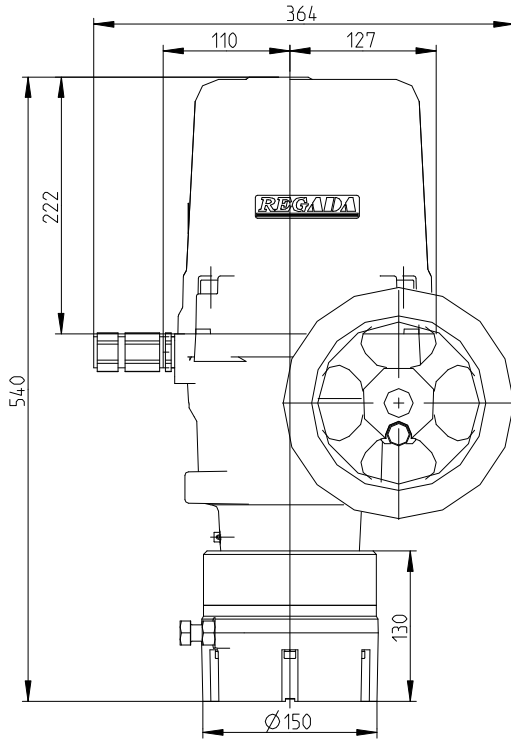
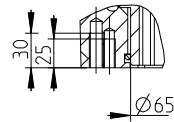




OTVORENE
/OPEN/
/ОТКРЫТО/

I ZATVORENE
/CLOSED/
/ЗАКРЫТО/

A-A



TVARY PŘIPOJKAČŮ DLE ČD

Typ Lxx (Axx)		Typ Lxx (Bxx)		Typ Hxx (Cxx)		Typ V (D11-D15)		Typ V-33 (D11)	
IKO	PRŮMĚR	IKO	PRŮMĚR	IKO	PRŮMĚR	IKO	PRŮMĚR	IKO	PRŮMĚR
D-14	A01 14	L-14	B01 14	H-14	C01 14	V	V-33	D01	30,0 32,5 40
D-17	A02 17	L-17	B02 17	H-17	C02 17	V-20	V-25	D02	22,0 24,5 40
D-27	A03 27	L-27	B03 27	H-27	C03 27	V-30	V-35	D03	32,0 35 40
D-27	A04 27	L-27	B04 27	H-27	C04 27	V-25	V-30	D04	17,0 19,5 40
D-41	A05 41	L-41	B05 41	H-41	C05 41	V-28	V-33	D05	28,0 30,9 40
D-38	A00 38	L-38	B01 38	H-38	C01 38	V-22	V-27	D06	47,0 47,1 12,1
				H-38	C07 38	V-22	V-27	D07	48,4 48,8 11,1
				H-37	C03 37	V-22	V-27	D08	50,0 50,5 14,1
				H-49	C03 49	V-20	V-25	D09	18,0 20,5 40
				H-19	C-10 10	V-30	D10	30,0 32,5 40	

P-2081

7.4 Guarantee service check report

Service center:	
Date of repair:	Guarantee repair no.:
User of actuator:	Claim applied by:
Actuator type number:	Actuator production number:
Product claim fault:	Detected product fault:
Used spare parts:	
Remarks:	
Issued on a day:	Signature:

7.5 Post guarantee service check report

Service center:	
Date of repair:	
User of actuator:	Actuator operating place :
Actuator type number:	Actuator production number:
Detected product fault:	
Used spare parts:	
Remarks:	
Issued on a day:	Signature:

7.6 Commercial representation

Slovak Republic:

Regada, s.r.o.,
Strojnícka 7,
080 01 Prešov
Tel.: +421 (0)51 7480 460,
Fax: +421 (0)51 7732 096,
E-mail: regada@regada.sk