



52 400. x - x x x x x / x x

		44) 45)			
c	S1/S2 S3/S4  S13/S14	10 ÷ 100	16	Z461+Z41a	B
			25		D
			32		E
			40		F
			50		G
			64		H
			80		J
			100		K

		-	-	-	A		
		-	1 x 100	Z5a	B		
			1 x 2 000		F		
		-	2 x 100	Z6a	K		
			2 x 2 000		P		
R/I		2-	4 - 20 mA	Z10a	S		
			3-	0 - 20 mA	Z257b	T	
		4 - 20 mA		V			
		0 - 5 mA		Y			
		2-	4 - 20 mA	Z269a	Q		
			3-	0 - 20 mA	Z260a	U	
				4 - 20 mA		W	
				0 - 5 mA		Z	
			CPT		2-	4 - 20 mA	Z10a
		Z269a				J	

		62)					
				25 kN	25 - 36 kN		
	30/100/-	M20x1,5	P-1403a/A	P-1400a/A	P-1405a/A	A	
	74/100/-		P-1403a/B	P-1400a/B	P-1405a/B	B	
	130/100/-		P-1403a/C	P-1400a/C	P-1405a/C	C	
	50/40/-		-	P-1400a/D	-	D	
	60/60/-		-	P-1400a/E	P-1405a/E	E	
	112/100/ ø80		M16x1,5	P-1401a/A	P-1402a/A	-	L
	110/100/ ø65.15			P-1401a/B	P-1402a/B	-	M
	110/100/ ø70			-	P-1402a/C	-	N
	110/100/ ø85		M14x2	-	P-1402a/D	-	P
	130/100/ ø88 - 25 kN		M10x1 <sup>61)</sup>	P-2042/A	P-2044/C	P-2044/A	3
150/100/ ø88 - 25 kN	P-2042/B	P-2044/D		P-2044/B	4		
4	30/100/-	7/8-UN-9	P-2020/A	P-2019/A	P-2019/F	K	
	74/100/-		P-2020/B	P-2019/B	P-2019/G	Q	
	130/100/-		P-2020/C	P-2019/C	P-2019/H	R	
	50/40/-		-	P-2019/D	-	S	
	60/60/-		-	P-2019/E	P-2019/I	T	
	110/100/ ø80		1.1/8" UNC	P-2021/A	P-2022/A	P-2022/E	U
	110/100/ ø65.15			P-2021/B	P-2022/B	P-2022/F	V
	110/100/ ø70			P-2021/C	P-2022/C	P-2022/G	W
	110/100/ ø85			P-2021/D	P-2022/D	P-2022/H	Y
	70/100/-			M48x3	P-2018	P-2017	-

					0	1
B					0	3
C					0	4
F		3	155°C	Z279c, Z297b	0	5
G	70)		S13/S14	Z412d+Z41a	1	5
H					4	0

B+C=06, B+F=07, C+F=08, B+C+F=09, G+B=16, G+C=17, G+F=18, G+B+C=19, G+B+F=20, G+C+F=21, G+B+C+F=22

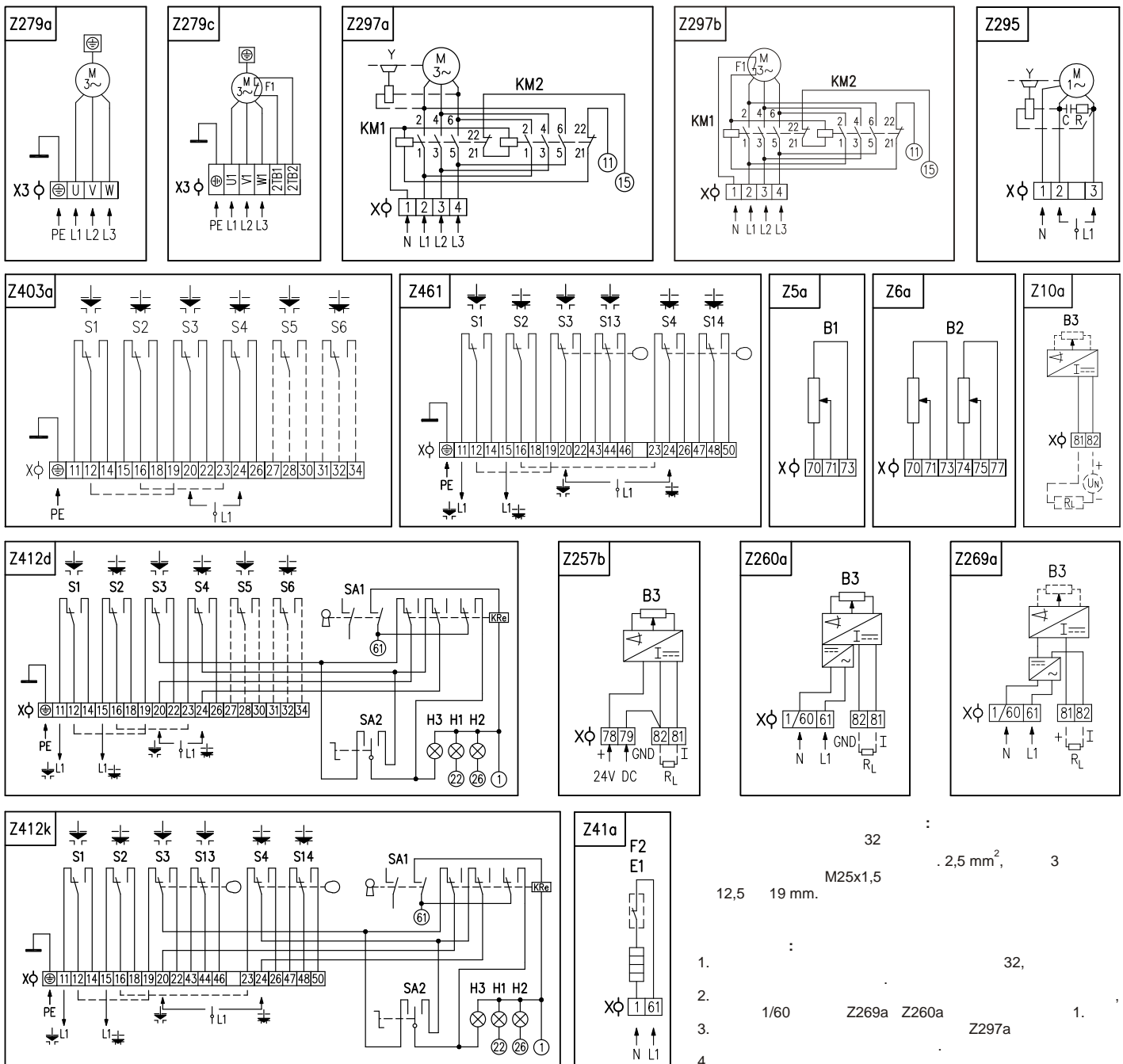
- 10) « » .2.
- 11)
- 12) ISO 9223 / EN ISO 12944-2.
- 21) -40°
- 25) (3x500; 3x480; 3x415 V AC).
- 32)
- +40 °C +55 °C
- 1.3
- 33)
  - 0.8 S2-15 a S4-25% 90 /
  - 0.6 S4-25%, 90-1200 /
- 35) 3x400 VAC 230 VAC.
- 36) 25 - 36 kN, 80mm.
- 39) O
- 44) S3, S4
- 61) 25 kN.
- 62)
- 70) M -25° C.

IP67.

0,87.

xo 75%,

MT 3



- 32
- 12,5 19 mm. M25x1,5 . 2,5 mm<sup>2</sup>, 3
- 1. 32,
- 2. 1/60 Z269a Z260a
- 3. Z297a
- 4. 1.

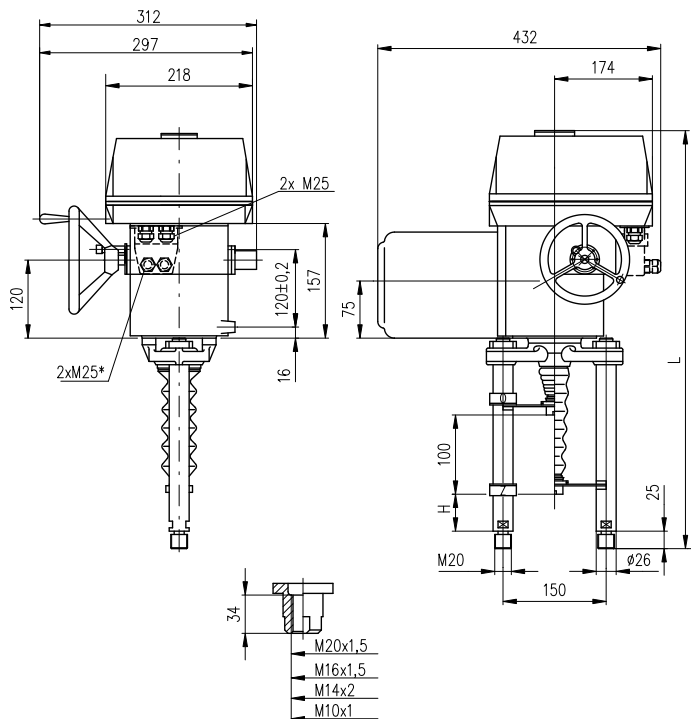
Z5a ..... c  
 Z6a .....  
 Z10a ..... CPT - 2-  
 Z41a .....  
 Z257b ..... , 3-  
 Z260a ..... , 3-  
 Z269a ..... , 2-  
 Z279a .....  
 Z279c .....  
 Z295 .....  
 Z297a .....  
 Z297b .....  
 Z403a .....  
 Z412d .....  
 Z461 ..... -  
 Z412k ..... -

B1 ..... p  
 B2 ..... p  
 B3 .....  
 S1 ..... " "  
 S2 ..... " "  
 S3 ..... " "  
 S4 ..... " "  
 S5 ..... " "  
 S6 ..... " "  
 S13 ..... - " "  
 S14 ..... - " "  
 M .....  
 Y ..... ( )  
 E1 .....  
 F1 .....  
 F2 .....  
 X .....  
 X3 .....  
 I .....  
 R .....  
 R<sub>L</sub> .....  
 KM1, KM2..... e



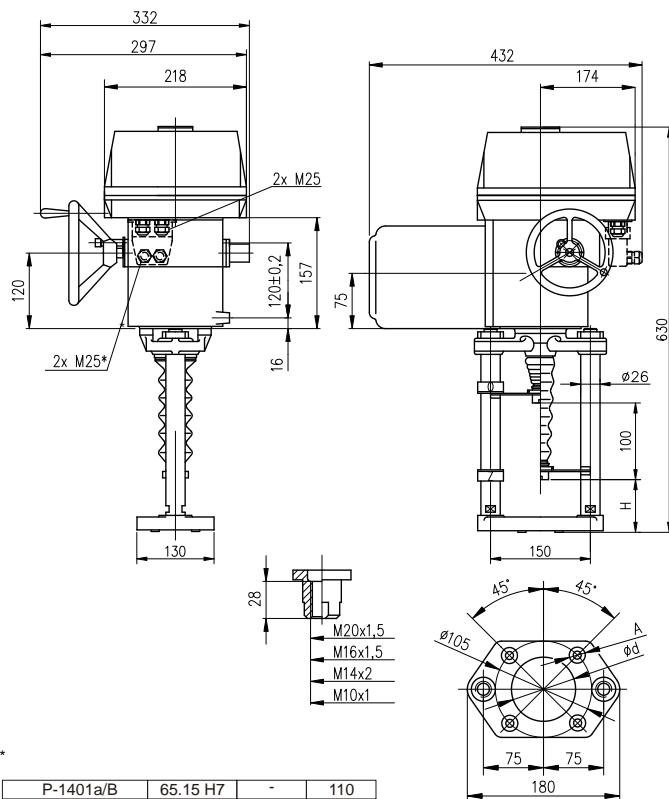
Large grid area for writing or drawing.

MT 3



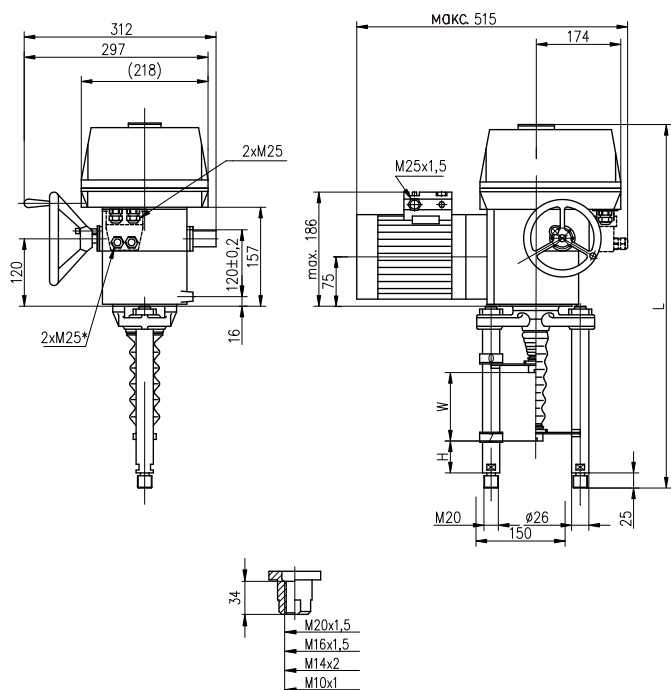
P-1403a/C	130	710
P-1403a/B	74	630
P-1403a/A	30	586
	H	L

P-1403a



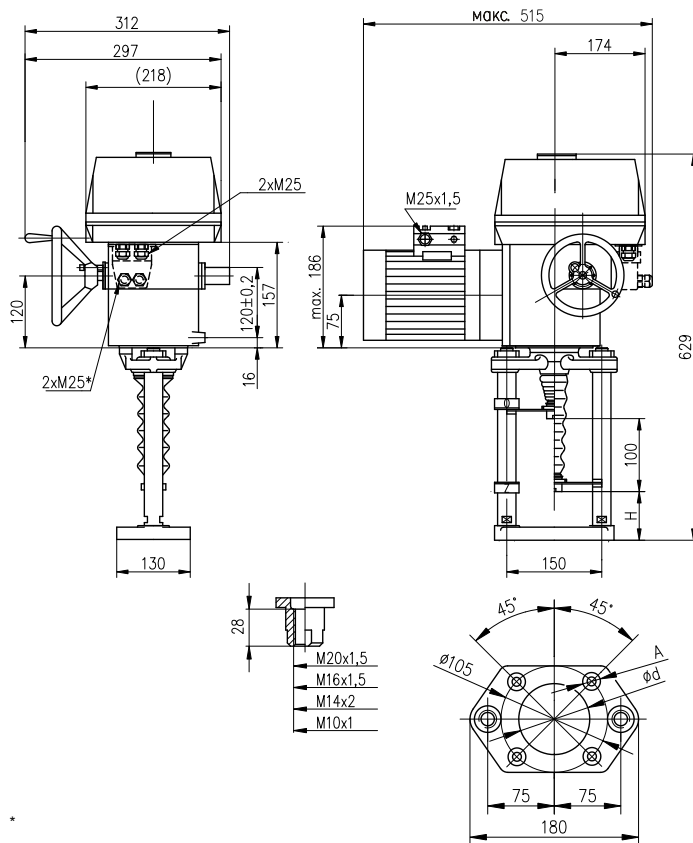
P-1401a/B	65.15 H7	-	110
P-1401a/A	80 H8	4x Ø13	112
	Ød	A	H

P-1401a



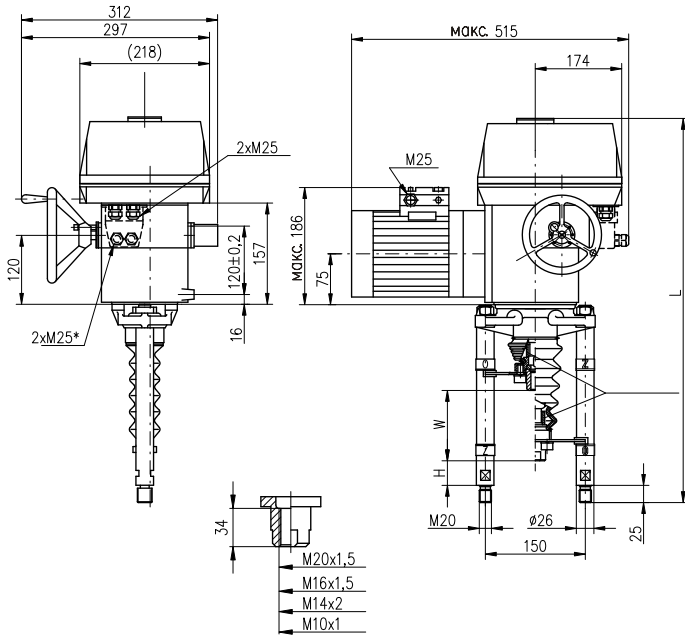
P-1400a/E	60	551	60
P-1400a/D	50	551	40
P-1400a/C	130	686	100
P-1400a/B	74	630	100
P-1400a/A	30	586	100
	H	L	W

P-1400a



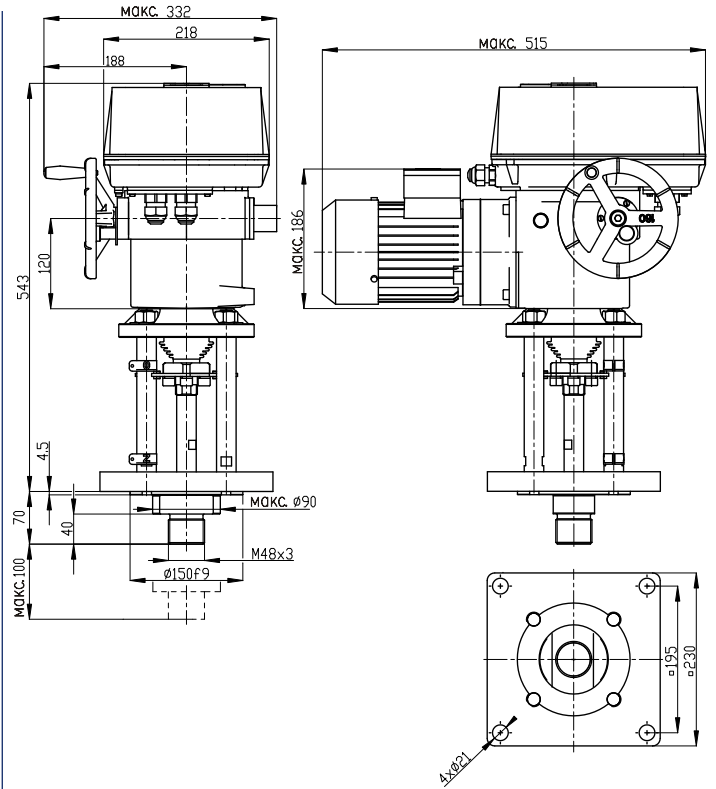
P-1402a/D	85 H12	-	110
P-1402a/C	70 H12	-	110
P-1402a/B	65.15 H7	-	110
P-1402a/A	80 H8	4x Ø13	112
	Ød	A	H

P-1402a

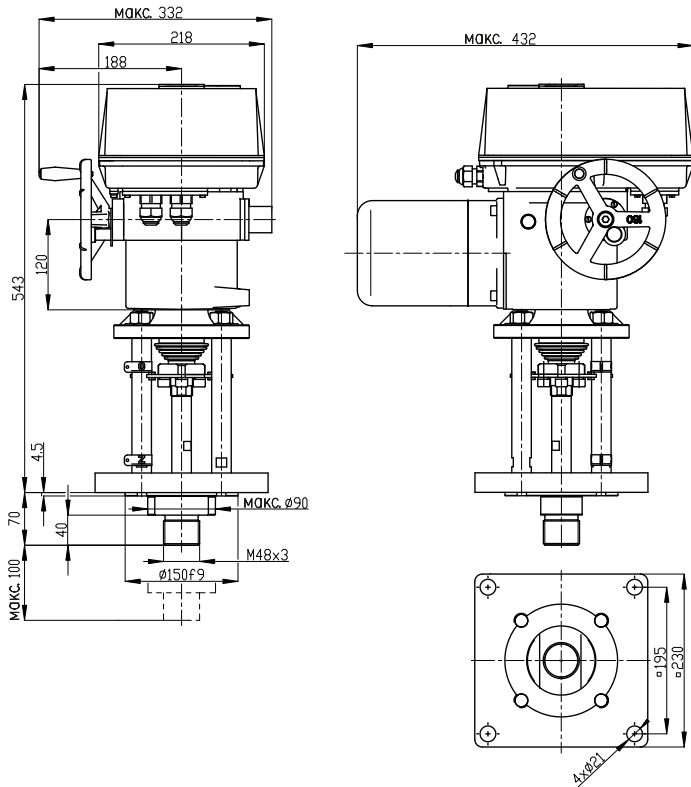


P-1405a/E	60	567	60
P-1405a/C	130	692	80
P-1405a/B	74	636	80
P-1405a/A	30	591	80
	H	L	W

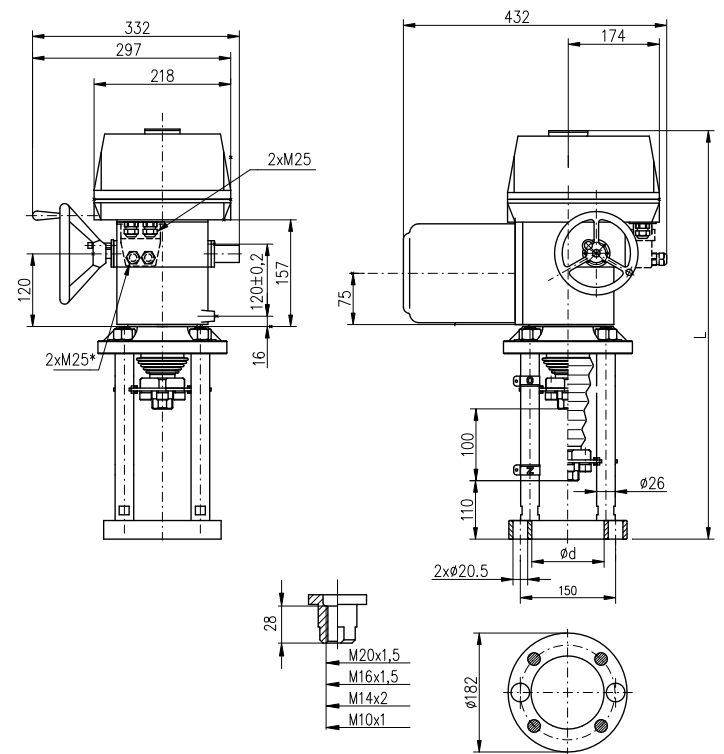
P-1405a



P-2017

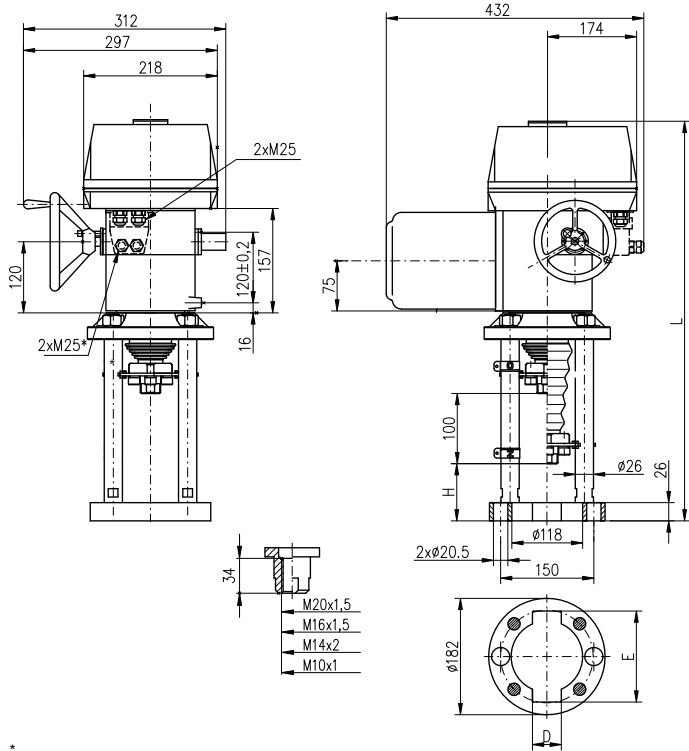


P-2018



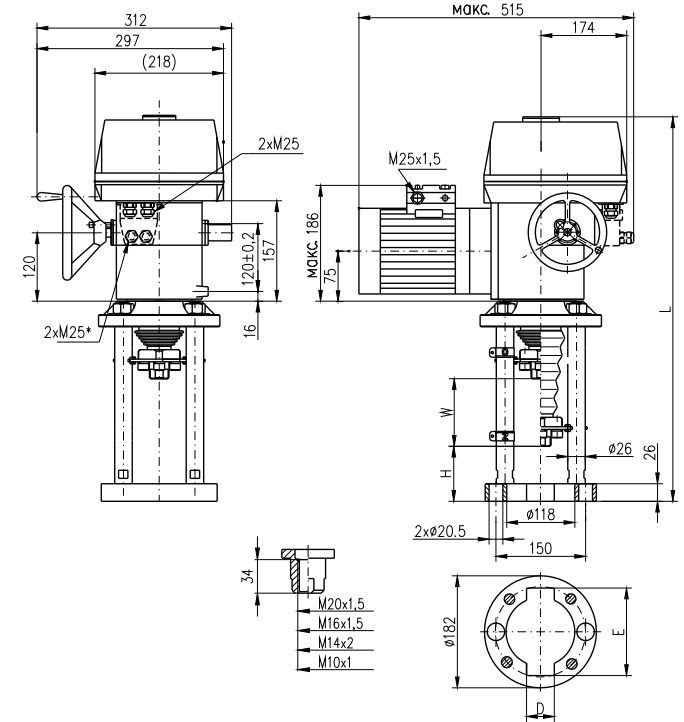
P-2021/D	85 H12	629
P-2021/C	80 H12	
P-2021/B	70 H12	
P-2021/A	65.15 H7	
Vyhotovenie (Version)	d	L

P-2021



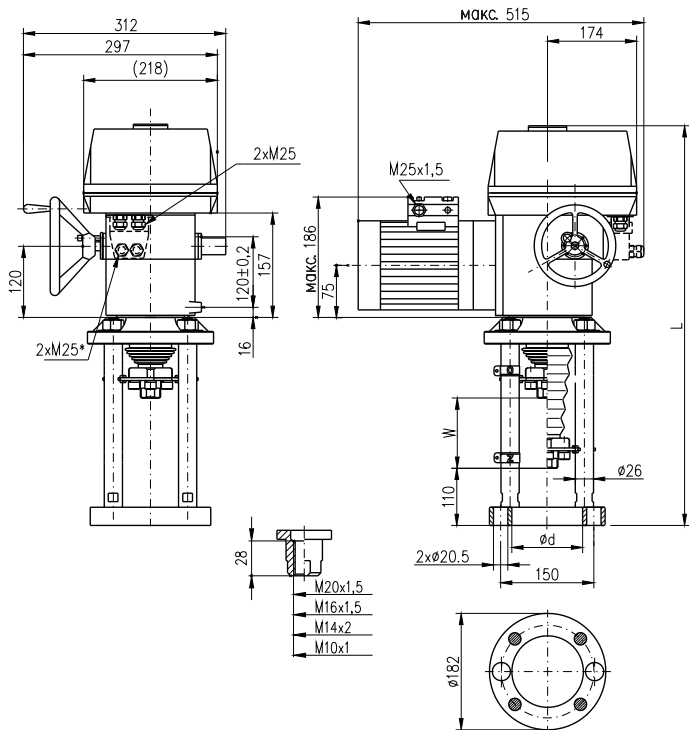
P-2020/C	130	685	-	-
P-2020/B	74	605	52	146
P-2020/A	30	561	-	-
	H	L	D	E

P-2020



P-2019/I	60	541	60	-	-	36 kN
P-2019/H	130	666	80	-	-	
P-2019/G	74	610	80	52	146	
P-2019/F	30	565	80	-	-	
P-2019/E	60	526	60	-	-	25 kN
P-2019/D	50	526	40	-	-	
P-2019/C	130	660	100	-	-	
P-2019/B	74	605	100	52	146	
P-2019/A	30	561	100	-	-	
	H	L	W	D	E	

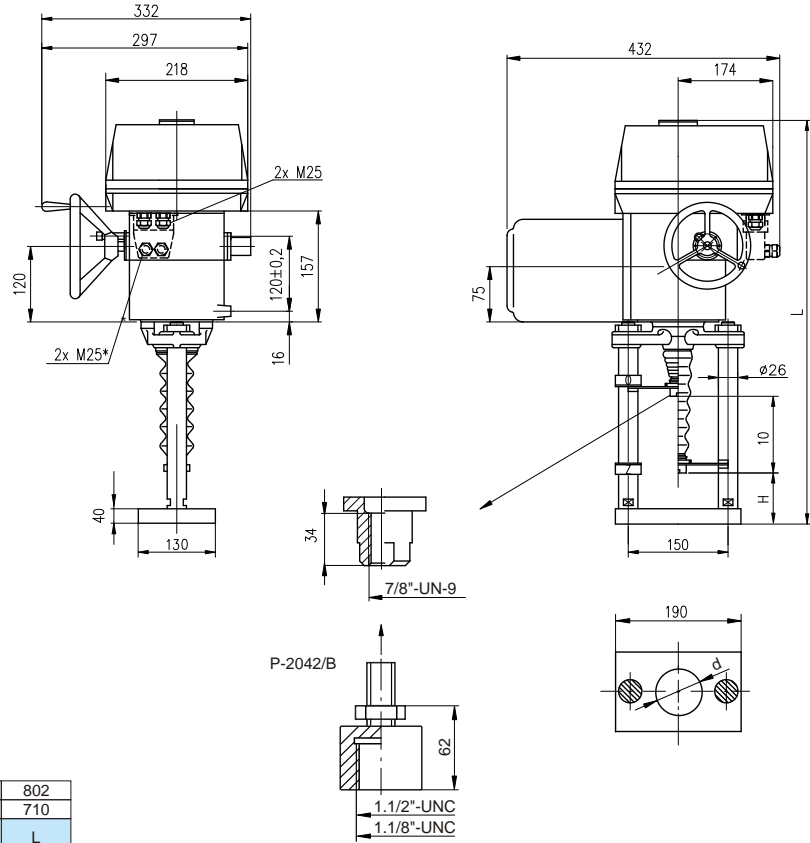
P-2019



P-2022/H	644	80	85 H12	36 kN
P-2022/G			80 H12	
P-2022/F			70 H12	
P-2022/E	629	100	65.15 H7	25 kN
P-2022/D			85 H12	
P-2022/C			80 H12	
P-2022/B			70 H12	
P-2022/A			65.15 H7	
	L	W	d	

P-2022

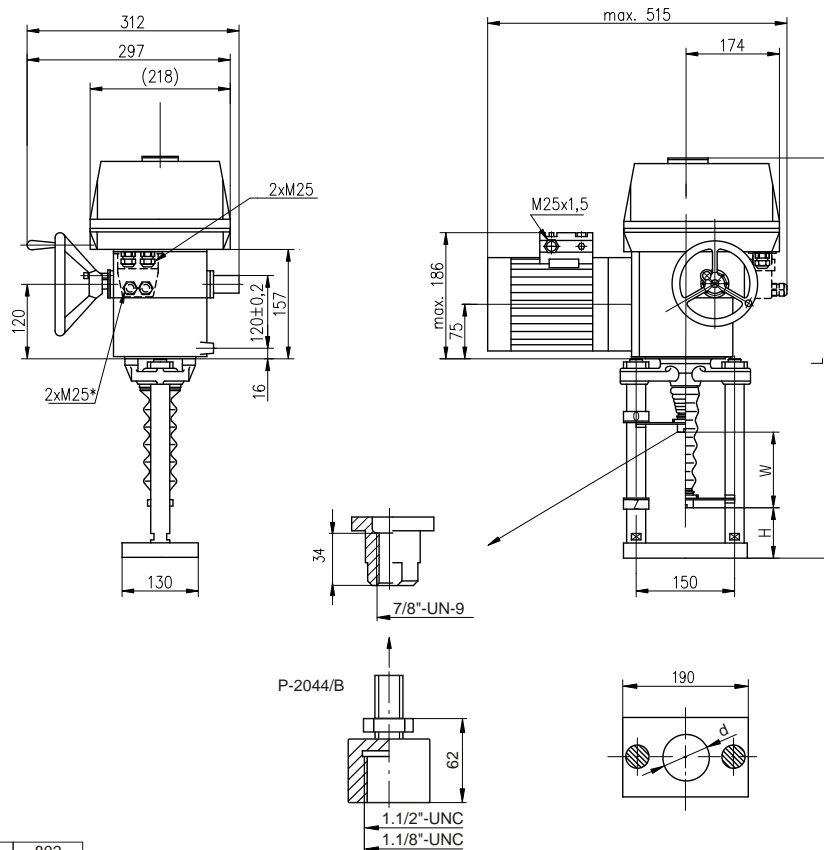
220, 230 V AC



P-20xx/B	88 H8	160	802
P-20xx/A	88 H8	130	710
	$\phi d$	H	L

P-2042

3x380, 3x400 V AC



P-20yy/B	88 H8	160	802
P-20yy/A	88 H8	130	710
	$\phi d$	H	L

P-2044